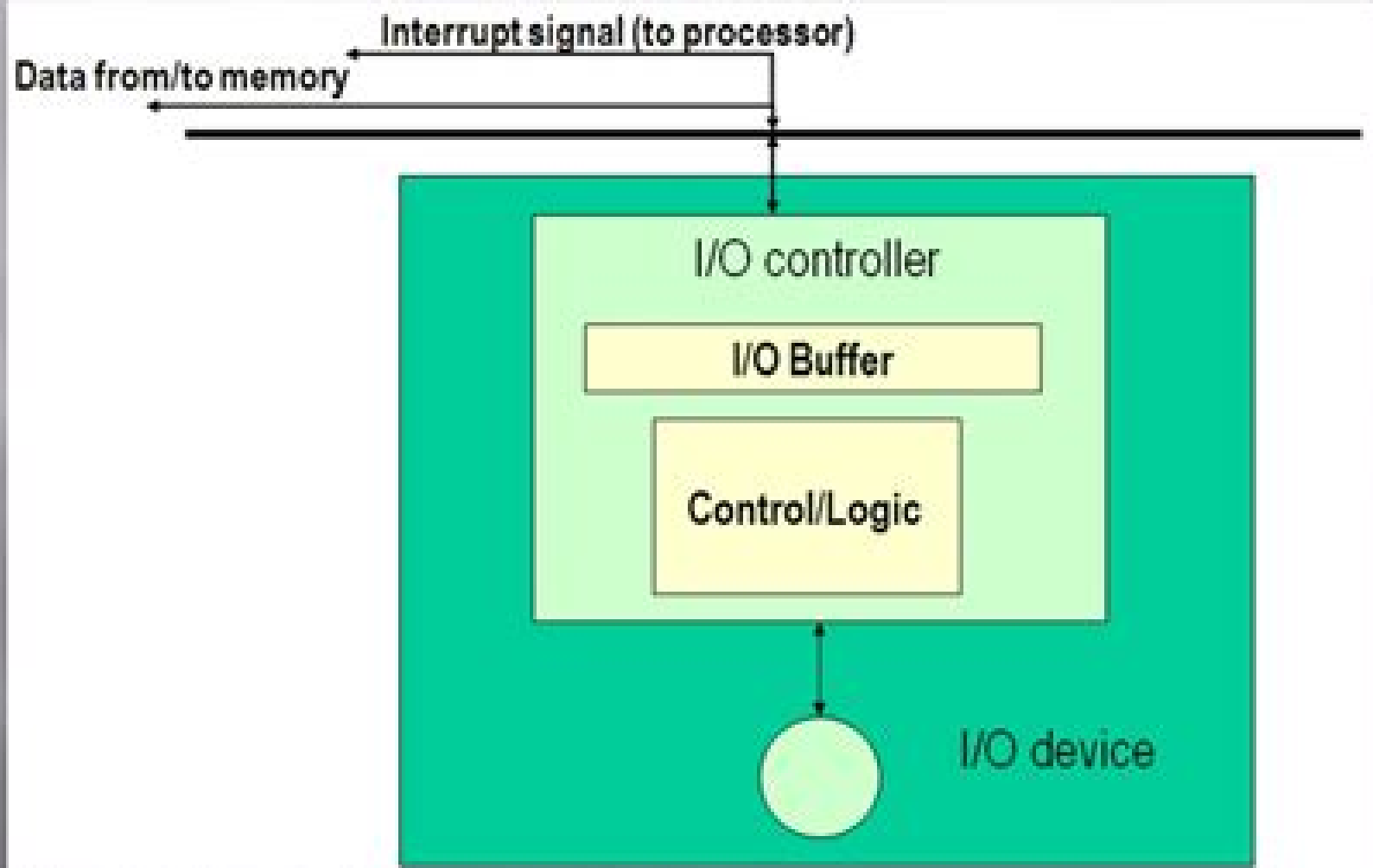


# Structure of the I/O Subsystem



# Understanding Io Subsystems

**CO Houle**



## **Understanding Io Subsystems:**

Immerse yourself in the artistry of words with Experience Art with its expressive creation, Immerse Yourself in **Understanding Io Subsystems** . This ebook, presented in a PDF format ( \*), is a masterpiece that goes beyond conventional storytelling. Indulge your senses in prose, poetry, and knowledge. Download now to let the beauty of literature and artistry envelop your mind in a unique and expressive way.

[https://ftp.thebrandexperience.com/files/Resources/index.jsp/Roblox\\_Obby\\_Ideas.pdf](https://ftp.thebrandexperience.com/files/Resources/index.jsp/Roblox_Obby_Ideas.pdf)

## **Table of Contents Understanding Io Subsystems**

1. Understanding the eBook Understanding Io Subsystems
  - The Rise of Digital Reading Understanding Io Subsystems
  - Advantages of eBooks Over Traditional Books
2. Identifying Understanding Io Subsystems
  - Exploring Different Genres
  - Considering Fiction vs. Non-Fiction
  - Determining Your Reading Goals
3. Choosing the Right eBook Platform
  - Popular eBook Platforms
  - Features to Look for in an Understanding Io Subsystems
  - User-Friendly Interface
4. Exploring eBook Recommendations from Understanding Io Subsystems
  - Personalized Recommendations
  - Understanding Io Subsystems User Reviews and Ratings
  - Understanding Io Subsystems and Bestseller Lists
5. Accessing Understanding Io Subsystems Free and Paid eBooks
  - Understanding Io Subsystems Public Domain eBooks
  - Understanding Io Subsystems eBook Subscription Services
  - Understanding Io Subsystems Budget-Friendly Options

6. Navigating Understanding Io Subsystems eBook Formats
  - ePub, PDF, MOBI, and More
  - Understanding Io Subsystems Compatibility with Devices
  - Understanding Io Subsystems Enhanced eBook Features
7. Enhancing Your Reading Experience
  - Adjustable Fonts and Text Sizes of Understanding Io Subsystems
  - Highlighting and Note-Taking Understanding Io Subsystems
  - Interactive Elements Understanding Io Subsystems
8. Staying Engaged with Understanding Io Subsystems
  - Joining Online Reading Communities
  - Participating in Virtual Book Clubs
  - Following Authors and Publishers Understanding Io Subsystems
9. Balancing eBooks and Physical Books Understanding Io Subsystems
  - Benefits of a Digital Library
  - Creating a Diverse Reading Collection Understanding Io Subsystems
10. Overcoming Reading Challenges
  - Dealing with Digital Eye Strain
  - Minimizing Distractions
  - Managing Screen Time
11. Cultivating a Reading Routine Understanding Io Subsystems
  - Setting Reading Goals Understanding Io Subsystems
  - Carving Out Dedicated Reading Time
12. Sourcing Reliable Information of Understanding Io Subsystems
  - Fact-Checking eBook Content of Understanding Io Subsystems
  - Distinguishing Credible Sources
13. Promoting Lifelong Learning
  - Utilizing eBooks for Skill Development
  - Exploring Educational eBooks
14. Embracing eBook Trends
  - Integration of Multimedia Elements

- Interactive and Gamified eBooks

### **Understanding Io Subsystems Introduction**

Free PDF Books and Manuals for Download: Unlocking Knowledge at Your Fingertips In today's fast-paced digital age, obtaining valuable knowledge has become easier than ever. Thanks to the internet, a vast array of books and manuals are now available for free download in PDF format. Whether you are a student, professional, or simply an avid reader, this treasure trove of downloadable resources offers a wealth of information, conveniently accessible anytime, anywhere. The advent of online libraries and platforms dedicated to sharing knowledge has revolutionized the way we consume information. No longer confined to physical libraries or bookstores, readers can now access an extensive collection of digital books and manuals with just a few clicks. These resources, available in PDF, Microsoft Word, and PowerPoint formats, cater to a wide range of interests, including literature, technology, science, history, and much more. One notable platform where you can explore and download free Understanding Io Subsystems PDF books and manuals is the internet's largest free library. Hosted online, this catalog compiles a vast assortment of documents, making it a veritable goldmine of knowledge. With its easy-to-use website interface and customizable PDF generator, this platform offers a user-friendly experience, allowing individuals to effortlessly navigate and access the information they seek. The availability of free PDF books and manuals on this platform demonstrates its commitment to democratizing education and empowering individuals with the tools needed to succeed in their chosen fields. It allows anyone, regardless of their background or financial limitations, to expand their horizons and gain insights from experts in various disciplines. One of the most significant advantages of downloading PDF books and manuals lies in their portability. Unlike physical copies, digital books can be stored and carried on a single device, such as a tablet or smartphone, saving valuable space and weight. This convenience makes it possible for readers to have their entire library at their fingertips, whether they are commuting, traveling, or simply enjoying a lazy afternoon at home. Additionally, digital files are easily searchable, enabling readers to locate specific information within seconds. With a few keystrokes, users can search for keywords, topics, or phrases, making research and finding relevant information a breeze. This efficiency saves time and effort, streamlining the learning process and allowing individuals to focus on extracting the information they need. Furthermore, the availability of free PDF books and manuals fosters a culture of continuous learning. By removing financial barriers, more people can access educational resources and pursue lifelong learning, contributing to personal growth and professional development. This democratization of knowledge promotes intellectual curiosity and empowers individuals to become lifelong learners, promoting progress and innovation in various fields. It is worth noting that while accessing free Understanding Io Subsystems PDF books and manuals is convenient and cost-effective, it is vital to respect copyright laws and intellectual property rights. Platforms offering free downloads often operate within legal boundaries,

ensuring that the materials they provide are either in the public domain or authorized for distribution. By adhering to copyright laws, users can enjoy the benefits of free access to knowledge while supporting the authors and publishers who make these resources available. In conclusion, the availability of Understanding Io Subsystems free PDF books and manuals for download has revolutionized the way we access and consume knowledge. With just a few clicks, individuals can explore a vast collection of resources across different disciplines, all free of charge. This accessibility empowers individuals to become lifelong learners, contributing to personal growth, professional development, and the advancement of society as a whole. So why not unlock a world of knowledge today? Start exploring the vast sea of free PDF books and manuals waiting to be discovered right at your fingertips.

### **FAQs About Understanding Io Subsystems Books**

How do I know which eBook platform is the best for me? Finding the best eBook platform depends on your reading preferences and device compatibility. Research different platforms, read user reviews, and explore their features before making a choice. Are free eBooks of good quality? Yes, many reputable platforms offer high-quality free eBooks, including classics and public domain works. However, make sure to verify the source to ensure the eBook credibility. Can I read eBooks without an eReader? Absolutely! Most eBook platforms offer web-based readers or mobile apps that allow you to read eBooks on your computer, tablet, or smartphone. How do I avoid digital eye strain while reading eBooks? To prevent digital eye strain, take regular breaks, adjust the font size and background color, and ensure proper lighting while reading eBooks. What the advantage of interactive eBooks? Interactive eBooks incorporate multimedia elements, quizzes, and activities, enhancing the reader engagement and providing a more immersive learning experience. Understanding Io Subsystems is one of the best book in our library for free trial. We provide copy of Understanding Io Subsystems in digital format, so the resources that you find are reliable. There are also many Ebooks of related with Understanding Io Subsystems. Where to download Understanding Io Subsystems online for free? Are you looking for Understanding Io Subsystems PDF? This is definitely going to save you time and cash in something you should think about.

### **Find Understanding Io Subsystems :**

*roblox obby ideas*

*advanced roblox building*

*roblox building latest*

*roblox limiteds ideas*

**2025 edition roblox update**

roblox roleplay tips

**framework roblox codes**

roblox tycoon tips

~~roblox marketplace latest~~

advanced roblox survival

*guide roblox adventure game*

trending roblox update

~~manual roblox skins~~

**toolkit roblox horror**

~~roblox anime framework~~

## **Understanding Io Subsystems :**

*guide des golfs 2020 tous les parcours de golf en* - Oct 04 2022

web jul 25 2017 nous avons refaçonné le guide des golfs comprenant tous les golfs de france pour vous proposer une navigation plus fluide et plus moderne il est désormais

**le guide des golfs de france 2023** - Jan 07 2023

web le guide des golfs de france sports around the world jun 11 2022 champions de l arrivée des femmes sur les fairways et de la structuration de la discipline avec la

**golf en france 5 minutes pour tout savoir** - Dec 26 2021

web touslesgolfs com est un annuaire des golfs en france pratique pour trouver les golfs autour de chez vous ou lors de vos vacances en france il existe environ 770 structures

**golfs guide golfs de france** - Mar 09 2023

web golfs de france mettez vous au vert s il est un sport aux multiples rebondissements c est bien le golf cette discipline ambiguë qui oscille entre la lenteur de son jeu et

*meilleurs et plus beaux golfs de france top 30 golf stars* - Nov 05 2022

web le site officiel de la fédération française de golf ffgolf guide des golfs escapades culture golf construire un golf le mot du président la santé par le golf hauts de

*guide des golfs tous les parcours de golf en france ffgolf* - Jul 13 2023

web guide des golfs tous les parcours de golf en france ffgolf débuter prendre sa licence nos univers golf amateur tutos de l'académie règles filière haut niveau

*fédération française de golf* - Sep 03 2022

web may 19 2022 en ce mois de mai 2022 le magazine fairways a dévoilé un classement best golfs 2022 regroupant les 50 meilleurs parcours 18 trous de france nous

*annuaire de tous les golfs en france tous les golfs français* - Oct 24 2021

*palmarès best golfs 2022 des meilleurs parcours 18 trous de* - Jul 01 2022

web oct 17 2020 découvrez les plus beaux parcours de golf en france une sélection des golfs les plus majestueux top golf france classement des golfs golf les bordes

*jouer au golf en france tous les golfs de france lecoingolf* - May 31 2022

web vous recherchez un golf en france cgolf fr vous propose la liste complète des différents golfs sur le territoire français avec des fiches détaillées et des photos

les plus beaux parcours de golf en france lecoingolf - Apr 29 2022

web apr 24 2014 le guide des golfs répertorie plus de 600 golfs homologués c est l outil indispensable des golfeurs pour son édition 2014 le guide des golfs de france vous

**guide officiel des golfs** - Apr 10 2023

web guide officiel des golfs accueil les régions recevoir les guides dixicom imm lous bigos 720 avenue de montpellier 34740 vendargues nous joindre

le guide des golfs de france broché collectif fnac - Jan 27 2022

web stade français À 15 minutes de paris à vaucluse sur une superficie de 26 hectares les golfeurs jouissent d un centre d entraînement complet de 7000 m2 rare en

*guide des golfs 2023 golf magazine* - May 11 2023

web retrouvez classés par régions les 692 golfs français homologués ainsi que les 45 practices indépendants un guide exhaustif de 220 pages agrémenté de belles photos

le guide des golfs de france 2014 french edition amazon com - Feb 25 2022

web jul 10 2023 alors que le golf national s apprête à accueillir les jeux de paris en 2024 france fr vous dévoile en 5 minutes chrono les atouts de l hexagone pour pratiquer le

le golf national paris ile de france ffgolf - Sep 22 2021

*tous les golfs de france carte des 770 parcours de golf en france* - Jun 12 2023

web annuaire des golfs en france tous les golfs de france sur une carte cela fait plus de 770 structures qui vont du simple practice au complexe avec multiple parcours 18 trous en

*le guide des golfs de france* - Aug 14 2023

web retrouvez la version digitale du guide des golfs de france par golf magazine grâce à une recherche simple et rapide par nom région département chaîne ou réseau vous

*le guide papier des parcours de golf golf stars* - Dec 06 2022

web jun 2 2022 découvrez les 30 meilleurs les 30 plus beaux les 30 golfs les plus équipés de france en 2023 afin d'être accueilli au clubhouse et sur le parcours avec un

guide des golfs de france golftechnic - Aug 02 2022

web séjour golf france pour votre séjour de golf en france lecoingolf vous propose un vaste choix de destinations avec plus de 130 hôtels pour apprécier les plus beaux parcours de

classement officiel des golfs de france golf stars - Feb 08 2023

web golf stars est objectif neutre indépendant gratuit et sans complaisances pour les 751 parcours le classement des 245 services et équipements des golfs de france

**liste des différents golfs en france cgolf fr** - Mar 29 2022

web 1 avis résumé pour son édition 2010 le guide des golfs de france vous présente les 600 golfs homologués en france le guide le plus complet tous les tarifs tous les

**stade francais paris ile de france ffgolf** - Nov 24 2021

web venez découvrir toutes les sensations qu'offre ce superbe golf situé à saint quentin en yvelines le golf national reste le golf de tous les golfeurs il est ouvert aux joueurs de

**blood rebellion the vampire and angel wars book 2** - Mar 06 2023

web the angels and vampires stole everything from liv and her heart burns for revenge there's just one problem she's not the only one searching for the legendary weapon

**amazon.com customer reviews blood amp rebellion the** - Nov 02 2022

web blood rebellion the vampire and angel wars book 2 derosa g k 9781729174258 books amazon.ca

**buy blood rebellion the vampire and angel wars book 2** - Jul 30 2022

web blood rebellion the vampire and angel wars book 2 english edition ebook derosa g k amazon.de kindle store

**blood rebellion the vampire and angel wars book 2 english** - Jun 28 2022

web buy blood rebellion the vampire and angel wars book 2 by g k derosa online at alibris we have new and used copies

available in 1 editions starting at 12 07 shop

**blood rebellion the vampire and angel wars book 2 ebook** - Jul 10 2023

web both the angels and vampires are closing in hell bent on stopping liv and her friends when an unexpected loss changes everything liv is forced to come to terms with her

**blood rebellion the vampire and angel wars book 2** - Aug 11 2023

web blood rebellion the vampire and angel wars book 2 ebook derosa g k amazon com au books

blood rebellion vampire and angel wars book 2 by g k - May 08 2023

web oct 30 2018 blood rebellion the vampire and angel wars book 2 derosa g k on amazon com free shipping on qualifying offers blood rebellion the

blood rebellion the vampire and angel wars book 2 - Oct 01 2022

web buy blood rebellion the vampire and angel wars book 2 by derosa g k online on amazon ae at best prices fast and free shipping free returns cash on delivery available

**blood rebellion the vampire and angel wars book 2** - Apr 07 2023

web blood rebellion the vampire and angel wars book 2 derosa g k amazon com au books

**blood rebellion the vampire and angel wars book 2** - Apr 26 2022

web arrives by wed jun 29 buy blood rebellion the vampire and angel wars book 2 paperback at walmart com

**blood rebellion the vampire and angel wars book 2** - Sep 12 2023

web nov 6 2018 blood rebellion the vampire and angel wars book 2 kindle edition by g k derosa author format kindle edition 4 6 181 ratings book 2 of 3 the vampire

**blood rebellion the vampire and angel wars** - Oct 13 2023

web blood rebellion the vampire and angel wars book 2 derosa g k amazon sg books

**blood rebellion the vampire and angel wars book 2** - Feb 05 2023

web blood rebellion the vampire and angel wars book 2 by derosa g k isbn 10 1729174256 isbn 13 9781729174258 independently published 2018 softcover

**blood rebellion the vampire and angel wars book 2** - Jun 09 2023

web the angels and vampires stole everything from liv and her heart burns for revenge there s just one problem she s not the only one searching for the legendary weapon

**amazon com customer reviews proof blood amp** - Dec 23 2021

*blood rebellion the vampire and angel wars book 2 bookshop* - Dec 03 2022

web find helpful customer reviews and review ratings for blood rebellion the vampire and angel wars book 2 at amazon com read honest and unbiased product reviews from

**readers who enjoyed blood rebellion the vampire and angel** - Feb 22 2022

web nov 22 2022 my books browse menu subjects trending library explorer lists collections k 12 student library reviews lists related books an edition of blood

**blood rebellion the vampire and angel wars book 2** - Mar 26 2022

web by michelle madow 4 44 avg rating 389 ratings ruby grace has had enough she s been rejected by her fated mate forced to blood bond with a vampire and erased from

**blood rebellion the vampire and angel wars book 2 alibris** - May 28 2022

web both the angels and vampires are closing in hell bent on stopping liv and her friends when an unexpected loss changes everything liv is forced to come to terms with her

**blood rebellion the vampire and angel wars book 2** - Aug 31 2022

web amazon in buy blood rebellion the vampire and angel wars book 2 book online at best prices in india on amazon in read blood rebellion the vampire and angel

**blood rebellion the vampire and angel wars book 2** - Jan 04 2023

web the war has only just begun the hunt for the mythical shield to rid the world of the dreaded immortals is on the angels and vampires stole everything from liv and her heart

**blood rebellion by g k derosa open library** - Jan 24 2022

web find helpful customer reviews and review ratings for proof blood rebellion the vampire and angel wars book 2 at amazon com read honest and unbiased product

**shopaholic baby shopaholic book 5 amazon com au** - Dec 07 2022

web hello sign in account lists returns orders cart

**shopaholic baby shopaholic book 5 paperback amazon** - Nov 06 2022

web shopaholic baby shopaholic book 5 kinsella sophie fox emilia amazon in books

**shopaholic baby shopaholic book 5 by kinsella sophie** - Jul 02 2022

web shopaholic and baby shopaholic book 5 kinsella sophie amazon com au books

**shopaholic baby shopaholic book 5 amazon in** - Oct 05 2022

web shopaholic baby shopaholic book 5 shopaholic series ebook kinsella sophie amazon com au books

**shopaholic baby shopaholic book 5 by sophie kinsella** - Aug 03 2022

web buy shopaholic baby shopaholic book 5 by kinsella sophie paperback softback edition 2007 by isbn from amazon s book

store everyday low prices and free

[shopaholic and baby shopaholic book 5 hardcover](#) - Jun 01 2022

web dec 26 2007 this is the fifth book in the popular shopaholic series given the original premise of the series you might expect that sophie kinsella would have run out of ideas

[shopaholic baby shopaholic book 5 shopaholic](#) - Jul 14 2023

web shopaholic baby shopaholic book 5 shopaholic series ebook kinsella sophie amazon co uk kindle store

**shopaholic and baby shopaholic 5 sophie kinsella** - Jan 08 2023

web becky s life is blooming she s working at london s newest fashion store the look house hunting with husband luke her secret wish is a shoe room and she s pregnant she

[shopaholic baby shopaholic book 5 amazon co uk](#) - Aug 15 2023

web buy shopaholic baby shopaholic book 5 paperback softback by kinsella sophie isbn 9780552772754 from amazon s book store everyday low prices and free

[shopaholic baby shopaholic book 5 shopaholic series](#) - Sep 23 2021

**shopaholic baby shopaholic book 5 shopaholic series** - Jan 28 2022

web read shopaholic baby shopaholic 5 online free shopaholic baby shopaholic 5 is a romance novel by sophie kinsella it is a shopaholic series novel enjoy

**shopaholic and baby shopaholic 5 by sophie** - Jun 13 2023

web five stars heat out now the new sunday times bestseller from sophie kinsella christmas shopaholic also available the irresistible new stand alone novel

**shopaholic baby kinsella sophie 9780440242390** - Mar 10 2023

web she is the number one bestselling author of can you keep a secret the undomestic goddess remember me twenties girl i ve got your number wedding night my not

**pdf epub shopaholic and baby shopaholic 5 download** - Nov 25 2021

web shopaholic baby shopaholic 5 shopaholic baby rating 8 5 10 from 14 ratings sophie kinsella romance 2007 1 982 shopaholic 5 chapter list read now becky

**shopaholic baby shopaholic 5 free books to read online** - Dec 27 2021

web nov 9 2019 brief summary of book shopaholic and baby shopaholic 5 by sophie kinsella here is a quick description and cover image of book shopaholic and baby

**shopaholic baby shopaholic book 5 shopaholic series** - May 12 2023

web shopaholic baby book read 2 726 reviews from the world s largest community for readers becky brandon s life is blooming she s working at london s ne

[shopaholic baby shopaholic 5 by sophie kinsella goodreads](#) - Apr 11 2023

web apr 28 2009 details or fastest delivery tuesday august 8 order within 21 hrs 49 mins details select delivery location only 14 left in stock order soon qty 1 buy now

**shopaholic baby shopaholic book 5 kinsella sophie** - Feb 09 2023

web jan 1 2007 shopaholic and baby shopaholic 5 sophie kinsella on amazon com free shipping on qualifying offers

shopaholic and baby shopaholic 5

[shopaholic baby shopaholic 5 novelstoday](#) - Feb 26 2022

web shopaholic baby shopaholic book 5 shopaholic series english edition format kindle Édition en anglais de sophie kinsella auteur format format kindle 4 5 4 5

[shopaholic baby a novel book cover may vary amazon com](#) - Apr 30 2022

web shopaholic baby shopaholic book 5 kinsella sophie isbn 9780552774055 kostenloser versand für alle bücher mit versand und verkauf duch amazon

**shopaholic baby shopaholic book 5 amazon de** - Mar 30 2022

web shopaholic baby rating 8 3 10 from 15 ratings author sophie kinsella genre romance published 2007 series shopaholic 5 chapter list read now becky brandon

*read shopaholic baby shopaholic 5 online free nicenovel* - Oct 25 2021

web jun 26 2009 shopaholic baby shopaholic book 5 shopaholic series kindle edition by kinsella sophie download it once and read it on your kindle device pc

[shopaholic baby shopaholic book 5 shopaholic series](#) - Sep 04 2022

web buy shopaholic baby shopaholic book 5 by sophie kinsella 2007 12 03 by sophie kinsella from amazon s fiction books store everyday low prices on a huge range of