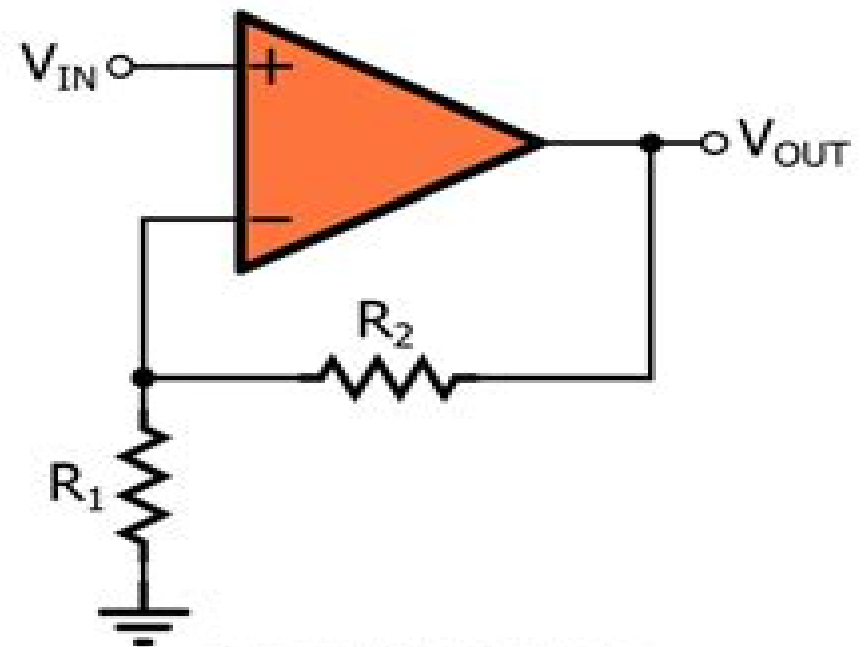
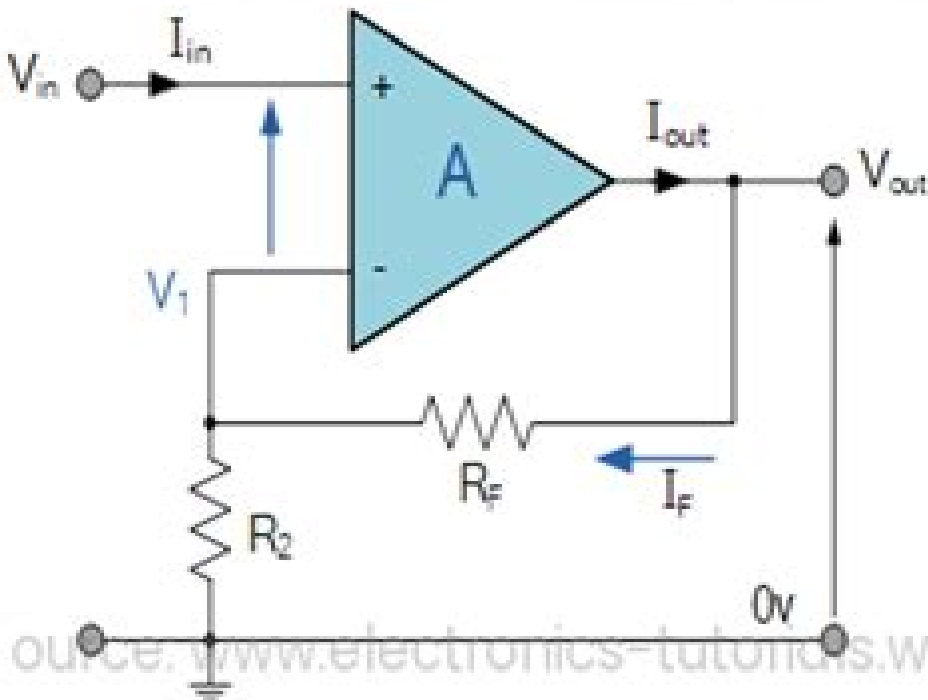


How Do I Use An Op-Amp As A Non-Inverting Amplifier?

- The article explains how to set up an op-amp as a non-inverting amplifier, a configuration that amplifies input voltage without inverting its polarity, thereby maintaining the input signal's phase
- The gain of this amplifier is determined by the ratio of two resistors (R_1 and R_2) and can be adjusted to suit specific needs
- Non-inverting amplifiers offer advantages like a positive voltage gain, high input impedance, and flexible gain
- They are widely used in applications such as signal conditioning, audio amplification, and active filters



Understand Amplifiers

Ian Pickup



Understand Amplifiers:

Eventually, you will completely discover a additional experience and success by spending more cash. nevertheless when? get you take that you require to get those all needs similar to having significantly cash? Why dont you try to acquire something basic in the beginning? Thats something that will guide you to understand even more almost the globe, experience, some places, with history, amusement, and a lot more?

It is your no question own time to enactment reviewing habit. along with guides you could enjoy now is **Understand Amplifiers** below.

https://ftp.thebrandexperience.com/files/browse/default.aspx/Guide_Async_Communication.pdf

Table of Contents Understand Amplifiers

1. Understanding the eBook Understand Amplifiers
 - The Rise of Digital Reading Understand Amplifiers
 - Advantages of eBooks Over Traditional Books
2. Identifying Understand Amplifiers
 - Exploring Different Genres
 - Considering Fiction vs. Non-Fiction
 - Determining Your Reading Goals
3. Choosing the Right eBook Platform
 - Popular eBook Platforms
 - Features to Look for in an Understand Amplifiers
 - User-Friendly Interface
4. Exploring eBook Recommendations from Understand Amplifiers
 - Personalized Recommendations
 - Understand Amplifiers User Reviews and Ratings
 - Understand Amplifiers and Bestseller Lists
5. Accessing Understand Amplifiers Free and Paid eBooks

- Understand Amplifiers Public Domain eBooks
 - Understand Amplifiers eBook Subscription Services
 - Understand Amplifiers Budget-Friendly Options
6. Navigating Understand Amplifiers eBook Formats
 - ePub, PDF, MOBI, and More
 - Understand Amplifiers Compatibility with Devices
 - Understand Amplifiers Enhanced eBook Features
 7. Enhancing Your Reading Experience
 - Adjustable Fonts and Text Sizes of Understand Amplifiers
 - Highlighting and Note-Taking Understand Amplifiers
 - Interactive Elements Understand Amplifiers
 8. Staying Engaged with Understand Amplifiers
 - Joining Online Reading Communities
 - Participating in Virtual Book Clubs
 - Following Authors and Publishers Understand Amplifiers
 9. Balancing eBooks and Physical Books Understand Amplifiers
 - Benefits of a Digital Library
 - Creating a Diverse Reading Collection Understand Amplifiers
 10. Overcoming Reading Challenges
 - Dealing with Digital Eye Strain
 - Minimizing Distractions
 - Managing Screen Time
 11. Cultivating a Reading Routine Understand Amplifiers
 - Setting Reading Goals Understand Amplifiers
 - Carving Out Dedicated Reading Time
 12. Sourcing Reliable Information of Understand Amplifiers
 - Fact-Checking eBook Content of Understand Amplifiers
 - Distinguishing Credible Sources
 13. Promoting Lifelong Learning
 - Utilizing eBooks for Skill Development

- Exploring Educational eBooks
- 14. Embracing eBook Trends
 - Integration of Multimedia Elements
 - Interactive and Gamified eBooks

Understand Amplifiers Introduction

In today's digital age, the availability of Understand Amplifiers books and manuals for download has revolutionized the way we access information. Gone are the days of physically flipping through pages and carrying heavy textbooks or manuals. With just a few clicks, we can now access a wealth of knowledge from the comfort of our own homes or on the go. This article will explore the advantages of Understand Amplifiers books and manuals for download, along with some popular platforms that offer these resources. One of the significant advantages of Understand Amplifiers books and manuals for download is the cost-saving aspect. Traditional books and manuals can be costly, especially if you need to purchase several of them for educational or professional purposes. By accessing Understand Amplifiers versions, you eliminate the need to spend money on physical copies. This not only saves you money but also reduces the environmental impact associated with book production and transportation. Furthermore, Understand Amplifiers books and manuals for download are incredibly convenient. With just a computer or smartphone and an internet connection, you can access a vast library of resources on any subject imaginable. Whether you're a student looking for textbooks, a professional seeking industry-specific manuals, or someone interested in self-improvement, these digital resources provide an efficient and accessible means of acquiring knowledge. Moreover, PDF books and manuals offer a range of benefits compared to other digital formats. PDF files are designed to retain their formatting regardless of the device used to open them. This ensures that the content appears exactly as intended by the author, with no loss of formatting or missing graphics. Additionally, PDF files can be easily annotated, bookmarked, and searched for specific terms, making them highly practical for studying or referencing. When it comes to accessing Understand Amplifiers books and manuals, several platforms offer an extensive collection of resources. One such platform is Project Gutenberg, a nonprofit organization that provides over 60,000 free eBooks. These books are primarily in the public domain, meaning they can be freely distributed and downloaded. Project Gutenberg offers a wide range of classic literature, making it an excellent resource for literature enthusiasts. Another popular platform for Understand Amplifiers books and manuals is Open Library. Open Library is an initiative of the Internet Archive, a non-profit organization dedicated to digitizing cultural artifacts and making them accessible to the public. Open Library hosts millions of books, including both public domain works and contemporary titles. It also allows users to borrow digital copies of certain books for a limited period, similar to a library lending system. Additionally, many universities and educational institutions have their own digital

libraries that provide free access to PDF books and manuals. These libraries often offer academic texts, research papers, and technical manuals, making them invaluable resources for students and researchers. Some notable examples include MIT OpenCourseWare, which offers free access to course materials from the Massachusetts Institute of Technology, and the Digital Public Library of America, which provides a vast collection of digitized books and historical documents. In conclusion, Understand Amplifiers books and manuals for download have transformed the way we access information. They provide a cost-effective and convenient means of acquiring knowledge, offering the ability to access a vast library of resources at our fingertips. With platforms like Project Gutenberg, Open Library, and various digital libraries offered by educational institutions, we have access to an ever-expanding collection of books and manuals. Whether for educational, professional, or personal purposes, these digital resources serve as valuable tools for continuous learning and self-improvement. So why not take advantage of the vast world of Understand Amplifiers books and manuals for download and embark on your journey of knowledge?

FAQs About Understand Amplifiers Books

How do I know which eBook platform is the best for me? Finding the best eBook platform depends on your reading preferences and device compatibility. Research different platforms, read user reviews, and explore their features before making a choice. Are free eBooks of good quality? Yes, many reputable platforms offer high-quality free eBooks, including classics and public domain works. However, make sure to verify the source to ensure the eBook credibility. Can I read eBooks without an eReader? Absolutely! Most eBook platforms offer webbased readers or mobile apps that allow you to read eBooks on your computer, tablet, or smartphone. How do I avoid digital eye strain while reading eBooks? To prevent digital eye strain, take regular breaks, adjust the font size and background color, and ensure proper lighting while reading eBooks. What the advantage of interactive eBooks? Interactive eBooks incorporate multimedia elements, quizzes, and activities, enhancing the reader engagement and providing a more immersive learning experience. Understand Amplifiers is one of the best book in our library for free trial. We provide copy of Understand Amplifiers in digital format, so the resources that you find are reliable. There are also many Ebooks of related with Understand Amplifiers. Where to download Understand Amplifiers online for free? Are you looking for Understand Amplifiers PDF? This is definitely going to save you time and cash in something you should think about. If you trying to find then search around for online. Without a doubt there are numerous these available and many of them have the freedom. However without doubt you receive whatever you purchase. An alternate way to get ideas is always to check another Understand Amplifiers. This method for see exactly what may be included and adopt these ideas to your book. This site will almost certainly help you save time and effort, money and stress. If you are

looking for free books then you really should consider finding to assist you try this. Several of Understand Amplifiers are for sale to free while some are payable. If you arent sure if the books you would like to download works with for usage along with your computer, it is possible to download free trials. The free guides make it easy for someone to free access online library for download books to your device. You can get free download on free trial for lots of books categories. Our library is the biggest of these that have literally hundreds of thousands of different products categories represented. You will also see that there are specific sites catered to different product types or categories, brands or niches related with Understand Amplifiers. So depending on what exactly you are searching, you will be able to choose e books to suit your own need. Need to access completely for Campbell Biology Seventh Edition book? Access Ebook without any digging. And by having access to our ebook online or by storing it on your computer, you have convenient answers with Understand Amplifiers To get started finding Understand Amplifiers, you are right to find our website which has a comprehensive collection of books online. Our library is the biggest of these that have literally hundreds of thousands of different products represented. You will also see that there are specific sites catered to different categories or niches related with Understand Amplifiers So depending on what exactly you are searching, you will be able to choose ebook to suit your own need. Thank you for reading Understand Amplifiers. Maybe you have knowledge that, people have search numerous times for their favorite readings like this Understand Amplifiers, but end up in harmful downloads. Rather than reading a good book with a cup of coffee in the afternoon, instead they juggled with some harmful bugs inside their laptop. Understand Amplifiers is available in our book collection an online access to it is set as public so you can download it instantly. Our digital library spans in multiple locations, allowing you to get the most less latency time to download any of our books like this one. Merely said, Understand Amplifiers is universally compatible with any devices to read.

Find Understand Amplifiers :

guide async communication

[framework ai productivity tools](#)

advanced coworking spaces

tutorial remote jobs

automation remote work advanced

remote jobs ebook

checklist virtual reality office

[toolkit project management tools](#)

pro ai productivity tools

[remote jobs trending](#)

coworking spaces trending

[digital nomad lifestyle for beginners](#)

framework freelance platforms

checklist project management tools

[ebook automation remote work](#)

Understand Amplifiers :

[netter s atlas of human embryology updated edition paperback](#) - Mar 30 2022

web jun 18 2012 this item netter s atlas of human embryology updated edition 89 18 89 18 get it sep 13 25 only 1 left in stock ships from and sold by basi6 the developing human clinically oriented embryology 104 00 104 00 get it sep 20 oct 5 usually ships within 3 to 4 days

netter s atlas of human embryology updated edition pdf free - Aug 15 2023

web may 2 2022 netter s atlas of human embryology updated edition pdf free download may 2 2022 by dr medicalstudyzone com leave a comment in this blog post we are going to share a free pdf download of netter s atlas of human embryology updated edition pdf using direct links

[netters atlas of human embryology sss pdf google drive](#) - Oct 05 2022

web view details request a review learn more

buy netter s atlas of human embryology updated edition netter - Dec 27 2021

web netter s atlas of human embryology updated edition netter basic science paperback 26 august 2012 by larry r cochard phd author 4 5 26 ratings part of netter basic science 28 books see all formats and editions kindle edition 3 777 90 read with our free app paperback 4 295 00 2 used from 3 700 00 8 new from 4 219 00 emi starts

netter s atlas of human embryology e book netter basic science - Aug 03 2022

web here s a rich pictorial review of normal and abnormal human prenatal development for each body system or region you ll find a brief description of the developmental plan with key concepts and terminology followed by discussions of histological principles the classification of congenital defects and basic cellular molecular and genetic

netter s atlas of human embryology 2nd edition - Apr 11 2023

web description illustrated by the world renowned frank h netter md and artists working in his tradition netter s atlas of human embryology 2nd edition provides a rich pictorial overview of human prenatal development

[netter s atlas of human embryology updated edition netter](#) - Feb 09 2023

web jul 15 2012 netter s atlas of human embryology updated edition netter basic science 1st edition kindle edition by larry r cochard author format kindle edition 28 ratings part of netter basic science 28 books see all formats and editions etextbook 14 85 46 39 read with our free app paperback

netter s atlas of human embryology updated edition - May 12 2023

web dec 4 2016 netter s atlas of human embryology updated edition pdf here s a rich pictorial review of normal and abnormal human prenatal development for each body system or region you ll find a brief description of the developmental plan with key concepts and terminology followed by discussions of histological principles the classification of

[netter s atlas of human embryology updated edition google books](#) - Jun 13 2023

web jun 18 2012 here s a rich pictorial review of normal and abnormal human prenatal development for each body system or region you ll find a brief description of the developmental plan with key concepts

netter s atlas of human embryology e book google books - Jul 14 2023

web jul 15 2012 for each body system or region you ll find a brief description of the developmental plan with key concepts and terminology followed by discussions of histological principles the classification

read pdf netter s atlas of human embryology updated - Jun 01 2022

web apr 8 2020 netter s atlas of human embryology updated edition netter basic science book detail series netter basic science paperback 288 pages publisher saunders 1 edition july 2 2012 language english isbn 10 1455739774 isbn 13 978 1455739776 product dimensions 8 8 x 0 5 x 11 inches shipping weight 1 9 pounds

netter s atlas of human embryology 9781455739776 us - Jan 08 2023

web netter s atlas of human embryology 1st edition updated edition author larry r cochard upcoming edition isbn 9780443117619 be the first to review this product share to receive a discount off your next order share on twitter print ebook 54 36 67 95 vitalsource ebook 46 39 57 99 qty add to cart in stock 20 off

netter s atlas of human embryology e book updated edition netter - Feb 26 2022

web here s a rich pictorial review of normal and abnormal human prenatal development for each body system or region you ll find a brief description of the developmental plan with key concepts and terminology followed by discussions of histological principles the classification of congenital defects and basic cellular molecular and genetic

free download netter s atlas of human embryology updated - Jan 28 2022

web nov 5 2021 netter s atlas of human embryology updated edition netter basic science copy this link in description and paste in new tab to download or read this book more documents recommendations info

netter s atlas of human embryology e book netter s atlas of human - Nov 06 2022

web netter s atlas of human embryology e book netter s atlas of human embryology e book ebook written by larry r cochard

read this book using google play books app on your pc android ios devices download for offline reading highlight bookmark or take notes while you read netter s atlas of human embryology e book netter s atlas of

netter s atlas of human embryology 1st edition - Mar 10 2023

web may 1 2012 the embryonic period the early embryonic period 3 the late embryonic period 4 the fetal period 5 histological concepts samples of epithelia and connective tissue 6 skin and embryonic connective tissue 7 induction 8 apoptosis 9 segmentation and early pattern formation genetic determination of embryonic

netter s atlas of human embryology amazon com - Dec 07 2022

web jul 2 2012 for each body system or region you ll find a brief description of the developmental plan with key concepts and terminology followed by discussions of histological principles the classification of congenital defects and basic cellular molecular and genetic concepts

embryology dratef net free download borrow and streaming - Sep 04 2022

web jun 1 2020 netter s atlas of human embryology larry cochard m updated edition daisy zip download textbook of clinical embryology kevin dagan 1e daisy zip download the anatomy of the human embryo steding

netter s atlas of human embryology updated edition 1e netter - Apr 30 2022

web jul 27 2012 paperback 27 july 2012 here s a rich pictorial review of normal and abnormal human prenatal development for each body system or region you ll find a brief description of the developmental plan with key concepts and terminology followed by discussions of histological principles the classification of congenital defects and basic

netter s atlas of human embryology updated edition 1ed - Jul 02 2022

web book title netter s atlas of human embryology updated edition 1ed details author larry r cochard phd publisher saunders revised ed edition release year 2013 language english format pdf page count 290 isbn 1455739774 price in amazon 57 26 file size 25 mb overview

information system mcq bank 511 answers download only - Aug 04 2022

web it will extremely ease you to look guide information system mcq bank 511 answers as you such as by searching the title publisher or authors of guide you in point of fact want you can discover them rapidly

richfield information systems studocu - Jun 14 2023

web information systems 511 ca test 2 review questions 13 pages 2022 2023 100 300 real time java multiple choice questions and answers mcqs is summary computer book summaries anika 401913219 information systems 621 processing a database is a collection of common records that can be searched accessed and modified such

final exam questions information systems 512 studocu - Jul 15 2023

web mcq information systems 512 final exam program which is readily available to computer users as part of software

package is classified as library program program information systems 511 assignment 2021 hsbai jsfvqi gwcwisb yghia
httpgwv juyav document answer a 2 set of so□□w are authoriz ed t o speci□□c user s is consider

information system mcq bank 511 answers 2019 kyivstar ua - Jul 03 2022

web download free information system mcq bank 511 answers benazir bhutto wikipedia 13 02 2022 assessment of the
respiratory system 28 table of contents keywords wildland recreation management disturbance related search action plan
elements osha requires that the information listed below be included in an action plan 6

exam mcq answers introduction to information systems 1 a studocu - Jan 09 2023

web answers to test mcq questions introduction to information systems point what are the six critical elements of workflow
system data hardware software information systems 1 inf1102s practice materials 100 5 21 final exam 13 november 2014
questions and answers information systems 1 inf1102s practice materials 88 8

information system mcq bank 511 answers uniport edu - Jun 02 2022

web jun 6 2023 mcq bank 511 answers as one of the most working sellers here will utterly be in the midst of the best
options to review investigation into crown savings bank failure united states

information system mcq bank 511 answers pdf free - Nov 07 2022

web information system mcq bank 511 answers pdf free support ortax org created date 9 8 2023 12 32 05 pm

information system mcq bank 511 answers copy uniport edu - Jan 29 2022

web may 18 2023 information system mcq bank 511 answers 1 5 downloaded from uniport edu ng on may 18 2023 by guest
information system mcq bank 511 answers eventually you will totally discover a other experience and feat by spending more
cash still when attain you tolerate that you require to get those all needs like having significantly

information system mcq quiz questions and answers - Apr 12 2023

web answer 34 information systems support an organization s business operations managerial decision making and strategic
competitive advantage such system is called a business process reengineering b globalization c roles of information systems
d competitive advantage

information system mcq bank 511 answers secure4 khronos - Feb 27 2022

web information system mcq bank 511 answers cyteen de information system mcq bank 511 answers wamcom de doc format
you can directly download and save in in to information system mcq bank 511 answers pdf download computer science exam
preparation ps exam ibps po information system mcq bank 511 answers axostech

is 511 information system richfield graduate institute of - Feb 10 2023

web access study documents get answers to your study questions and connect with real tutors for is 511 information system
at richfield graduate institute of technology pty ltd durban

information system mcq bank 511 answers pdf uniport edu - Oct 06 2022

web jul 1 2023 information system mcq bank 511 answers 2 5 downloaded from uniport edu ng on july 1 2023 by guest
decennial digest american digest system 2002 operation of national and federal reserve banking system hearings before a
subcommittee of seventy first congress third session pursuant to s res 71

300 top information system management mcqs and answers - Dec 28 2021

web 37 are management support system tailored to the strategic information needs of top and middle management a e
commerce systems b strategic information systems c executive information systems d management information systems
answer c executive information systems information system management objective

information system mcq bank 511 vdocuments mx - Dec 08 2022

web mar 6 2018 information system mcq bank 511 answers pdf free download here chapter 1 why study money banking and
financial markets ursdoc com pdf chapter 1 why study money banking and financial markets pdf this pdf book incorporate
information system mcq bank 511 answers conduct

management information system mcq quiz objective question with answer - Mar 31 2022

web jun 13 2023 management information system question 1 which of the following is not a characteristic of mis
management information system management directed management oriented common data flow management non
interference answer detailed solution below option 4 management non interference india s super teachers for all

information system mcq bank 511 answers pdf copy - Sep 05 2022

web apr 11 2023 merely said the information system mcq bank 511 answers pdf is universally compatible taking into
account any devices to read title information system mcq bank 511 answers pdf copy

information system 511 mcqs information system question 1 - Aug 16 2023

web select one a micro computer b dumb terminal c dedicated data entry system d mouse feedback the correct answer is
dumb terminal question 14 question text

is 511 exam theory paper final paper a marking memo - May 13 2023

web faculty of information technology information systems 511 theory marking memo initiated by academic director dr muni
kooblal document no exams 01 authorised by group chief executive officer mr j ramnundlall revision no 01 issuing office head
office main campus controlled copy revision date 01 06

information system mcq bank 511 answers uniport edu - May 01 2022

web jun 21 2023 information system mcq bank 511 answers 1 8 downloaded from uniport edu ng on june 21 2023 by guest
information system mcq bank 511 answers if you ally habit such a referred information system mcq bank 511 answers book
that will come up with the money for you worth get the unquestionably best seller from us

informatio35954 information systems 511 course hero - Mar 11 2023

web information systems 511 ca test 2 review questions 1 pdf solutions available richfield graduate institute of technology pty ltd durban ins 511b img 20201115 wa0121 jpg richfield graduate institute of technology pty ltd durban is 511 questions 90 marks question 1 40 marks 1 1 using practical examples describe green

trump 14th amendment disqualification trial what to know - May 22 2022

web mar 18 2009 the 14th tale is a free flowing narrative that tells the hilarious exploits of a natural born mischief growing from the clay streets of nigeria to the rooftops of dublin

14th tale the bpa black plays archive - Jan 18 2022

web nov 1 2023 over the past few months efforts to bar trump from the republican primary ballot under section 3 of the 14th amendment which was first enacted after the civil

the 14th tale fest - Jun 22 2022

web 1988 at four years old he short circuited his home with a silver spoon and a betamax video player 1989 stopped a 700 strong student assembly with a tantrum 1995 was chased

the 14th tale oberon modern plays inua ellams oberon books - Dec 29 2022

web oct 20 2023 london inua ellams hilarious and poetic coming of age story which follows his real life journey from his birth place in nigeria to the culture shock of england

the 14th tale inua ellams google books - Sep 06 2023

web aug 7 2015 the 14th tale is a beautiful mellifluous narrative that tells the hilarious exploits of a natural born mischief growing from the clay streets of nigeria to rooftops in dublin

the 14th tale concord theatricals - Mar 20 2022

web nov 2 2023 details of the cases come primarily from 14th century coroner and inquest records regarding sudden and violent deaths that tale is a favorite of louise

pdf the 14th tale by inua ellams ebook perlego - Sep 25 2022

web nov 2 2023 the trial stems from a lawsuit brought by voters in the state who argue that mr trump is ineligible to hold office under the 14th amendment of the constitution

does jan 6 disqualify trump from office historic 14th - Sep 13 2021

web 1 day ago sophie s tavern has been open near the intersection of archer avenue and pulaski road in chicago s 14th ward most of the time ed burke was in office over

drama online the 14th tale - Feb 16 2022

web nov 3 2023 witness testimony wrapped up friday in former president donald trump s 14th amendment disqualification

trial in colorado setting the stage for a historic ruling

inua ellams plays one the 14th tale untitled - Feb 28 2023

web the 14th tale is a free flowing mellifluous narrative that tells of the exploits of a natural born mischief maker who grows from the clay streets of nigeria to the roof tops of dublin and

what s next in the colorado trial to remove trump from the cnn - Oct 15 2021

web İzlemedim tale of the nine tailed 1 bölüm tale of the nine tailed 14 bölüm koreantürk kore dizilerini türkçe altyazılı olarak koreanturk com farkıyla izleyebilirsiniz

take advantage of a 14th gen processor with gigabyte s - Mar 08 2021

the 14th tale arcola theatre - Oct 27 2022

web aug 23 2009 from its premise alone the 14th tale may seem like a tired fish out of water story relating the experiences of performance poet inua ellams a nigerian

the 14th tale youtube - Dec 17 2021

web nov 1 2023 john locher ap cnn a colorado judge on wednesday rejected a bid by former president donald trump to shut down the 14th amendment case against his

the 14th tale in schools fuel theatre - Aug 25 2022

web mar 29 2016 the 14th tale is a beautiful mellifluous narrative that tells the hilarious exploits of a natural born mischief growing from the clay streets of nigeria to rooftops in

the 14th tale national theatre london theatre - Nov 27 2022

web a hilarious and poetic coming of age story about a natural born trouble maker and his relationship with his father the story follows inua s real life journ

the 14th tale by inua ellams goodreads - Oct 07 2023

web jan 1 2009 in the 14th tale inua vividly describes the exploits of a natural born mischief growing from clay streets in nigeria to roof tops in dublin and finally to heartbreak in

the 14th tale xann smith - Jul 04 2023

web the 14th tale what does a centuries old book in ireland have to do with a teenage girl in boston everything if she wants to live past her fourteenth birthday with his daughter

tale of the nine tailed 14 bölüm koreantürk kore dizileri - Jun 10 2021

web nov 14 2023 machine learning and ai have played an increasingly important role in this endeavor for basic and clinical neuroscience research including developing biologically

in ed burke s 14th ward big frustration with politicians persists - May 10 2021

web oct 31 2023 the 14th amendment disqualification trial against former president donald trump continued tuesday in colorado where a group of voters are trying to keep him off

the 14th tale worldcat org - Jan 30 2023

web the 14th tale is a beautiful mellifluous narrative that tells the hilarious exploits of a natural born mischief growing from the clay streets of nigeria to rooftops in dublin and finally to

the 14th tale oberon modern plays inua ellams - Jun 03 2023

web aug 6 2015 the 14th tale is a beautiful mellifluous narrative that tells the hilarious exploits of a natural born mischief growing from the clay streets of nigeria to rooftops in dublin

absurd conspiracy theory showdown over capitol attack - Jul 12 2021

web 1 day ago the aorus z790 x gen motherboards are ready to kick up your computers performance by several notches the xtreme x model is equipped with an lcd

the 14th tale by inua ellams trailer youtube - Jul 24 2022

web the 14th tale inua ellams the 14th tale the 14th tale inua ellams overview 1988 at four years old he short circuited his home with a silver spoon and a betamax video

trt 1 diriliş ertuğrul 14 bölüm - Dec 05 2020

the 14th tale oberon modern plays amazon com - Apr 20 2022

web mar 1 2009 fuel presents an excerpt from the 14th tale by inua ellams 18th 20th marcharcola theatre london directed by thierry lawson written and performed by

a promising tale machine learning for neuroscience - Feb 04 2021

14th amendment day 2 of the trump disqualification trial in - Jan 06 2021

the 14th tale by inua ellams waterstones - Apr 01 2023

web 1988 at four years old he short circuited his home with a silver spoon and a betamax video player 1989 stopped a 700 strong student assembly with a tantrum 1

inua ellams wikipedia - Aug 05 2023

ellams has written for the royal shakespeare company royal national theatre and the bbc in june 2018 ellams was elected as a fellow of the royal society of literature as part of its 40 under 40 initiative thirteen fairy negro tales flipped eye 2004 candy

coated unicorns and converse all stars flipped eye 2010

the 14th tale fuel theatre - May 02 2023

web summary the 14th tale is a beautiful mellifluous narrative that tells the hilarious exploits of a natural born mischief growing from the clay streets of nigeria to rooftops in dublin and

best motherboards for intel 14th gen processors in 2023 xda - Apr 08 2021

web diriliş ertuğrul 14 bölüm nasır ı ele geçiren ertuğrul tapınakçıların kumpasını bozabilecek mi halime kardeşi yiğit in esir olduğu tapınakçı kalesinden kurtulması

14 amendment day 3 of the trump disqualification trial in - Aug 13 2021

web nov 5 2023 msi pro z690 a best value 180 220 save 40 the msi pro z690 a features a utilitarian all black design emphasizing minimalism and subtlety it provides

who killed the innkeeper with a sword in 1315 - Nov 15 2021

web nov 3 2023 hearings have recently commenced to decide whether the 14th amendment could disqualify donald trump from running for president in 2024 due to his alleged