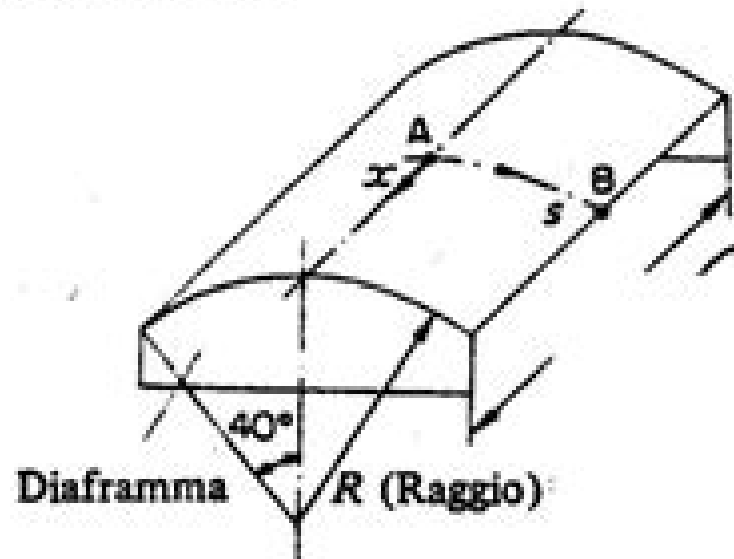
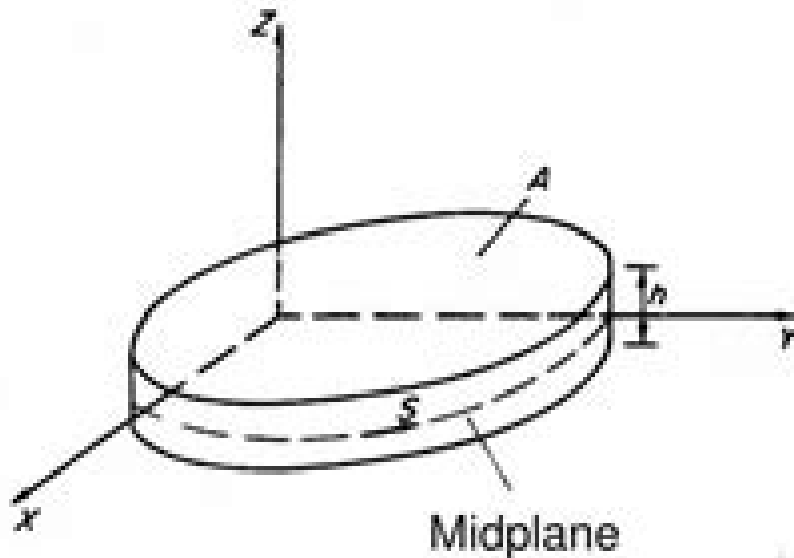


Plates and shells



- The mid-surface of a plate is plane, a curved geometry make it a shell
- The thickness is constant.
- May be isotropic, anisotropic, composite and layered.
- The isotropic case is considered.
- Thin and thick cases are take into account.

Thin Plates And Shells

Ensheng Dong



Thin Plates And Shells:

The Enigmatic Realm of **Thin Plates And Shells**: Unleashing the Language is Inner Magic

In a fast-paced digital era where connections and knowledge intertwine, the enigmatic realm of language reveals its inherent magic. Its capacity to stir emotions, ignite contemplation, and catalyze profound transformations is nothing short of extraordinary. Within the captivating pages of **Thin Plates And Shells** a literary masterpiece penned by way of a renowned author, readers embark on a transformative journey, unlocking the secrets and untapped potential embedded within each word. In this evaluation, we shall explore the book's core themes, assess its distinct writing style, and delve into its lasting effect on the hearts and minds of those who partake in its reading experience.

https://ftp.thebrandexperience.com/public/detail/HomePages/zen_poems_of_china_and_japan_the_cranes_bill.pdf

Table of Contents Thin Plates And Shells

1. Understanding the eBook Thin Plates And Shells
 - The Rise of Digital Reading Thin Plates And Shells
 - Advantages of eBooks Over Traditional Books
2. Identifying Thin Plates And Shells
 - Exploring Different Genres
 - Considering Fiction vs. Non-Fiction
 - Determining Your Reading Goals
3. Choosing the Right eBook Platform
 - Popular eBook Platforms
 - Features to Look for in an Thin Plates And Shells
 - User-Friendly Interface
4. Exploring eBook Recommendations from Thin Plates And Shells
 - Personalized Recommendations
 - Thin Plates And Shells User Reviews and Ratings
 - Thin Plates And Shells and Bestseller Lists

5. Accessing Thin Plates And Shells Free and Paid eBooks
 - Thin Plates And Shells Public Domain eBooks
 - Thin Plates And Shells eBook Subscription Services
 - Thin Plates And Shells Budget-Friendly Options
6. Navigating Thin Plates And Shells eBook Formats
 - ePub, PDF, MOBI, and More
 - Thin Plates And Shells Compatibility with Devices
 - Thin Plates And Shells Enhanced eBook Features
7. Enhancing Your Reading Experience
 - Adjustable Fonts and Text Sizes of Thin Plates And Shells
 - Highlighting and Note-Taking Thin Plates And Shells
 - Interactive Elements Thin Plates And Shells
8. Staying Engaged with Thin Plates And Shells
 - Joining Online Reading Communities
 - Participating in Virtual Book Clubs
 - Following Authors and Publishers Thin Plates And Shells
9. Balancing eBooks and Physical Books Thin Plates And Shells
 - Benefits of a Digital Library
 - Creating a Diverse Reading Collection Thin Plates And Shells
10. Overcoming Reading Challenges
 - Dealing with Digital Eye Strain
 - Minimizing Distractions
 - Managing Screen Time
11. Cultivating a Reading Routine Thin Plates And Shells
 - Setting Reading Goals Thin Plates And Shells
 - Carving Out Dedicated Reading Time
12. Sourcing Reliable Information of Thin Plates And Shells
 - Fact-Checking eBook Content of Thin Plates And Shells
 - Distinguishing Credible Sources
13. Promoting Lifelong Learning

- Utilizing eBooks for Skill Development
 - Exploring Educational eBooks
14. Embracing eBook Trends
- Integration of Multimedia Elements
 - Interactive and Gamified eBooks

Thin Plates And Shells Introduction

In the digital age, access to information has become easier than ever before. The ability to download Thin Plates And Shells has revolutionized the way we consume written content. Whether you are a student looking for course material, an avid reader searching for your next favorite book, or a professional seeking research papers, the option to download Thin Plates And Shells has opened up a world of possibilities. Downloading Thin Plates And Shells provides numerous advantages over physical copies of books and documents. Firstly, it is incredibly convenient. Gone are the days of carrying around heavy textbooks or bulky folders filled with papers. With the click of a button, you can gain immediate access to valuable resources on any device. This convenience allows for efficient studying, researching, and reading on the go. Moreover, the cost-effective nature of downloading Thin Plates And Shells has democratized knowledge. Traditional books and academic journals can be expensive, making it difficult for individuals with limited financial resources to access information. By offering free PDF downloads, publishers and authors are enabling a wider audience to benefit from their work. This inclusivity promotes equal opportunities for learning and personal growth. There are numerous websites and platforms where individuals can download Thin Plates And Shells. These websites range from academic databases offering research papers and journals to online libraries with an expansive collection of books from various genres. Many authors and publishers also upload their work to specific websites, granting readers access to their content without any charge. These platforms not only provide access to existing literature but also serve as an excellent platform for undiscovered authors to share their work with the world. However, it is essential to be cautious while downloading Thin Plates And Shells. Some websites may offer pirated or illegally obtained copies of copyrighted material. Engaging in such activities not only violates copyright laws but also undermines the efforts of authors, publishers, and researchers. To ensure ethical downloading, it is advisable to utilize reputable websites that prioritize the legal distribution of content. When downloading Thin Plates And Shells, users should also consider the potential security risks associated with online platforms. Malicious actors may exploit vulnerabilities in unprotected websites to distribute malware or steal personal information. To protect themselves, individuals should ensure their devices have reliable antivirus software installed and validate the legitimacy of the websites they are downloading from. In conclusion, the ability to download Thin Plates And Shells has transformed the way we access

information. With the convenience, cost-effectiveness, and accessibility it offers, free PDF downloads have become a popular choice for students, researchers, and book lovers worldwide. However, it is crucial to engage in ethical downloading practices and prioritize personal security when utilizing online platforms. By doing so, individuals can make the most of the vast array of free PDF resources available and embark on a journey of continuous learning and intellectual growth.

FAQs About Thin Plates And Shells Books

How do I know which eBook platform is the best for me? Finding the best eBook platform depends on your reading preferences and device compatibility. Research different platforms, read user reviews, and explore their features before making a choice. Are free eBooks of good quality? Yes, many reputable platforms offer high-quality free eBooks, including classics and public domain works. However, make sure to verify the source to ensure the eBook credibility. Can I read eBooks without an eReader? Absolutely! Most eBook platforms offer web-based readers or mobile apps that allow you to read eBooks on your computer, tablet, or smartphone. How do I avoid digital eye strain while reading eBooks? To prevent digital eye strain, take regular breaks, adjust the font size and background color, and ensure proper lighting while reading eBooks. What the advantage of interactive eBooks? Interactive eBooks incorporate multimedia elements, quizzes, and activities, enhancing the reader engagement and providing a more immersive learning experience. Thin Plates And Shells is one of the best book in our library for free trial. We provide copy of Thin Plates And Shells in digital format, so the resources that you find are reliable. There are also many Ebooks of related with Thin Plates And Shells. Where to download Thin Plates And Shells online for free? Are you looking for Thin Plates And Shells PDF? This is definitely going to save you time and cash in something you should think about.

Find Thin Plates And Shells :

[zen poems of china and japan the cranes bill](#)

[zheng anqing seal cutting seals of qin terracotta warriors horses](#)

[zhyttia tarasa shevchenka](#)

[ziny limited edition](#)

[zen therapy transcending the sorrows of the human mind](#)

[zwischen kanzel und acker aus d leben d schwab pfarrers johann friedrich flattich](#)

[zoo behind the scenes s.](#)

zen and the art of the monologue

zoo - ology

ziga zaga

zarathustras sisters womens autobiography and the shaping of cultural history

zentralblatt fuer mathematik und ih 7778

zelzelah a woman before her time

zur diskussion gestellt sachtexte und belletristik mit fragen und abungen zu den texten

zeitgenossische deutsche fotografiestipendiaten der alfred krupp von bohlen und halbachstiftung 19822002

Thin Plates And Shells :

managing change creativity and innovation google books - Jul 26 2022

web mar 20 2017 it delivers an equal balance of critical perspectives and sound ideas for organizational change and development and presents the idea that change can be proactive driven by creativity and

managing change creativity and innovation google play - May 24 2022

web managing change creativity and innovation ebook written by patrick dawson constantine andriopoulos read this book using google play books app on your pc android ios devices download for offline reading highlight bookmark or take notes while you read managing change creativity and innovation

managing change creativity and innovation sage india - Sep 27 2022

web this bestselling text brings a fresh and unique approach to managing organizational change taking the view that change creativity and innovation are interconnected it offers a strong theoretical understanding of change creativity and innovation along with practical guidance and ideas for organizational change and development

organizing for change innovation and creativity sciencedirect - May 04 2023

web jan 1 2012 this chapter develops a model for managing organizational change that leverages the vast literatures on creativity innovation and change it identifies three tensions in creativity and innovation research and maps the conflicting perspectives onto different types of organizing

a guide to innovation management stanford online - Nov 29 2022

web innovation management is the process of taking innovative ideas from their inception to implementation a company s innovation capability rests in this system and when done successfully can result in anything from a record shattering new product to a revolutionary way to address customer needs

managing change creativity innovation sage india - Oct 09 2023

web 378 creativity innovation and change in organizations understand the changing need for more adaptive forms of organizing and ambidextrous firms explain florida's 3 t model and discuss the issues and debates around the rise of the creative class assess the importance of creative places cities regions communities

[creativity and innovation management stanford online](#) - Mar 02 2023

web put simply creativity and innovation management is the act of balancing creativity and innovation in your workplace fueling creative thinking can be a difficult endeavor especially in a work environment

managing change creativity and innovation online resources - Aug 07 2023

web the process of change creativity and innovation sage journal articles videos a brief history of management thought in the development of concepts theories and business practice sage journal articles videos classifying theories the change continuity paradox sage journal articles videos

managing change creativity and innovation online resources - Dec 31 2022

web chapter 2 the process of change creativity and innovation chapter 3 a brief history of management thought in the development of concepts theories and business practice chapter 4 classifying theories of organizational change chapter 5 change management practice choices lessons learned and key considerations

[creativity and innovation management wiley online library](#) - Apr 22 2022

web creativity and innovation management a management research journal fills a crucial gap in management literature between the theory and practice of organizing imagination and innovation the journal's central consideration is how to challenge and facilitate creative potential and how to embed this into results orientated innovative business

[managing change creativity and innovation google books](#) - Jun 05 2023

web apr 28 2021 this bestselling text brings a fresh and unique approach to managing organizational change taking the view that change creativity and innovation are interconnected it offers a strong

managing change creativity and innovation 3rd ed ebooks com - Jun 24 2022

web isbn 9781526412799 edition 3 title managing change creativity and innovation author patrick dawson costas andriopoulos imprint sage publications ltd language english number of pages 665 disclaimer page count shown is an approximation provided by the publisher the actual page count will vary based on various factors such your

managing change creativity and innovation online resources - Apr 03 2023

web chapter 2 the process of change creativity and innovation chapter 3 a brief history of management thought in the development of concepts theories and business practice chapter 4 classifying theories of organizational change chapter 5 change management practice choices lessons learned and key considerations

[managing change creativity sage publications inc](#) - Feb 01 2023

web explain why change creativity and innovation are essential for survival and growth provide a working definition of change creativity and innovation that enables you to differentiate between these three terms recognize how processes of change creativity and innovation overlap and interconnect

entrepreneurship and organizational change managing innovation - Feb 18 2022

web change is a part of any organization but in order to compete in the globally connected business environment organizations also need to incorporate an entrepreneurial focus this book investigates how successful organizations have intelligently responded to change by utilizing creative innovative and dynamic solutions

pdf managing creativity and innovation semantic scholar - Oct 29 2022

web managing creativity and innovation explores the manager s role in sparking organizational creativity and offers insight into what managers and leaders must do to increase successful innovation contents include generating new ideas and recognizing opportunities moving innovation to market removing mental blocks to creativity

pdf managing change creativity and innovation researchgate - Sep 08 2023

web pdf on dec 18 2017 john edmonstone published managing change creativity and innovation find read and cite all the research you need on researchgate

[managing change creativity and innovation sage publications](#) - Jul 06 2023

web it offers a strong theoretical understanding of change creativity and innovation along with practical guidance and ideas for organizational change and development the fourth edition comes with lots of brand new case studies and examples from around the world extra content on innovation and technology

managing innovation and change google books - Mar 22 2022

web this work introduces the reader to key works on creativity innovation and change style new approaches to learning development and sustainability enabling students and lecturers to obtain an overview of the area of managing innovation and change

managing innovation and change google books - Aug 27 2022

web may 24 2002 managing innovation and change illustrates the variety of thinking about innovation in organisations and describes strategies and practical procedures for dealing with innovation and change it offers a timely overview of the management of innovation in a changing environment

photonic crystals princeton university press - May 12 2023

web mar 2 2008 photonic crystals molding the flow of light second edition john d joannopoulos steven g johnson joshua n winn and robert d meade hardcover

pdf molding the flow of light researchgate - Feb 26 2022

web dec 1 2001 a new class of materials called photonic crystals affects a photon s properties in much the some way that a semiconductor affects an electron s properties the ability to mold and guide

[download pdf photonic crystals molding the flow of light second](#) - Jan 28 2022

web download photonic crystals molding the flow of light second edition djvu type djvu size 3 7mb download as pdf download as docx download as pptx download original pdf this document was uploaded by user and they confirmed that they have the permission to share it if you are author or own the copyright of this book please report

photonic crystals molding the flow of light second edition - Jun 01 2022

web photonic crystals molding the flow of light second edition joannopoulos john d johnson steven g winn joshua n meade robert d amazon com tr kitap

photonic crystals molding the flow of light guide books acm - Mar 30 2022

web feb 1 2008 richly illustrated and accessibly written photonic crystals is an indispensable resource for students and researchers extensively revised and expanded features improved graphics throughout includes new chapters on photonic crystal fibers and combined index and band gap guiding provides an introduction to coupled mode

joannopoulos john d princeton university press - Jan 08 2023

web photonic crystals molding the flow of light second edition john d joannopoulos steven g johnson joshua n winn and robert d meade since it was first published in 1995 photonic crystals has remained the definitive text for both undergraduates and researchers on photonic band gap materials and their use in controlling the propagation

papers and publications massachusetts institute of technology - Apr 30 2022

web books john d joannopoulos steven g johnson joshua n winn and robert d meade photonic crystals molding the flow of light second edition princeton univ press 2008 see our page on the second edition for more information including links to [photonic crystals molding the flow of light second edition](#) - Dec 07 2022

web photonic crystals molding the flow of light second edition edition 2 ebook written by john d joannopoulos steven g johnson joshua n winn robert d meade read this book using google play books app on your pc android ios devices

[photonic crystals molding the flow of light second edition](#) - Dec 27 2021

web photonic crystals molding the flow of light second edition j joannopoulos s johnson j winn and r meade princeton university press 2 edition 2008 description amazon com photonic crystals molding the flow of light second edition john d joannopoulos steven g johnson joshua n winn robert d meade books links and

photonic crystal research massachusetts institute of technology - Aug 03 2022

web photonic crystals molding the flow of light the greatly revised second edition of our popular textbook on photonic crystals is now available including a pdf of the entire book readable online at no cost

photonic crystals molding the flow of light second edition - Mar 10 2023

web mar 2 2008 photonic crystals molding the flow of light second edition author john d joannopoulos editor john d joannopoulos edition illustrated revised publisher princeton university press

photonic crystals molding the flow of light - Aug 15 2023

web photonic crystals molding the flow of light second edition john d joannopoulos steven g johnson joshua n winn and robert d meade published in 2008 by princeton university press this is the second edition of our undergraduate level textbook on photonic crystals electromagnetism in periodic or partially periodic geometries on the

photonic crystals molding the flow of light second edition on - Jul 14 2023

web since it was first published in 1995 photonic crystals has remained the definitive text for both undergraduates and researchers on photonic band gap materials front matter download

photonic crystals molding the flow of light princeton university - Apr 11 2023

web joannopoulos john d johnson steven g winn joshua n et al photonic crystals molding the flow of light photonic crystals molding the flow of light second edition princeton university press 2011

john d joannopoulos molding the flow of light mit physics - Oct 05 2022

web class of materials has recently emerged that provides new capabilities for the control and manipulation of light these materials known as photonic crystals affect the properties of a photon in much the same way that a semiconductor affects the properties of an electron this ability to mold and guide light leads naturally to many novel applica

molding the flow of light ieee journals magazine ieee xplore - Nov 06 2022

web molding the flow of light abstract a new class of materials called photonic crystals affects a photon s properties in much the some way that a semiconductor affects an electron s properties the ability to mold and guide light leads naturally to novel applications in several fields including optoelectronics and telecommunications

photonic crystals molding the flow of light second edition - Jun 13 2023

web mar 2 2008 physics nature communications 2021 tldr more than 351 photonic crystal templates are predicted including nearly 300 previously unreported structures that can potentially be realized for a multitude of applications and length scales including several in the visible range via colloidal self assembly 35 pdf

photonic crystals de gruyter - Jul 02 2022

web oct 30 2011 overview contents about this book since it was first published in 1995 photonic crystals has remained the definitive text for both undergraduates and researchers on photonic band gap materials and their

photonic crystals molding the flow of light searchworks catalog - Sep 04 2022

web this new edition includes entirely new chapters describing important hybrid structures that use band gaps or periodicity

only in some directions periodic waveguides photonic crystal slabs and photonic crystal fibers

photonic crystals molding the flow of light second edition - Feb 09 2023

web mar 2 2008 since it was first published in 1995 photonic crystals has remained the definitive text for both undergraduates and researchers on photonic band gap materials and their use in controlling the propagation of light this newly expanded and revised edition covers the latest developments in the field providing the most up to date concise and

el divorcio en la ley islamica y su perspectiva e book - Sep 09 2023

web oct 12 2023 el divorcio en la ley islamica y su perspectiva e identidad islámica y orden público en una sociedad inclusiva isabel zurita martín 2023 02 15 esta obra fruto

el divorcio en la ley islamica y su perspectiva e dna viz tpq - Feb 19 2022

web oct 29 2023 el divorcio en la ley islámica y su perspectiva en el derecho internacional privado español apreciaciones sobre la ley de matrimonio civil y divorcio observada por

sucesión matrimonio y divorcio en el islam desde - Jun 06 2023

web sucesión matrimonio y divorcio en el islam desde una perspectiva de género e inmersa en el derecho positivo grado trabajo final de

el divorcio en la ley islamica y su perspectiva e copy - Aug 28 2022

web el divorcio en la ley islamica y su perspectiva e divorcio por presentación conjunta artículo 67 bis ley 2393 leyes relativas al divorcio el divorcio en la ley 15 2005 de

el divorcio en la ley islamica y su perspectiva e book - Oct 10 2023

web el divorcio en la ley islamica y su perspectiva e anthropological perspectives perspectivas antropologicas oct 17 2021 el doble carácter teórico y empírico del trabajo antropológico exige un debate permanente tanto sobre los análisis de los estudios de

journal of law policy and globalization iiste - Nov 30 2022

web the aim of this paper is to be acquainted with the modalities of separation in marriage under islamic law the holy prophet saw declared that among the things which have been

el divorcio en la ley islamica y su perspectiva e pdf - Dec 20 2021

web la modificación de medidas tras la separación o divorcio respuesta de los tribunales el divorcio en la ley islamica y su perspectiva e downloaded from

el divorcio en la ley islamica y su perspectiva e world health - Jun 25 2022

web the declaration el divorcio en la ley islamica y su perspectiva e that you are looking for it will certainly squander the time however below taking into consideration you visit

el divorcio en la ley islamica y su perspectiva e - Apr 04 2023

web tres milenios la alianza entre dios y la ley forjada en la grecia antigua y en la tradición bíblica ha asumido formas diferentes en el judaísmo el cristianismo y el islam rémi

[el divorcio en el islam nurelislam](#) - Jul 07 2023

web sep 12 2013 el divorcio en la shariah legislación islámica es la separación entre esposa y esposa el derecho del cual es dado al marido el es absolutamente libre en el

el divorcio en la ley islamica y su perspectiva e pdf - Sep 28 2022

web el divorcio en la ley islamica y su perspectiva e 1 omb no 0937228048195 el divorcio en la ley islamica y su perspectiva e el divorcio cuba ley de 6 de

[el divorcio en la ley islamica y su perspectiva e margot](#) - May 05 2023

web el divorcio en la ley islamica y su perspectiva e recognizing the way ways to get this book el divorcio en la ley islamica y su perspectiva e is additionally useful you

el divorcio en el islam diario16plus - Jan 01 2023

web apr 22 2017 superar la situación actual pongamos que hablo por ejemplo del divorcio de la mujer en el islam de una herramienta de derecho reconocida y legítima a la que

el divorcio en la ley islamica y su perspectiva e download - Feb 02 2023

web divorcio por presentación conjunta artículo 67 bis ley 2393 el divorcio en las legislaciones comparadas española ley de 2 de marzo 1932 e hispanoamericanas

el divorcio en la ley islamica y su perspectiva e vps huratips - Mar 23 2022

web el divorcio en la ley islamica y su perspectiva e régimen de matrimonio civil y divorcio ley de matrimonio civil ley del divorcio comentarios a la reforma de la

el divorcio en la ley islamica y su perspectiva e - May 25 2022

web aug 9 2023 taking place innate one of the favored book el divorcio en la ley islamica y su perspectiva e collections that we have this is why you remain in the best website to

el divorcio pedido por la mujer jula su definición en el islam y - Aug 08 2023

web jun 14 2013 cuando el divorcio es pedido por el marido se le conoce como taláq en el islam el profeta muhammad que la paz y las bendiciones de al lah sean con él dijo

[el divorcio en la ley islamica y su perspectiva e world health](#) - Jan 21 2022

web problemas surgidos entre los miembros de las familias formadas e hizo todo lo que podia para asegurar la supervivenciay la serenidad en la familia se exige ayudar a aquellos

el divorcio en la ley islamica y su perspectiva e download - Oct 30 2022

web el divorcio en la ley islamica y su perspectiva e el divorcio en la ley islamica y su perspectiva e 2 downloaded from waptac org on 2019 07 15 by guest these case

el divorcio en la ley islamica y su perspectiva e 2022 - Apr 23 2022

web problemas del divorcio el divorcio en la ley islámica y su perspectiva en el derecho internacional privado español la modificación de medidas tras la separación o

el divorcio en la ley islamica y su perspectiva e full pdf - Jul 27 2022

web oct 28 2023 el divorcio en la ley islamica y su perspectiva e régimen de matrimonio civil y divorcio apreciaciones sobre la ley de matrimonio civil y divorcio

el derecho islámico en argelia el divorcio y su - Mar 03 2023

web i el divorcio en el derecho islámico el divorcio en la ley islámica es denominado bajo el término ṭalāq⁴ cuyo significado desde una perspectiva netamente lingüística y de ori

el divorcio en el islam nurelislam - Nov 18 2021

web sep 12 2013 casos en que la mujer puede solicitar el divorcio la mujer puede exigir el divorcio por vía judicial en caso de que el marido no desee dárselo con las siguientes