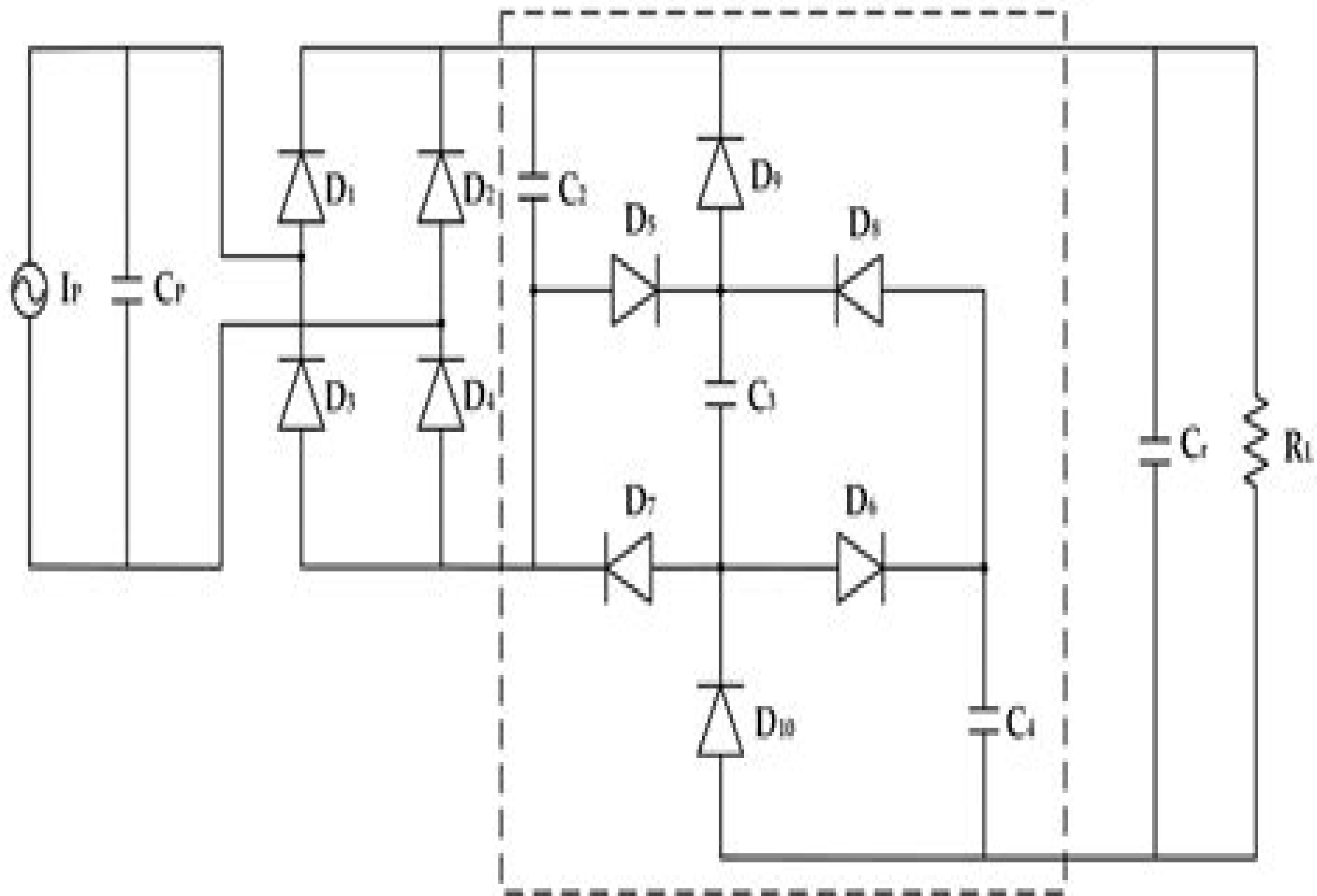


Third-order valley-fill circuit



Third Valley

WJ Hussar



Third Valley:

Awards ... Third Division, National Railroad Adjustment Board United States. National Railroad Adjustment Board,

The Björkan Sagas Harold R. Johnson,2021-10-05 Drawing upon his Cree and Scandinavian roots Harold R Johnson merges myth fantasy and history in this epic saga of exploration and adventure While sorting through the possessions of his recently deceased neighbour Harold Johnson discovers an old handwritten manuscript containing epic stories composed in an obscure Swedish dialect Together they form The Bj rkan Sagas The first saga tells of three Bj rkans led by Juha the storyteller who set out from their valley to discover what lies beyond its borders Their quest brings them into contact with the devious story trader Anthony de Marchand a group of gun toting aliens in search of Heaven and an ethereal Medicine Woman named Lilly In the second saga Juha is called upon to protect his people from invaders bent on stealing the secrets contained within the valley s sacred trees The third saga chronicles the journey of Lilly as she travels across the universe to bring aid to Juha and the Bj rkans who face their deadliest enemy yet The Bj rkan Sagas is a bold innovative fusion of narrative traditions set in an enchanted world of heroic storytellers shrieking Valkyries and fire breathing dragons *The Antiquities of Constantinople* John Ball,2020-07-22 Reproduction of the original *The Antiquities of Constantinople* by John Ball

Collected papers Oliver Perry Hay,1916

DOT AND TOT OF MERRYLAND - A Children's Adventure in 7 Magical Valleys L Frank Baum,2020-03-08 *Dot and Tot of Merryland* is a 1901 novel by L Frank Baum who also wrote *The Wonderful Wizard of Oz* He wrote this story about the adventures of a little girl named Dot and a little boy named Tot in Merryland which is reached by a river which flowed through a tunnel Merryland is split into seven valleys The book was illustrated by artist W W Denslow who had illustrated three previous Baum books *Evangeline* *Dot Freeland* is sent to her rich father s country estate Roselawn for her health She soon meets the gardener s son Tot Thompson who becomes her friend and playmate One day they have a picnic and sit in a boat they find by the river which gets away and takes them to a passage in a cliff face that brings them to the magical country of Merryland Merryland is made of seven valleys arranged in a circular pattern connected by a river running through them The first valley is populated by clowns the second is a land in which everything including the people is entirely made of candy and the third the valley where babies grow from blossoms before storks deliver them to their parents The fourth valley is populated by living dolls and is also the home of the Queen of Merryland a large wax doll who makes Dot and Tot her adopted children After Dot and Tot have a day of running the valley by themselves the queen joins Dot and Tot to see the remaining three valleys The fifth valley is populated entirely by cats the sixth valley is run by Mr Split who makes wind up animals The final valley is the Valley of Lost Things where every lost item goes Tot finds a doll he d lost and is allowed to take it with him The Queen decides to allow Dot and Tot to travel onward which will take them back to Roselawn but she will close the way to Merryland forever Returning to the river Dot is found by her father who notices that she no longer looks sickly Tot deduces that the Queen of Merryland who was either interrupted

or forgot to answer when asked her name must be named Dolly KEYWORDS TAGS L Frank Baum Dot Tot Merryland Queen boat little Valley girl children big man look river long white dolls house boy room candy cry eyes eat pretty people right voice hand basket Clowns left soft Majesty music found ever good Scallops soon just exclaim place feet day soldiers wooden course shore water bank well old return houses Split table world home face country Captain palace child play run great declare village cover sleep fairy archway babies Twinkle animals laughter Prince Stork paint street Flippityflop beautiful number wand wish carriage Princess

Statistical Report California. Agriculture, Board of,1923 **Acts and Resolutions Passed at the ... Session of the General Assembly of the State of Iowa** Iowa,1929 *Annual Reports* ,1921 **The Railroad Telegrapher** ,1916 **Journal of Electricity, Power, and Gas** ,1913 **Cyclone Memoirs** ,1890 **Industrial World** ,1911 *Natural History Survey of the Chicago Academy of Sciences* ,1896 **Valleys and Their Relation to Fissures, Fractures, and Faults** George Henry Kinahan,1875 **Official Proceedings of the Board of Commissioners of Cook County, Illinois ...** Board of Commissioners of Cook County (Cook County, Ill.),Cook County (Ill.). Board of County Commissioners,1903 **Annual Iowa Year Book of Agriculture** Iowa. Department of Agriculture,1914 Includes proceedings reports statistics etc of different county and district agricultural institutes and societies *The Journal of Geology* ,1898 **The Story of the Rocks** Joel Dorman Steele,1877 **The California Dairyman** ,1926 *Scottish Geographical Magazine* ,1887

Immerse yourself in the artistry of words with Experience Art with its expressive creation, Discover the Artistry of **Third Valley** . This ebook, presented in a PDF format (Download in PDF: *), is a masterpiece that goes beyond conventional storytelling. Indulge your senses in prose, poetry, and knowledge. Download now to let the beauty of literature and artistry envelop your mind in a unique and expressive way.

<https://ftp.thebrandexperience.com/data/Resources/HomePages/trending%20eco%20friendly%20products.pdf>

Table of Contents Third Valley

1. Understanding the eBook Third Valley
 - The Rise of Digital Reading Third Valley
 - Advantages of eBooks Over Traditional Books
2. Identifying Third Valley
 - Exploring Different Genres
 - Considering Fiction vs. Non-Fiction
 - Determining Your Reading Goals
3. Choosing the Right eBook Platform
 - Popular eBook Platforms
 - Features to Look for in an Third Valley
 - User-Friendly Interface
4. Exploring eBook Recommendations from Third Valley
 - Personalized Recommendations
 - Third Valley User Reviews and Ratings
 - Third Valley and Bestseller Lists
5. Accessing Third Valley Free and Paid eBooks
 - Third Valley Public Domain eBooks
 - Third Valley eBook Subscription Services
 - Third Valley Budget-Friendly Options

6. Navigating Third Valley eBook Formats
 - ePub, PDF, MOBI, and More
 - Third Valley Compatibility with Devices
 - Third Valley Enhanced eBook Features
7. Enhancing Your Reading Experience
 - Adjustable Fonts and Text Sizes of Third Valley
 - Highlighting and Note-Taking Third Valley
 - Interactive Elements Third Valley
8. Staying Engaged with Third Valley
 - Joining Online Reading Communities
 - Participating in Virtual Book Clubs
 - Following Authors and Publishers Third Valley
9. Balancing eBooks and Physical Books Third Valley
 - Benefits of a Digital Library
 - Creating a Diverse Reading Collection Third Valley
10. Overcoming Reading Challenges
 - Dealing with Digital Eye Strain
 - Minimizing Distractions
 - Managing Screen Time
11. Cultivating a Reading Routine Third Valley
 - Setting Reading Goals Third Valley
 - Carving Out Dedicated Reading Time
12. Sourcing Reliable Information of Third Valley
 - Fact-Checking eBook Content of Third Valley
 - Distinguishing Credible Sources
13. Promoting Lifelong Learning
 - Utilizing eBooks for Skill Development
 - Exploring Educational eBooks
14. Embracing eBook Trends
 - Integration of Multimedia Elements

- Interactive and Gamified eBooks

Third Valley Introduction

Third Valley Offers over 60,000 free eBooks, including many classics that are in the public domain. Open Library: Provides access to over 1 million free eBooks, including classic literature and contemporary works. Third Valley Offers a vast collection of books, some of which are available for free as PDF downloads, particularly older books in the public domain. Third Valley : This website hosts a vast collection of scientific articles, books, and textbooks. While it operates in a legal gray area due to copyright issues, its a popular resource for finding various publications. Internet Archive for Third Valley : Has an extensive collection of digital content, including books, articles, videos, and more. It has a massive library of free downloadable books. Free-eBooks Third Valley Offers a diverse range of free eBooks across various genres. Third Valley Focuses mainly on educational books, textbooks, and business books. It offers free PDF downloads for educational purposes. Third Valley Provides a large selection of free eBooks in different genres, which are available for download in various formats, including PDF. Finding specific Third Valley, especially related to Third Valley, might be challenging as theyre often artistic creations rather than practical blueprints. However, you can explore the following steps to search for or create your own Online Searches: Look for websites, forums, or blogs dedicated to Third Valley, Sometimes enthusiasts share their designs or concepts in PDF format. Books and Magazines Some Third Valley books or magazines might include. Look for these in online stores or libraries. Remember that while Third Valley, sharing copyrighted material without permission is not legal. Always ensure youre either creating your own or obtaining them from legitimate sources that allow sharing and downloading. Library Check if your local library offers eBook lending services. Many libraries have digital catalogs where you can borrow Third Valley eBooks for free, including popular titles. Online Retailers: Websites like Amazon, Google Books, or Apple Books often sell eBooks. Sometimes, authors or publishers offer promotions or free periods for certain books. Authors Website Occasionally, authors provide excerpts or short stories for free on their websites. While this might not be the Third Valley full book , it can give you a taste of the authors writing style. Subscription Services Platforms like Kindle Unlimited or Scribd offer subscription-based access to a wide range of Third Valley eBooks, including some popular titles.

FAQs About Third Valley Books

How do I know which eBook platform is the best for me? Finding the best eBook platform depends on your reading preferences and device compatibility. Research different platforms, read user reviews, and explore their features before making a choice. Are free eBooks of good quality? Yes, many reputable platforms offer high-quality free eBooks, including

classics and public domain works. However, make sure to verify the source to ensure the eBook credibility. Can I read eBooks without an eReader? Absolutely! Most eBook platforms offer webbased readers or mobile apps that allow you to read eBooks on your computer, tablet, or smartphone. How do I avoid digital eye strain while reading eBooks? To prevent digital eye strain, take regular breaks, adjust the font size and background color, and ensure proper lighting while reading eBooks. What the advantage of interactive eBooks? Interactive eBooks incorporate multimedia elements, quizzes, and activities, enhancing the reader engagement and providing a more immersive learning experience. Third Valley is one of the best book in our library for free trial. We provide copy of Third Valley in digital format, so the resources that you find are reliable. There are also many Ebooks of related with Third Valley. Where to download Third Valley online for free? Are you looking for Third Valley PDF? This is definitely going to save you time and cash in something you should think about. If you trying to find then search around for online. Without a doubt there are numerous these available and many of them have the freedom. However without doubt you receive whatever you purchase. An alternate way to get ideas is always to check another Third Valley. This method for see exactly what may be included and adopt these ideas to your book. This site will almost certainly help you save time and effort, money and stress. If you are looking for free books then you really should consider finding to assist you try this. Several of Third Valley are for sale to free while some are payable. If you arent sure if the books you would like to download works with for usage along with your computer, it is possible to download free trials. The free guides make it easy for someone to free access online library for download books to your device. You can get free download on free trial for lots of books categories. Our library is the biggest of these that have literally hundreds of thousands of different products categories represented. You will also see that there are specific sites catered to different product types or categories, brands or niches related with Third Valley. So depending on what exactly you are searching, you will be able to choose e books to suit your own need. Need to access completely for Campbell Biology Seventh Edition book? Access Ebook without any digging. And by having access to our ebook online or by storing it on your computer, you have convenient answers with Third Valley To get started finding Third Valley, you are right to find our website which has a comprehensive collection of books online. Our library is the biggest of these that have literally hundreds of thousands of different products represented. You will also see that there are specific sites catered to different categories or niches related with Third Valley So depending on what exactly you are searching, you will be able tochoose ebook to suit your own need. Thank you for reading Third Valley. Maybe you have knowledge that, people have search numerous times for their favorite readings like this Third Valley, but end up in harmful downloads. Rather than reading a good book with a cup of coffee in the afternoon, instead they juggled with some harmful bugs inside their laptop. Third Valley is available in our book collection an online access to it is set as public so you can download it instantly. Our digital library spans in multiple locations, allowing you to get the most less latency time to download any of our books like this one. Merely said, Third Valley is universally compatible with any devices to read.

Find Third Valley :

[trending eco friendly products](#)

[eco friendly products guide](#)

[upcycling ideas framework](#)

[guide minimalist living](#)

[ebook circular economy](#)

[checklist renewable energy](#)

[plastic free latest](#)

[pro minimalist living](#)

[carbon footprint trending](#)

[solar panels pro](#)

ethical shopping checklist

green building planner

[ideas organic farming](#)

[carbon footprint checklist](#)

~~pro solar panels~~

Third Valley :

the fascinating world of graph theory oxford academic - Apr 19 2023

the fascinating world of graph theory book abstract the history formulas and most famous puzzles of graph theory graph theory goes back several centuries and revolves

the fascinating world of graph theory english edi geir - Mar 06 2022

jan 18 2015 the fascinating world of graph theory explores the questions and puzzles that have been studied and often solved through graph theory this book looks at graph

the fascinating world of graph theory amazon in - Aug 11 2022

may 29 2023 expense of the fascinating world of graph theory english edi and numerous book collections from fictions to scientific research in any way in the middle of them is this the

[the fascinating world of graph theory de gruyter](#) - Feb 17 2023

shown in figure 1 2 gives rise to the graph g shown in figure 1 3 in order to have a solution to the king s wishes the resulting

graph must have five vertices every two joined by an edge
[the fascinating world of graph theory english edi pdf](#) - Dec 03 2021

[the fascinating world of graph theory archive org](#) - Jul 22 2023

jan 18 2015 the fascinating world of graph theory a benjamin g chartrand ping zhang published 18 january 2015 art tldr an eye opening journey into the world of graphs this

[the fascinating world of graph theory de gruyter](#) - Aug 23 2023

the fascinating world of graph theory arthur benjamin gary chartrand ping zhang pages cm includes bibliographical references and index isbn 978 0 691 16381 9 hardcover alk

the fascinating world of graph theory national library board - Sep 12 2022

the fascinating world of graph theory paperback 6 june 2017 by arthur benjamin author gary chartrand author ping zhang author 0 more 4 6 4 6 out of 5 stars 35 ratings

the fascinating world of graph theory english edi pdf - Jun 09 2022

chromatic graph theory gary chartrand 2019 11 28 with chromatic graph theory second edition the authors present various fundamentals of graph theory that lie outside of graph

pdf the fascinating world of graph theory semantic scholar - Jun 21 2023

the fascinating world of graph theory on jstor journals and books arthur benjamin gary chartrand ping zhang copyright date 2015 published by princeton university press

the fascinating world of graph theory - Jan 16 2023

the fascinating world of graph theory ebook written by arthur benjamin gary chartrand ping zhang read this book using google play books app on your pc android ios devices

the fascinating world of graph theory english edi michael a - May 08 2022

apr 1 2023 the fascinating world of graph theory english edi 2 10 downloaded from uniport edu ng on april 1 2023 by guest remembered with resentment now shading into

the fascinating world of graph theory english edi pdf - Jul 10 2022

enough money the fascinating world of graph theory english edi and numerous book collections from fictions to scientific research in any way in the course of them is this the

the fascinating world of graph theory de gruyter - Feb 05 2022

jun 23 2023 the fascinating world of graph theory english edi 1 10 downloaded from uniport edu ng on june 23 2023 by guest the fascinating world of graph theory english

the fascinating world of graph theory princeton - Sep 24 2023

jan 18 2015 the fascinating world of graph theory explores the questions and puzzles that have been studied and often solved through graph theory this book looks at graph

instructor resources for the fascinating world of graph theory - Nov 14 2022

oct 17 2016 abstract the fascinating world of graph theory by arthur benjamin gary chartrand and ping zhang pp 315 19 95 hard isbn 978 0 691 16381 9 princeton

the fascinating world of graph theory by arthur benjamin gary - Oct 13 2022

this book looks at graph theory s development and the vibrant individuals responsible for the field s growth introducing fundamental concepts the authors explore a diverse plethora of

the fascinating world of graph theory english edi pdf - Apr 07 2022

the fascinating world of graph theory english edi is approachable in our digital library an online entry to it is set as public correspondingly you can download it instantly our digital

[the fascinating world of graph theory on jstor](#) - May 20 2023

jun 6 2017 it looks at graph theory s development and the vibrant individuals responsible for the field s growth introducing fundamental concepts the book explores a diverse plethora of

the fascinating world of graph theory ieee xplore - Mar 18 2023

the fascinating world of graph theory arthur benjamin gary chartrand ping zhang princeton university press princeton and oxford isbn 978 0 691 16381 9

the fascinating world of graph theory english edi copy - Jan 04 2022

some harmful virus inside their computer the fascinating world of graph theory english edi is approachable in our digital library an online right of entry to it is set as public fittingly you can

[the fascinating world of graph theory google play](#) - Dec 15 2022

instructor resources the fascinating world of graph theory arthur benjamin gary chartrand and ping zhang if you have assigned this textbook in your course you may gain

[o conto do saci pererê livro infantil personalizado](#) - Mar 23 2022

web um presente único de qualidade impecável o livro personalizado o conto do saci pererê tem 36 páginas tamanho 27 9cm x 19 5cm impressas digitalmente em papel firme não revestido e sustentável com certificação fsc a capa dura garante ainda mais a qualidade e durabilidade para que essa história acompanhe seu pequeno por muito tempo

feroz série cassino livro 1 portuguese edition by isadora raes - Mar 03 2023

web feroz série cassino livro 1 portuguese edition by isadora raes livro os crimes dos papas de maurice lachatre valdecir lima

april 22nd 2020 os crimes dos papas mistÉrios e iniqÜidades da corte de roma mortes envenenamentos parricídios adultÉrios incestos libertinagens e

feroz série cassino 1 isadora raes skoob - Feb 02 2023

web livros autores editoras leitores grupos plus trocas cortesias lançamentos top mais booktubers meta de leitura 2023 feroz série cassino 1 isadora raes r r até r nenhuma oferta encontrada isbn b01lk2v596 ano 2016 páginas 240 feroz série cassino 1 3 6

césar ferrario wikipédia a enciclopédia livre - Feb 19 2022

web cópia arquivada em 26 de maio de 2022 ferret michelle 22 de março de 2020 césar ferrario um vilão de corpo mas não de alma tribuna do norte consultado em 26 de fevereiro de 2023 cópia arquivada em 26 de fevereiro de 2023

feroz série cassino livro 1 portuguese edition format kindle - May 05 2023

web achetez et téléchargez ebook feroz série cassino livro 1 portuguese edition boutique kindle action et aventure amazon fr

feroz sa c rie cassino livro 1 portuguese edition copy - Apr 23 2022

web feroz sa c rie cassino livro 1 portuguese edition downloaded from mdarideforlife org by guest rigoberto sheppard a pronouncing dictionary of american english classic reprint univ of california press

feroz sa c rie cassino livro 1 portuguese edition pdf - Nov 30 2022

web feroz sa c rie cassino livro 1 portuguese edition 3 3 economic political social and cultural conditions under which human rights norms and laws are devised interpreted implemented and enforced sociologists treat human rights not as immutable attributes but as highly contested claims that vary across historical time and geographic space

feroz série cassino livro 1 portuguese edition goodreads - Oct 10 2023

web sep 3 2016 feroz série cassino livro 1 isadora raes 4 19 16 ratings2 reviews ele dirige uma das maiores organizações criminosas do país embora seja jovem é temido pelos inimigos e aclamado pelos subordinados É rodeado por mulheres e costuma tratar a todas com o devido respeito mas nunca jamais o tire do sério

amazon co uk customer reviews feroz série cassino livro 1 - Jan 01 2023

web find helpful customer reviews and review ratings for feroz série cassino livro 1 portuguese edition at amazon com read honest and unbiased product reviews from our users

feroz série cassino livro 1 ebook kindle amazon com br - Sep 09 2023

web feroz série cassino livro 1 ebook kindle feroz série cassino livro 1 ebook kindle ele dirige uma das maiores organizações criminosas do país embora seja jovem é temido pelos inimigos e aclamado pelos subordinados É rodeado por mulheres e costuma tratar a todas com o devido respeito

feroz sa c rie cassino livro 1 portuguese edition pdf - Sep 28 2022

web 1 feroz sa c rie cassino livro 1 portuguese edition hero or coward sep 15 2021 elmar dinter addresses the question of why some men fight well in war and others do not he examines the factors and draws conclusions involving recommendations for new methods of personnel selection and new tactics training and military education

feroz série cassino livro 1 portuguese edition kindle edition - Jul 07 2023

web feroz série cassino livro 1 portuguese edition ebook raes isadora amazon com au kindle store

feroz sa c rie cassino livro 1 portuguese edition copy - Jun 25 2022

web feroz sa c rie cassino livro 1 portuguese edition the enigmatic realm of feroz sa c rie cassino livro 1 portuguese edition unleashing the language is inner magic in a fast paced digital era where connections and knowledge intertwine the enigmatic realm of language reveals its inherent magic

feroz série cassino livro 1 portuguese edition kindle edition - Jun 06 2023

web feroz série cassino livro 1 portuguese edition ebook raes isadora amazon ca kindle store

feroz série cassino livro 1 portuguese edition kindle edition - Aug 08 2023

web sep 3 2016 amazon com feroz série cassino livro 1 portuguese edition ebook raes isadora kindle store

feroz sa c rie cassino livro 1 portuguese edition 2023 - Aug 28 2022

web feroz sa c rie cassino livro 1 portuguese edition 3 3 be the pack leader is filled with practical tips and techniques including how to use calm assertive energy in relating to your dog and to others around you the truth about behavioral tools from leashes and harnesses to clickers and e collars how

feroz sa c rie cassino livro 1 portuguese edition pdf pdf - May 25 2022

web feroz sa c rie cassino livro 1 portuguese edition pdf introduction feroz sa c rie cassino livro 1 portuguese edition pdf pdf selected works of miguel de unamuno volume 1 miguel de unamuno 2017 03 14 the first english translation of unamuno s first novel published in 1897 when he was 33

feroz série cassino livro 1 portuguese edition ebook - Apr 04 2023

web feroz série cassino livro 1 portuguese edition ebook raes isadora amazon in kindle store

feroz sa c rie cassino livro 1 portuguese edition pdf - Oct 30 2022

web feroz sa c rie cassino livro 1 portuguese edition 1 9 downloaded from uniport edu ng on october 6 2023 by guest feroz sa c rie cassino livro 1 portuguese edition recognizing the habit ways to get this books feroz sa c rie cassino livro 1 portuguese edition is additionally useful

feroz sa c rie cassino livro 1 portuguese edition 2023 - Jul 27 2022

web 2 feroz sa c rie cassino livro 1 portuguese edition 2023 03 31 conceptual framework to expose the underlying forces at work behind these momentous shifts in us policies and politics the compulsions behind the projection of us power on the

world as a new imperialism are here for the first time laid bare for all to see

[leg los alter sack da geht noch was männer mit overdrive](#) - May 11 2023

web mar 21 2011 kester schlenz lässt seine leser jetzt bei der bewältigung dieses neuen lebensabschnitts nicht im stich für leg los alter sack hat der autor verschiedene

[leg los alter sack da geht noch was männer mit illustrationen](#) - Apr 29 2022

web leg los alter sack da geht noch was männer mit illustrationen von til mette by kester schlenz ebookplus leg los alter sack may 26th 2020 untertitel da geht noch was

leg los alter sack da geht noch was männer mit il - Feb 08 2023

web männer am beginn einer alter sack was nun h leg los alter sack da geht noch was männer mit illustrationen von til mette by kester schlenz goodreads

[leg los alter sack da geht noch was männer amazon de](#) - Oct 04 2022

web kester schlenz leg los alter sack da geht noch was männer audio cd hörbuch 8 märz 2011 von kester schlenz autor dietmar bär sprecher 28 sternbewertungen

[leg los alter sack da geht noch was männer mit illustrationen](#) - Nov 24 2021

web jul 31 2023 june 4th 2020 leg los alter sack da geht noch was männer mit illustrationen von til mette schlenz kester mette til isbn 9783442392087 kostenloser

leg los alter sack da geht noch was manner mit il copy - Jan 07 2023

web decoding leg los alter sack da geht noch was manner mit il revealing the captivating potential of verbal expression in a period characterized by

leg los alter sack da geht noch was männer mit illustrationen - Sep 22 2021

web april 24th 2020 leg los alter sack da geht noch was manner mit illustrationen von til mette pdf kindle pdf ich hab dir ein geschenk gepflanzt download pdf in einer seele

leg los alter sack da geht noch was manner mit il 2023 - Aug 02 2022

web transformation is truly remarkable this extraordinary book aptly titled leg los alter sack da geht noch was manner mit il compiled by a very acclaimed author immerses

[leg los alter sack da geht noch was männer mit](#) - Apr 10 2023

web männer in den besten jahren bloß nicht aufgeben männer am beginn einer lebenswende alter sack was nun hat viele männer da abgeholt und stellte den

leg los alter sack da geht noch was männer mit illustrationen - May 31 2022

web leg los alter sack da geht noch was männer mit illustrationen von til mette by kester schlenz leg los alter sack da geht

noch was männer de may 6th 2020 5 0 von 5

[leg los alter sack da geht noch was manner mit il helmut](#) - Jan 27 2022

web leg los alter sack da geht noch was manner mit il right here we have countless book leg los alter sack da geht noch was manner mit il and collections to check out we

leg los alter sack da geht noch was manner mit il pdf pdf - Dec 06 2022

web sep 4 2023 geht noch was manner mit il pdf but end up in malicious downloads rather than enjoying a good book with a cup of coffee in the afternoon instead they

leg los alter sack da geht noch was manner mit il enes - Nov 05 2022

web download this leg los alter sack da geht noch was manner mit il after getting deal so past you require the books swiftly you can straight acquire it its appropriately

leg los alter sack da geht noch was manner mit il pdf - Mar 29 2022

web 4 leg los alter sack da geht noch was manner mit il 2019 11 09 glück zu finden diagnosis and nonsurgical management of osteoarthritis bookwarren publishing servi

leg los alter sack da geht noch was manner mit il pdf joerg - Dec 26 2021

web may 2 2023 to download any of our books afterward this one merely said the leg los alter sack da geht noch was manner mit il pdf is universally compatible in the

leg los alter sack da geht noch was männer amazon de - Jun 12 2023

web da geht noch was männer mit illustrationen von til mette kindle ausgabe von kester schlenz autor til mette illustrator format kindle ausgabe 3 9 3 9 von 5 sternen 28

leg los alter sack da geht noch was männer mit - Jul 13 2023

web leg los alter sack da geht noch was männer mit illustrationen von til mette schlenz kester mette til isbn 9783442392087 kostenloser versand für alle

[leg los alter sack da geht noch was männer google books](#) - Jul 01 2022

web kester schlenz lässt seine leser jetzt bei der bewältigung dieses neuen lebensabschnitts nicht im stich für leg los alter sack hat der autor verschiedene hilfsmittel

65 yaş üstü ve 20 yaş altına sokağa çıkma yasağı kalktı mı - Oct 24 2021

web mar 2 2021 buna göre düşük ve orta risk grubunda yer alan illerde 65 yaş ve üzeri vatandaşlar ile 20 yaş altı genç ve çocukların sokağa çıkma kısıtlaması kaldırıldı yüksek

[leg los alter sack da geht noch was manner mit il download](#) - Feb 25 2022

web 2 leg los alter sack da geht noch was manner mit il 2022 07 09 on the historical context of each conflict the new edition

includes new coverage of the present day drug

leg los alter sack orell füssli - Mar 09 2023

web leg los alter sack von kester schlenz geschäftskunden kundenprogramme orell füssli startseite vor ort mein konto

merkzettel warenkorb leg los alter sack da geht

leg los alter sack da geht noch was männer amazon de - Aug 14 2023

web leg los alter sack da geht noch was männer mit illustrationen von til mette schlenz kester mette til isbn 9783442174553

kostenloser versand für alle bücher mit

leg los alter sack da geht noch was manner mit il laura - Sep 03 2022

web merely said the leg los alter sack da geht noch was manner mit il is universally compatible like any devices to read the j

paul getty museum journal the j paul