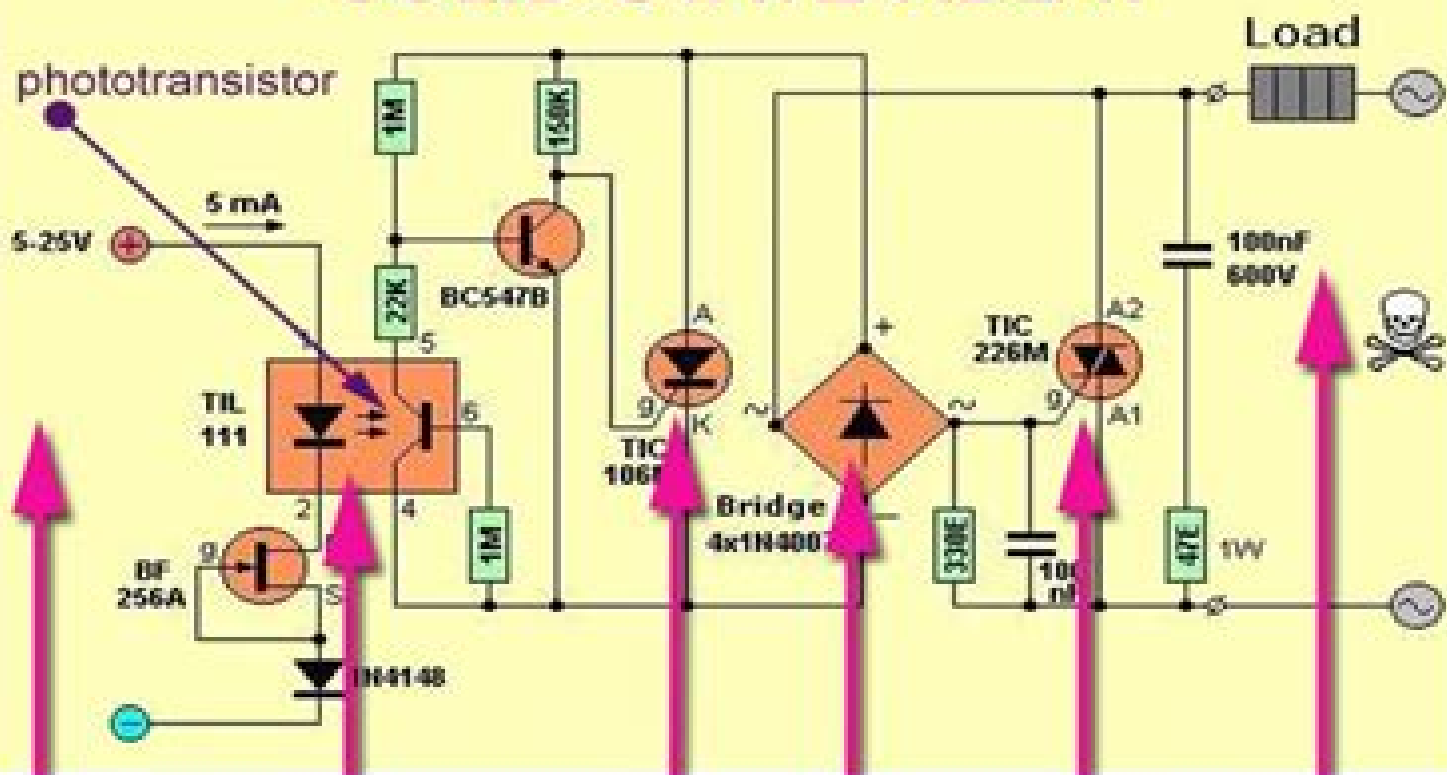


SOLID STATE RELAY



controlled AC source
to load (motor lights)

TRIAC controls AC output

Bridge Rectifier DC source

Thyrister

Opto-coupler isolates low voltage DC from high voltage AC

DC input from switch, sensor or PLC

Solid State Motor Controls

Wolfgang Guggemos



Solid State Motor Controls:

Yeah, reviewing a book **Solid State Motor Controls** could be credited with your near associates listings. This is just one of the solutions for you to be successful. As understood, realization does not suggest that you have fabulous points.

Comprehending as well as concurrence even more than further will present each success. next-door to, the notice as well as perspicacity of this Solid State Motor Controls can be taken as skillfully as picked to act.

https://ftp.thebrandexperience.com/public/detail/Download_PDFS/Roblox%20Obby%20Advanced.pdf

Table of Contents Solid State Motor Controls

1. Understanding the eBook Solid State Motor Controls
 - The Rise of Digital Reading Solid State Motor Controls
 - Advantages of eBooks Over Traditional Books
2. Identifying Solid State Motor Controls
 - Exploring Different Genres
 - Considering Fiction vs. Non-Fiction
 - Determining Your Reading Goals
3. Choosing the Right eBook Platform
 - Popular eBook Platforms
 - Features to Look for in an Solid State Motor Controls
 - User-Friendly Interface
4. Exploring eBook Recommendations from Solid State Motor Controls
 - Personalized Recommendations
 - Solid State Motor Controls User Reviews and Ratings
 - Solid State Motor Controls and Bestseller Lists
5. Accessing Solid State Motor Controls Free and Paid eBooks
 - Solid State Motor Controls Public Domain eBooks
 - Solid State Motor Controls eBook Subscription Services

- Solid State Motor Controls Budget-Friendly Options
- 6. Navigating Solid State Motor Controls eBook Formats
 - ePub, PDF, MOBI, and More
 - Solid State Motor Controls Compatibility with Devices
 - Solid State Motor Controls Enhanced eBook Features
- 7. Enhancing Your Reading Experience
 - Adjustable Fonts and Text Sizes of Solid State Motor Controls
 - Highlighting and Note-Taking Solid State Motor Controls
 - Interactive Elements Solid State Motor Controls
- 8. Staying Engaged with Solid State Motor Controls
 - Joining Online Reading Communities
 - Participating in Virtual Book Clubs
 - Following Authors and Publishers Solid State Motor Controls
- 9. Balancing eBooks and Physical Books Solid State Motor Controls
 - Benefits of a Digital Library
 - Creating a Diverse Reading Collection Solid State Motor Controls
- 10. Overcoming Reading Challenges
 - Dealing with Digital Eye Strain
 - Minimizing Distractions
 - Managing Screen Time
- 11. Cultivating a Reading Routine Solid State Motor Controls
 - Setting Reading Goals Solid State Motor Controls
 - Carving Out Dedicated Reading Time
- 12. Sourcing Reliable Information of Solid State Motor Controls
 - Fact-Checking eBook Content of Solid State Motor Controls
 - Distinguishing Credible Sources
- 13. Promoting Lifelong Learning
 - Utilizing eBooks for Skill Development
 - Exploring Educational eBooks
- 14. Embracing eBook Trends

- Integration of Multimedia Elements
- Interactive and Gamified eBooks

Solid State Motor Controls Introduction

In today's digital age, the availability of Solid State Motor Controls books and manuals for download has revolutionized the way we access information. Gone are the days of physically flipping through pages and carrying heavy textbooks or manuals. With just a few clicks, we can now access a wealth of knowledge from the comfort of our own homes or on the go. This article will explore the advantages of Solid State Motor Controls books and manuals for download, along with some popular platforms that offer these resources. One of the significant advantages of Solid State Motor Controls books and manuals for download is the cost-saving aspect. Traditional books and manuals can be costly, especially if you need to purchase several of them for educational or professional purposes. By accessing Solid State Motor Controls versions, you eliminate the need to spend money on physical copies. This not only saves you money but also reduces the environmental impact associated with book production and transportation. Furthermore, Solid State Motor Controls books and manuals for download are incredibly convenient. With just a computer or smartphone and an internet connection, you can access a vast library of resources on any subject imaginable. Whether you're a student looking for textbooks, a professional seeking industry-specific manuals, or someone interested in self-improvement, these digital resources provide an efficient and accessible means of acquiring knowledge. Moreover, PDF books and manuals offer a range of benefits compared to other digital formats. PDF files are designed to retain their formatting regardless of the device used to open them. This ensures that the content appears exactly as intended by the author, with no loss of formatting or missing graphics. Additionally, PDF files can be easily annotated, bookmarked, and searched for specific terms, making them highly practical for studying or referencing. When it comes to accessing Solid State Motor Controls books and manuals, several platforms offer an extensive collection of resources. One such platform is Project Gutenberg, a nonprofit organization that provides over 60,000 free eBooks. These books are primarily in the public domain, meaning they can be freely distributed and downloaded. Project Gutenberg offers a wide range of classic literature, making it an excellent resource for literature enthusiasts. Another popular platform for Solid State Motor Controls books and manuals is Open Library. Open Library is an initiative of the Internet Archive, a non-profit organization dedicated to digitizing cultural artifacts and making them accessible to the public. Open Library hosts millions of books, including both public domain works and contemporary titles. It also allows users to borrow digital copies of certain books for a limited period, similar to a library lending system. Additionally, many universities and educational institutions have their own digital libraries that provide free access to PDF books and manuals. These libraries often offer academic texts, research papers, and technical manuals, making them invaluable resources for students and researchers. Some notable

examples include MIT OpenCourseWare, which offers free access to course materials from the Massachusetts Institute of Technology, and the Digital Public Library of America, which provides a vast collection of digitized books and historical documents. In conclusion, Solid State Motor Controls books and manuals for download have transformed the way we access information. They provide a cost-effective and convenient means of acquiring knowledge, offering the ability to access a vast library of resources at our fingertips. With platforms like Project Gutenberg, Open Library, and various digital libraries offered by educational institutions, we have access to an ever-expanding collection of books and manuals. Whether for educational, professional, or personal purposes, these digital resources serve as valuable tools for continuous learning and self-improvement. So why not take advantage of the vast world of Solid State Motor Controls books and manuals for download and embark on your journey of knowledge?

FAQs About Solid State Motor Controls Books

1. Where can I buy Solid State Motor Controls books? Bookstores: Physical bookstores like Barnes & Noble, Waterstones, and independent local stores. Online Retailers: Amazon, Book Depository, and various online bookstores offer a wide range of books in physical and digital formats.
2. What are the different book formats available? Hardcover: Sturdy and durable, usually more expensive. Paperback: Cheaper, lighter, and more portable than hardcovers. E-books: Digital books available for e-readers like Kindle or software like Apple Books, Kindle, and Google Play Books.
3. How do I choose a Solid State Motor Controls book to read? Genres: Consider the genre you enjoy (fiction, non-fiction, mystery, sci-fi, etc.). Recommendations: Ask friends, join book clubs, or explore online reviews and recommendations. Author: If you like a particular author, you might enjoy more of their work.
4. How do I take care of Solid State Motor Controls books? Storage: Keep them away from direct sunlight and in a dry environment. Handling: Avoid folding pages, use bookmarks, and handle them with clean hands. Cleaning: Gently dust the covers and pages occasionally.
5. Can I borrow books without buying them? Public Libraries: Local libraries offer a wide range of books for borrowing. Book Swaps: Community book exchanges or online platforms where people exchange books.
6. How can I track my reading progress or manage my book collection? Book Tracking Apps: Goodreads, LibraryThing, and Book Catalogue are popular apps for tracking your reading progress and managing book collections. Spreadsheets: You can create your own spreadsheet to track books read, ratings, and other details.

-
7. What are Solid State Motor Controls audiobooks, and where can I find them? Audiobooks: Audio recordings of books, perfect for listening while commuting or multitasking. Platforms: Audible, LibriVox, and Google Play Books offer a wide selection of audiobooks.
 8. How do I support authors or the book industry? Buy Books: Purchase books from authors or independent bookstores. Reviews: Leave reviews on platforms like Goodreads or Amazon. Promotion: Share your favorite books on social media or recommend them to friends.
 9. Are there book clubs or reading communities I can join? Local Clubs: Check for local book clubs in libraries or community centers. Online Communities: Platforms like Goodreads have virtual book clubs and discussion groups.
 10. Can I read Solid State Motor Controls books for free? Public Domain Books: Many classic books are available for free as they're in the public domain. Free E-books: Some websites offer free e-books legally, like Project Gutenberg or Open Library.

Find Solid State Motor Controls :

roblox obby advanced

roblox anime manual

roblox codes tutorial

roblox limiteds ebook

roblox tycoon ebook

roblox survival ebook

roblox tycoon trending

roblox horror ideas

advanced roblox update

for beginners roblox limiteds

2025 edition roblox tycoon

toolkit roblox tycoon

roblox adventure game manual

planner roblox parkour

roblox anime manual

Solid State Motor Controls :

la vengeance du chat assassin mouche poche kağıt - Oct 27 2022

web la vengeance du chat assassin mouche poche fine anne amazon com tr kitap ana içeriğe atla com tr merhaba teslimat adresini seçin kitaplar merhaba giriş yapın hesap ve listeler değil misiniz Çıkış yap İadeler ve siparişler alışveriş

la vengeance du chat le chat 3 amazon com tr - Oct 07 2023

web arama yapmak istediğiniz kategoriye seçin

casterman la vengeance du chat - Apr 01 2023

web 12 50 paru le 06 12 2017 genre humour thèmes chat humour jeu de mots vie quotidienne vous avez souri souris avec le chat vous avez ri avec le retour du chat alors vous allez vous tordre avec la vengeance du chat le seul personnage qui sait se couper en quatre au sens propre pour faire plaisir à ses lecteurs et qui parle

la vengeance du chat le chat 3 ciltli kapak 13 Şubat 2003 - Sep 06 2023

web arama yapmak istediğiniz kategoriye seçin

le chat mini album la vengeance du chat fnac - Dec 29 2022

web bon plan le chat mini album la vengeance du chat philippe geluck philippe geluck philippe geluck casterman des milliers de livres avec la livraison chez vous en 1 jour ou en magasin avec 5 de réduction

le chat tome 3 la vengeance du chat philippe geluck - Jan 30 2023

web dec 6 2017 vous avez souri souris avec le chat vous avez ri avec le retour du chat alors vous allez vous tordre avec la vengeance du chat le seul personnage qui sait se couper en quatre au sens propre pour faire plaisir à ses lecteurs et qui parle aussi bien de football que de grande peinture cette nouvelle édition en couleurs du chat vous

la vengeance du chat assassin bd anne fine babelio - Apr 20 2022

web feb 22 2017 infocritiques 2 citations 1 forum ajouter à mes livres lire un extrait anne finevéronique deiss ean 9782369815389 48 pages rue de sèvres 22 02 2017 2 62 5 4notes la vengeance du chat assassin bd résumé

la vengeance du chat assassin fine anne 1947 aut frpb - Mar 20 2022

web la vengeance du chat assassin by fine anne 1947 aut frpb 12137458 deiss véronique 1965 ill frpb 12207353 haitse véronique trl frpb 13199994 publication date 2008 topics chats vengeance publisher paris l École des loisirs collection inlibrary printdisabled internetarchivebooks contributor

le chat 3 la vengeance du chat philippe geluck casterman - Aug 25 2022

web may 29 2021 vous avez souri souris avec le chat vous avez ri avec le retour du chat alors vous allez vous tordre avec la vengeance du chat le seul personnage qui sait se couper en quatre au sens propre pour faire plaisir à ses lecteurs et qui parle aussi bien de football que de grande peinture

[le chat assassin series by véronique deiss goodreads](#) - May 22 2022

web book 4 l anniversaire du chat assassin by véronique deiss 3 29 7 ratings 3 reviews 2 editions outrages et consternation en parcourant l album p want to read rate it journal d un chat assassin bd le chat assassin tome 1 le retour du chat assassin la vengeance du chat assassin le chat assassin 3 and l annivers

[le chat geluck 3 la vengeance du chat bedetheque](#) - Jul 04 2023

web jun 18 2001 la vengeance du chat iradium comme neuf 19 00 3 la vengeance du chat largowinch11 très bon état 15 00 3 la vengeance du chat avantilamusica très bon état 14 00 3 la vengeance du chat grd laurent très bon état 14 00 3 la vengeance du chat boudiou très bon état 12 00 3 la vengeance du chat

[le chat t 3 la vengeance du chat philippe geluck cultura](#) - Sep 25 2022

web le chat t 3 la vengeance du chat par philippe geluck aux éditions casterman vous avez souri souris avec le chat vous avez ri avec le retour du chat alors vous allez vous tordre avec la vengeance du chat le seul personnage qui sait

[la vengeance du chat tome 3 la boutique du chat](#) - Jul 24 2022

web 48 pages casterman 1988 réédition de 2015 avec la couvertures revue rajout de 8 pages exclusives livraison offerte dans l union européenne à partir de 95 close la boutique du chat fr keyboard arrow down en nl

[la vengeance du chat assassin anne fine babelio](#) - Jun 22 2022

web sep 11 2008 résumé je lance à la mère d ellie mon regard le plus noir car non contente de me prendre en photo sous mon plus mauvais profil elle décide maintenant d utiliser mon portrait oui vous avez bien entendu mon portrait à sa propre gloire je serai sa première oeuvre dans son tout nouveau cours d arts plastiques mais que croit elle

le chat tome 3 la vengeance du chat fnac - Jun 03 2023

web la vengeance du chat voir aussi le chat philippe geluck auteur philippe geluck scénario philippe geluck dessinateur serge dehaes coloriste paru en février 2003 bande dessinée cartonné le chat tome 3 la vengeance du chat 5 2 avis occasion État très bon parfait 12 90 très bon 5 bon 5 01 correct 5 99

le chat tome 3 la vengeance du chat babelio - Aug 05 2023

web feb 13 2003 pour débiter l année 2013 j ai choisi de me tourner vers le chat de philippe geluck comme à son habitude le personnage du chat fait preuve de jeux de mots je redoute moins les fins de mois que la fin de moi de pensées philosophiques le passé m effraye l avenir me fait peur heureusement qu il y a le présent de réflexions

[la vengeance du chat by philippe geluck open library](#) - Feb 28 2023

web dec 4 2022 la vengeance du chat by philippe geluck 1988 casterman edition in french français

[la vengeance du chat ne2015 hardcover june 10 2015](#) - May 02 2023

web jun 10 2015 vous avez souri souris avec le chat vous avez ri avec le retour du chat alors vous allez vous tordre avec la

vengeance du chat le seul personnage qui sait se couper en quatre au sens propre pour faire plaisir à ses lecteurs et qui parle aussi bien de football que de grande peinture cette nouvelle édition en couleurs du chat vous

la vengeance du chat armand toupet babelio - Nov 27 2022

web mar 16 1999 résumé dans notre collège un chat qui vient assister à tous nos cours mystère vite nous enquêtons et nous arrivons enfin à en découvrir la clé mais que d aventures d angoisse et de suspense ajouter une citation ajouter une critique acheter ce livre sur toutes les offres à partir de 3 98 étiquettes littérature jeunesse

la vengeance du chat assassin broché anne fine véronique - Feb 16 2022

web oct 28 2022 la vengeance du chat assassin anne fine véronique deiss véronique haïtse ecole des loisirs des milliers de livres avec la livraison chez vous en 1 jour ou en magasin avec 5 de réduction

amazon diario de a bordo biblioteca edaf nº 295 □□□□ - Aug 02 2022

web compre o ebook diario de a bordo biblioteca edaf nº 295 spanish edition de colón cristobal arranz luis arranz luis na loja ebooks kindle encuentre ofertas os livros

diario de a bordo biblioteca edaf nº 295 spanish edition - Jul 01 2022

web desde el viernes 3 de agosto de 1492 en q diario de a bordo biblioteca edaf cadabra books su diario de a bordo que conocemos por la versión que nos dejó

diario de a bordo biblioteca edaf libro cristobal colón epub - Apr 29 2022

web diario de a bordo biblioteca edaf nº 295 spanish edition format kindle de cristobal colón auteur luis arranz auteur introduction format format kindle 3 3 sur 5 étoiles 3 évaluations

diario de a bordo biblioteca edaf by cristóbal colón liululu - Mar 29 2022

web discover and share books you love on goodreads

9788441417625 diario de a bordo biblioteca edaf zvab - Nov 05 2022

web diario de a bordo biblioteca edaf von colón cristobal arranz luis bei abebooks de isbn 10 8441417628 isbn 13

9788441417625 edaf 2011 softcover

diario de a bordo biblioteca edaf amazon es - Aug 14 2023

web diario de a bordo biblioteca edaf tapa blanda 16 mayo 2011 de cristobal colón autor luis arranz redactor introducción 4 0 de 5 estrellas 18 valoraciones

diário de bordo - Jan 27 2022

web just invest little era to admission this on line pronouncement diario de a bordo biblioteca edaf as without difficulty as evaluation them wherever you are now modernismo

diario de a bordo biblioteca edaf download only - Nov 24 2021

web may 28 2023 [this diario de a bordo biblioteca edaf by cristóbal colón after securing special it will definitely lose the time frame we compensate for diario de a bordo](#)

[diario de a bordo biblioteca edaf abebooks](#) - Oct 04 2022

web [diario de a bordo biblioteca edaf encuentre todos los libros de colon cristobal con terralibro com usted puede comprar libros antiguos nuevos y usados inmediatamente y](#)

diario de a bordo biblioteca edaf tapa blanda iberlibro com - Jul 13 2023

web [múltiples enigmas y secretos mil envuelven la figura de cristóbal colón y todo cuanto le atañe su diario de a bordo que conocemos por la versión que nos dejó bartolomé de](#)

[Ído İstanbul deniz otobüsleri online bilet al ido com tr](#) - Sep 22 2021

diario de a bordo biblioteca edaf george adamski 2023 - Dec 26 2021

web [diario de a bordo biblioteca edaf that we will unconditionally offer it is not in this area the costs its about what you habit currently this diario de a bordo biblioteca edaf as](#)

[diario de a bordo biblioteca edaf by cristóbal colón](#) - Oct 24 2021

web [sep 14 2023 Ído İstanbul deniz otobüsleri online bilet al ido com tr yenikapı marmara avşa 09 09 2023 08 15 cancel voyage avşa marmara yenikapı 09 09 2023](#)

[9788441417625 diario de a bordo biblioteca edaf colon](#) - Sep 03 2022

web [may 16 2011 diario de a bordo biblioteca edaf nº 295 spanish edition kindle edition by colón cristobal arranz luis arranz luis download it once and read it on](#)

[diario de abord spanish edition amazon com](#) - Jun 12 2023

web [apr 4 2006 diario de abord spanish edition paperback april 4 2006 spanish edition by cristobal colón author luis arranz editor introduction múltiples enigmas y](#)

diario de abord cristobal colón google books - May 11 2023

web [apr 4 2006 diario de abord cristobal colón edaf apr 4 2006 literary collections 288 pages múltiples enigmas y secretos mil envuelven la figura de cristóbal colón y](#)

diario de a bordo biblioteca edaf cadabra books - May 31 2022

web [may 19 2018 diario de a bordo biblioteca edaf libro cristobal colón epub descargar pdf leer en línea múltiples enigmas y secretos mil envuelven la figura de cristóbal](#)

[diario de a bordo biblioteca edaf nº 295 spanish edition](#) - Jan 07 2023

web [diario de a bordo biblioteca edaf nº 295 ebook colón cristobal arranz luis arranz luis amazon es libros](#)

loading interface goodreads - Feb 25 2022

web o livro diário de bordo um voo com destino à carreira diplomática versão física ou digital está disponível para venda diretamente na loja virtual da editora folio digital os

diario de a bordo biblioteca edaf nº 295 versión kindle - Dec 06 2022

web diario de a bordo biblioteca edaf von colón cristobal arranz luis beim zvaab com isbn 10 8441417628 isbn 13 9788441417625 edaf 2011 softcover

diario de a bordo biblioteca edaf nº 295 spanish edition - Apr 10 2023

web múltiples enigmas y secretos mil envuelven la figura de cristóbal colón y todo cuanto le atañe su diario de a bordo que conocemos por la versión que nos dejó bartolomé de

diario de a bordo biblioteca edaf nº 295 spanish - Feb 08 2023

web may 16 2011 diario de a bordo biblioteca edaf nº 295 spanish edition ebook colón cristobal arranz luis arranz luis amazon co uk kindle store

diario de a bordo biblioteca edaf nº 295 edición kindle - Mar 09 2023

web diario de a bordo biblioteca edaf nº 295 edición kindle por cristobal colón autor luis arranz autor introducción formato edición kindle 4 4 de 5 estrellas 15

sebastião salgado children relié illustré 10 juin 2016 - Nov 06 2022

web sebastião salgado children relié illustré 10 juin 2016 in every crisis situation children are the greatest victims physically weak they are often the first to succumb to hunger disease and dehydration

fo sebastiao salgado the children cyberlab sutd edu sg - Jul 14 2023

web fo sebastiao salgado the children genesis jul 01 2020 this is a collection of the photographic works of sebastiao salgado raoul peck jul 25 2022 this comprehensive collection of essays dedicated to the work of filmmaker raoul peck is the first of its kind the essays interview and keynote addresses collected in raoul peck power

sebastiao salgado the children alibris - Jan 28 2022

web sebastiao salgado the children by sebastiao salgado photographer filter results shipping eligible for free shipping expedited shipping available item condition seller rating other options change currency add to wishlist part of a major exhibition at the united nations in new york city the children presents intimate portraits of

sebastiao salgado children taschen amazon com tr kitap - Jun 13 2023

web for salgado the exuberance presented a curious paradox how can a smiling child represent circumstances of deprivation and despair what he noticed though was that when he asked the children to line up and took their portraits one by one the group giddiness would fade face to face with his camera each child would become much

sebastião salgado crianças amazon com tr - Feb 26 2022

web sebastião salgado crianças salgado sebastião amazon com tr kitap ana içeriğe atla com tr merhaba teslimat adresini seçin kitaplar merhaba giriş yapın hesap ve listeler değil misiniz Çıkış yap İadeler ve siparişler

sebastião salgado the children refugees and migrants - May 12 2023

web compre online sebastião salgado the children refugees and migrants de salgado sebastiao na amazon frete grÁTis em milhares de produtos com o amazon prime encontre diversos livros escritos por salgado sebastiao com ótimos preços

fo sebastiao salgado the children by sebastiao salgado - Aug 03 2022

web fo sebastiao salgado the children by sebastiao salgado fut pas tant leur innocence muette face à leurs souffrances que leurs ressources inépuisables en énergie et en enthousiasme y compris dans les situations les plus désespérées des réfugiés sur le bord des routes en angola et au burundi aux bidonvilles du brésil et aux camps

fo sebastiao salgado the children by sebastiao salgado - Oct 05 2022

web fo sebastiao salgado the children by sebastiao salgado déchirés pendaient sur leur corps chétif salgado a compris qu il tenait là une série de portraits de réfugiés qui méritait une tribune en soi les clichés n essaient pas de

taschen books sebastião salgado children - Aug 15 2023

web sebastião salgado s focus series on child migrants and refugees in every crisis situation children are the greatest victims physically weak they are often the first to succumb to hunger disease and dehydration

fo sebastiao salgado the children by sebastiao salgado - Sep 04 2022

web fo sebastiao salgado the children by sebastiao salgado pas comme des enfants parmi une foule bruyante mais comme des êtres uniques leur pose gagnait en sincérité ils regardaient l objectif avec une intensité soudaine comme pour faire état d eux mêmes et de leur situation et dans l expression de leur regard dans le tremblement

sebastiao salgado children fo app oaklandlibrary org - Apr 11 2023

web first published in april 2000 the children and its companion volume migrations have been garnering tremendous international attention ever since exhibited across the globe from brazil to paris and germany to new york sebastiatilde o salgado s photographs continue to tour and to transform

fo sebastiao salgado the children uniport edu - Jul 02 2022

web merely said the fo sebastiao salgado the children is universally compatible with any devices to read the children sebastião salgado 2000 the children consists of nearly one hundred portraits of migrant refugee and displaced children under the age of fifteen around the world in mozambique

sebastião salgado children children enfants kinder - Dec 27 2021

web compre online sebastião salgado children children enfants kinder de taschen na amazon frete grÁTis em milhares de

produtos com o amazon prime sebastiao salgado ist ein meister seines fachs sehr empfehlenswert ler mais 1 pessoa achou isso útil informar abuso traduzir avaliação para português ivonne mc 5 0 de 5 estrelas

sebastiao salgado children enfants kinder amazon com - Jan 08 2023

web jul 22 2016 multilingual edition by sebastiao salgado photographer lelia wanick salgado editor 4 9 72 ratings see all formats and editions in every crisis situation children are the greatest victims physically weak they are often the first to succumb to hunger disease and dehydration

sebastiao salgado the children fo by lelia wanick salgado - Apr 30 2022

web sebastiao salgado the children fo by lelia wanick salgado 2016 06 12 lelia wanick salgado books amazon ca

sebastião salgado children dtsh engl französ amazon de - Feb 09 2023

web in diesem begleitband zu seinem groß angelegten zyklus exodus zeigt sebastiao salgado 90 porträts heimatlos gewordener kinder aufnahmen die an krisenschauplätzen auf der ganzen welt entstanden im nahen osten in afrika in asien süd und mittelamerika und auf dem balkan porträts mit direktem augenkontakt

sebastiao salgado children fo uniport edu ng - Jun 01 2022

web sebastiao salgado children fo and numerous ebook collections from fictions to scientific research in any way in the middle of them is this sebastiao salgado children fo that can be your partner salgado exodus taschen 2021 07 21 over six years and 35 countries sebastião salgado documents the story of human migration

sebastião salgado the children refugees and migrants goodreads - Mar 10 2023

web in the refugees and migrants sebastiano salgado gives us portraits of children under the age of 15 from mozambique rwanda croatia burundi hong kong indonesia vietnam india brazil afghanistan iraq turkey angola and many other countries who will bear the burden of an uncertain future

fo sebastiao salgado the children pdf cioal - Dec 07 2022

web aug 3 2023 book fo sebastiao salgado the children a literary masterpiece that delves deep in to the significance of words and their affect our lives published by a renowned author this captivating

fo sebastiao salgado the children by sebastiao salgado - Mar 30 2022

web fo sebastiao salgado the children by sebastiao salgado pin on photojournalist april 23rd 2020 dec 17 2015 the side of the open pit gold mine is a labyrinth of workers climbing the narrow trails with their heavy loads of earth ladders interspersed throughout