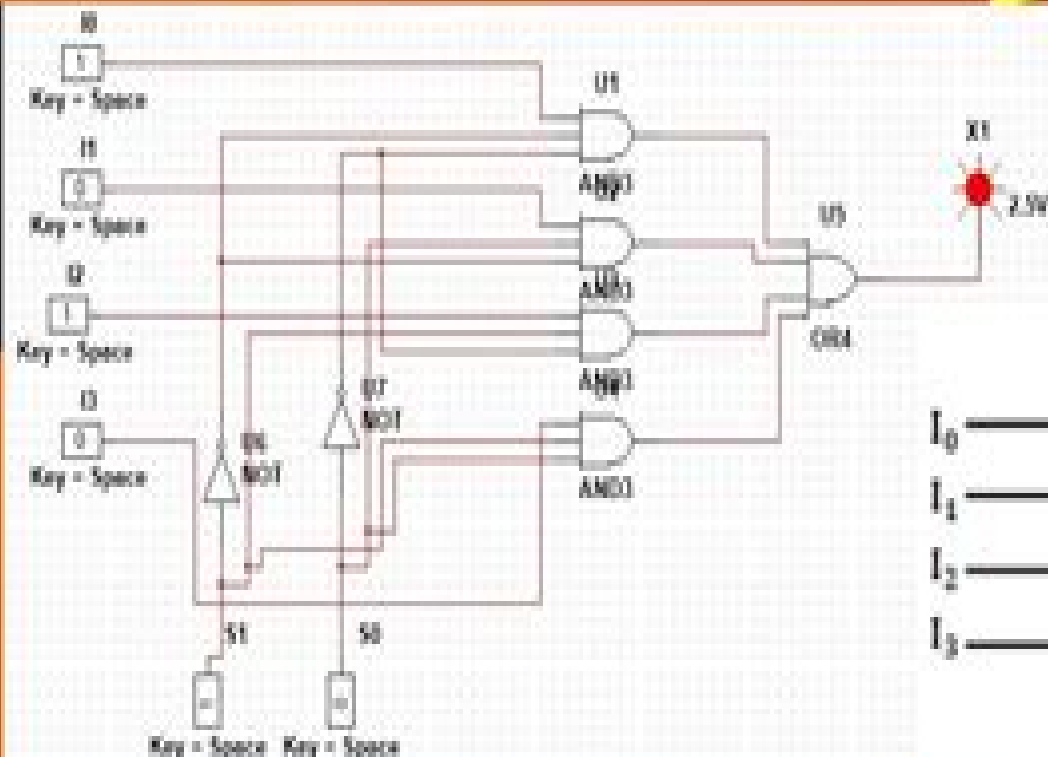


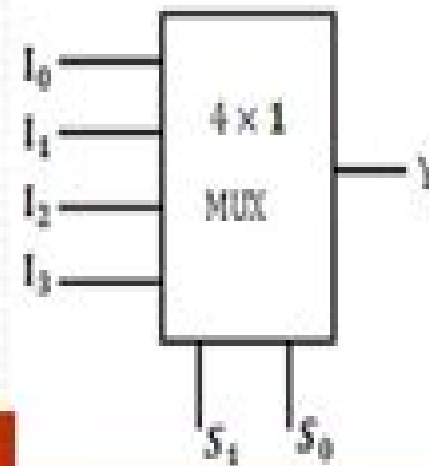
Design of a 4X1 Multiplexer Using Multisim



Multisim



#10



Truth table

S_1	S_0	Y
0	0	I_0
0	1	I_1
1	0	I_2
1	1	I_3

Using Multisim Digital Electronics

Roger L. Tokheim



Using Multisim Digital Electronics:

Circuit Analysis with Multisim David Baez-Lopez, Felix Guerrero-Castro, 2011-10-10 circuit simulation electrical circuits electronic circuits DC analysis transient analysis AC analysis frequency response Bode plots Fourier analysis operational amplifiers digital circuit simulation virtual instruments [Advanced Circuit Simulation Using Multisim Workbench](#) David Báez López, Félix E. Guerrero-Castro, Félix Guerrero-Castro, Ofelia Delfina Cervantes-Villagómez, 2012 Covers advanced analyses and the creation of models and subcircuits This book also includes coverage of transmission lines the special elements which are used to connect components in PCBs and integrated circuits Finally it includes a description of Ultiboard the tool for PCB creation from a circuit description in Multisim **Using MultiSIM** John Reeder, 2001-08-28 Using MultiSIM provides everything users need to transform a personal computer into a virtual electronics technician's workbench where digital circuits can be built and tested and on going analyses may performed as circuits are modified This 224 page workbook reinforces must know digital theory by providing opportunities to measure analyze and troubleshoot a variety of digital circuits in the safety of a state of the art highly interactive computer environment Complete coverage of essential digital electronics concepts spans the spectrum from basic logic devices through advanced circuits **Using MultiSIM** John Reeder, 2002 Using MultiSIM provides everything users need to transform a personal computer into a virtual electronics technician's workbench where digital circuits can be built and tested and on going analyses may performed as circuits are modified This 224 page workbook reinforces must know digital theory by providing opportunities to measure analyze and troubleshoot a variety of digital circuits in the safety of a state of the art highly interactive computer environment Complete coverage of essential digital electronics concepts spans the spectrum from basic logic devices through advanced circuits PALS PLDs and an introduction to microprocessors *Innovations in E-learning, Instruction Technology, Assessment and Engineering Education* Magued Iskander, 2007-09-04 This book includes a set of rigorously reviewed world class manuscripts addressing and detailing state of the art research projects in the areas of Engineering Education Instructional Technology Assessment and E learning The book presents selected papers from the conference proceedings of the International Conference on Engineering Education Instructional Technology Assessment and E learning EIAE 2006 All aspects of the conference were managed on line **Essential Circuit Analysis using NI Multisim™ and MATLAB®** Farzin Asadi, 2022-02-28 This textbook provides a compact but comprehensive treatment that guides students through the analysis of circuits using NI Multisim™ and MATLAB Ideal as a hands on source for courses in Circuits Electronics Digital Logic and Power Electronics this text focuses on solving problems using market standard software corresponding to all key concepts covered in the classroom The author uses his extensive classroom experience to guide students toward deeper understanding of key concepts while they gain facility with software they will need to master for later studies and practical use in their engineering careers *Computer Simulated Experiments for Digital Electronics Using Electronics Workbench Multisim*

Richard H. Berube,2004-09 This unique and innovative laboratory manual helps users learn and understand circuit analysis concepts by using Electronic Workbench software to simulate actual laboratory experiments on a computer Learners work with circuits drawn on the computer screen and with simulated instruments that act like actual laboratory instruments Circuits can be modified easily with on screen editing and analysis results provide fast accurate feedback Hands on in approach throughout in both interactive experiments and a series of questions about the results of each experiment it is more cost effective safer and more thorough and efficient than using hardwired experiments This For use with any DC AC text

Handbook of Microwave and Radar Engineering Anatoly Belous,2021-01-04 This comprehensive handbook provides readers with a single source reference to the theoretical fundamentals physical mechanisms and principles of operation of all known microwave devices and various radars The author discusses proven methods of computation and design development process schematic schematic technical and construction peculiarities of each breed of the microwave devices as well as the most popular and original technical solutions for radars Coverage also includes the history of creation of the most widely used radars as well as guidelines for their potential upgrading Offers readers a comprehensive systematized view of all contemporary knowledge acquired during the last 20 years on radars and related disciplines Provides a single source reference on the physical mechanisms and principles of operation of the basic components of radio location devices including theoretical aspects of designing the necessary high efficiency electronic devices and systems as well as key practical methods of computation and design Presents complex topics using simple language minimizing mathematics Computer Simulated Experiments for Electric Circuits Using Electronics Workbench Multisim Richard Henry Berube,2004 For courses in Electric Circuits This unique and innovative laboratory manual helps students learn and understand circuit analysis concepts by using Electronic Workbench software to simulate actual laboratory experiments on a computer Students work with circuits drawn on the computer screen and with simulated instruments that act like actual laboratory instruments Circuits can be modified easily with on screen editing and analysis results provide fast accurate feedback Hands on in approach throughout in both interactive experiments and a series of questions about the results of each experiment it is more cost effective safer and more thorough and efficient than using hardwired experiments This lab manual can be sold for use with any DC AC text Note This book no longer comes with a CD Any reference to a CD within the book is out of date and will be updated on our next printing The information from the CD is available online http://media.pearsoncmg.com/ph_chet_chet_electronics_student_1

Click on Older Titles **Experiments Manual for Digital Electronics** Roger L. Tokheim,2003 **Advances in Electronic Engineering, Communication and Management Vol.2** David Jin,Sally Lin,2012-01-18 This volume presents the main results of 2011 International Conference on Electronic Engineering Communication and Management EECM2011 held December 24 25 2011 Beijing China The EECM2011 is an integrated conference providing a valuable opportunity for researchers scholars and scientists to exchange their ideas face to face together The main focus of the EECM 2011 and the

present 2 volumes Advances in Electronic Engineering Communication and Management is on Power Engineering Electrical engineering applications Electrical machines as well as Communication and Information Systems Engineering This volume presents the main results of 2011 International Conference on Electronic Engineering Communication and Management EECM2011 held December 24 25 2011 Beijing China The EECM2011 is an integrated conference providing a valuable opportunity for researchers scholars and scientists to exchange their ideas face to face together The main focus of the EECM 2011 and the present 2 volumes Advances in Electronic Engineering Communication and Management is on Power Engineering Electrical engineering applications Electrical machines as well as Communication and Information Systems Engineering

Computer Simulated Experiments for Digital Electronics Using Electronics Workbench Richard H. Berube, 1999

COMBINATIONAL LOGIC CIRCUITS 1 Preliminary Concepts 2 Logic Gates INVERTER OR and AND 3 Logic Gates NAND and NOR 4 Boolean Theorems 5 Universality of NAND and NOR Gates 6 Analyzing Combinational Logic Circuits 7 Simplifying Combinational Logic Circuits 8 Logic Simplification Using Karnaugh Maps 9 Designing Combinational Logic Circuits 10 Troubleshooting Combinational Logic Circuits II ARITHMETIC LOGIC CIRCUITS 11 Logic Gates XOR and XNOR 12 Arithmetic Circuits 13 Parallel Binary Adder 14 BCD Adder 15 Parity Generator Checker 16 Magnitude Comparator 17 Troubleshooting Arithmetic Circuits III MSI LOGIC CIRCUITS 18 Decoders and Encoders 19 Multiplexers and Demultiplexers 20 Troubleshooting MSI Logic Circuits IV SEQUENTIAL LOGIC CIRCUITS 21 S R and D Latches 22 Edge triggered Flip Flops 23 Monostable and Astable Multivibrators 24 Registers and Data Storage 25 Asynchronous Counters 26 Synchronous Counters 27 BCD Counters 28 Troubleshooting Sequential Logic Circuits V INTERFACING THE ANALOG WORLD 29 Digital to Analog Converters 30 Analog to Digital Converters 31 Data Acquisition Appendix A IC Chip Pin Diagrams Appendix B Notes on Using Electronics Workbench Bibliography

Multisim Experiments for DC/AC, Digital, and Devices Courses Gary Snyder, David M. Buchla, 2011 The National Instruments Multisim software is a versatile design and simulation program The intent of this workbook is to simulate a laboratory experience in electronics and help you develop a working knowledge of the Multisim software to enter and analyze circuit designs The circuits in this manual illustrate fundamental concepts in dc ac digital and device electronics Each section will contain some background theory for the circuits that you will investigate but only to help provide context for the specific topics that the section will cover For best results you should use this workbook to supplement rather than replace a textbook that discusses the subject material in depth This manual provides suggested reading for each experiment

pub desc **Circuits** Fawwaz Tayssir Ulaby, Michel M. Maharbiz, 2010 **Experiments in Basic Circuits** David M. Buchla, 2007 Using MultiSIM 6.1 John Reeder, 2000 This unique workbook teaches how to troubleshoot circuits with the help MultiSIM TM 6 1 Working on the computer you will learn to make measurements replace components and test results just as you would in a lab Circuits contain built in faults to give you troubleshooting practice This exciting approach quickly builds the skill and confidence needed to do live circuit troubleshooting **Mastering**

Electronics Workbench John Adams,2001-04-30 Electronic Workbench EWB software has forever changed the face of electronics Including mixed mode circuit simulation schematic capture and PCB layout software it provides a virtual bench for learning experimenting with and simulating electronics including mixed mode circuit simulation schematic capture and PCB layout software Mastering Electronics Workbench by John Adams is your guide to successfully using Electronics Workbench You get detailed explanations of each component instrument and function You learn how to install the program how to use it to create circuit simulations and analysis models and how to make complex designs This guide is also packed with complete projects for hobbyists technicians and engineers each designed to help you learn the complexities of the program The book covers menu options creating a circuit the drag and drop interface the 2 minute circuit making a simple circuit advanced circuit simulations practical uses For EWB EWB layout software and much more *Bad to the Bone* Steven F. Barrett,Jason Kridner,2022-11-10 This comprehensive book provides detailed materials for both novice and experienced programmers using all BeagleBone variants which host a powerful 32 bit super scalar TI Sitara ARM Cortex A8 processor Authored by Steven F Barrett and Jason Kridner a seasoned ECE educator along with the founder of Beagleboard org respectively the work may be used in a wide variety of projects from science fair projects to university courses and senior design projects to first prototypes of very complex systems Beginners may access the power of the Bone through the user friendly Bonescript examples Seasoned users may take full advantage of the Bone s power using the underlying Linux based operating system a host of feature extension boards Capes and a wide variety of Linux community open source libraries The book contains background theory on system operation coupled with many well documented illustrative examples Examples for novice users are centered on motivational fun robot projectswhile advanced projects follow the theme of assistive technology and image processing applications Using MultiSIM John Reeder,2004-06 This workbook demonstrates how to troubleshoot faulty circuits using MultiSIM as the standard tool Working on the computer readers will learn to make measurements replace components and test results using the same processes and techniques that would be used in an actual hardware lab Each section features circuits with installed faults that provide users with realistic troubleshooting practice This highly engaging approach quickly builds the skill and confidence levels necessary to do live circuit troubleshooting in real world situations Using MultiSIM Troubleshooting DC AC Circuits 2E effectively supplements any standard DC AC text yet can also be used as a stand alone guide for fostering a thorough understanding of basic circuit fundamentals

Schematic Capture with Multisim 7 Marc E. Herniter,2004-07 Using step by step screen captures this in depth manual provides self paced learning in an easy to use format It shows learners how to use the Multisim 7 circuit simulation program from Electronics Workbench The book focuses on a wide range of circuits and features a collection of examples that show how to create a circuit how to run different analyses and how to obtain the results from those analyses Chapter topics cover editing a basic schematic the postprocessor and the grapher DC measurements DC sweep magnitude and phase

simulations time domain analyses and digital simulations For electrical engineers electronics engineers circuit simulation specialists computer engineers power electronics analog electronics and project managers

Unveiling the Energy of Verbal Artistry: An Emotional Sojourn through **Using Multisim Digital Electronics**

In a global inundated with screens and the cacophony of instantaneous communication, the profound energy and psychological resonance of verbal beauty usually diminish into obscurity, eclipsed by the constant barrage of noise and distractions. Yet, nestled within the lyrical pages of **Using Multisim Digital Electronics**, a charming perform of literary elegance that pulses with raw thoughts, lies an unforgettable journey waiting to be embarked upon. Published by a virtuoso wordsmith, that enchanting opus books readers on a mental odyssey, softly exposing the latent potential and profound impact embedded within the intricate internet of language. Within the heart-wrenching expanse of the evocative analysis, we shall embark upon an introspective exploration of the book is key themes, dissect their charming publishing type, and immerse ourselves in the indelible effect it leaves upon the depths of readers souls.

https://ftp.thebrandexperience.com/book/browse/Download_PDFS/the%20queens%20diamond.pdf

Table of Contents Using Multisim Digital Electronics

1. Understanding the eBook Using Multisim Digital Electronics
 - The Rise of Digital Reading Using Multisim Digital Electronics
 - Advantages of eBooks Over Traditional Books
2. Identifying Using Multisim Digital Electronics
 - Exploring Different Genres
 - Considering Fiction vs. Non-Fiction
 - Determining Your Reading Goals
3. Choosing the Right eBook Platform
 - Popular eBook Platforms
 - Features to Look for in an Using Multisim Digital Electronics
 - User-Friendly Interface
4. Exploring eBook Recommendations from Using Multisim Digital Electronics
 - Personalized Recommendations

- Using Multisim Digital Electronics User Reviews and Ratings
- Using Multisim Digital Electronics and Bestseller Lists
- 5. Accessing Using Multisim Digital Electronics Free and Paid eBooks
 - Using Multisim Digital Electronics Public Domain eBooks
 - Using Multisim Digital Electronics eBook Subscription Services
 - Using Multisim Digital Electronics Budget-Friendly Options
- 6. Navigating Using Multisim Digital Electronics eBook Formats
 - ePub, PDF, MOBI, and More
 - Using Multisim Digital Electronics Compatibility with Devices
 - Using Multisim Digital Electronics Enhanced eBook Features
- 7. Enhancing Your Reading Experience
 - Adjustable Fonts and Text Sizes of Using Multisim Digital Electronics
 - Highlighting and Note-Taking Using Multisim Digital Electronics
 - Interactive Elements Using Multisim Digital Electronics
- 8. Staying Engaged with Using Multisim Digital Electronics
 - Joining Online Reading Communities
 - Participating in Virtual Book Clubs
 - Following Authors and Publishers Using Multisim Digital Electronics
- 9. Balancing eBooks and Physical Books Using Multisim Digital Electronics
 - Benefits of a Digital Library
 - Creating a Diverse Reading Collection Using Multisim Digital Electronics
- 10. Overcoming Reading Challenges
 - Dealing with Digital Eye Strain
 - Minimizing Distractions
 - Managing Screen Time
- 11. Cultivating a Reading Routine Using Multisim Digital Electronics
 - Setting Reading Goals Using Multisim Digital Electronics
 - Carving Out Dedicated Reading Time
- 12. Sourcing Reliable Information of Using Multisim Digital Electronics
 - Fact-Checking eBook Content of Using Multisim Digital Electronics

- Distinguishing Credible Sources
- 13. Promoting Lifelong Learning
 - Utilizing eBooks for Skill Development
 - Exploring Educational eBooks
- 14. Embracing eBook Trends
 - Integration of Multimedia Elements
 - Interactive and Gamified eBooks

Using Multisim Digital Electronics Introduction

Free PDF Books and Manuals for Download: Unlocking Knowledge at Your Fingertips In today's fast-paced digital age, obtaining valuable knowledge has become easier than ever. Thanks to the internet, a vast array of books and manuals are now available for free download in PDF format. Whether you are a student, professional, or simply an avid reader, this treasure trove of downloadable resources offers a wealth of information, conveniently accessible anytime, anywhere. The advent of online libraries and platforms dedicated to sharing knowledge has revolutionized the way we consume information. No longer confined to physical libraries or bookstores, readers can now access an extensive collection of digital books and manuals with just a few clicks. These resources, available in PDF, Microsoft Word, and PowerPoint formats, cater to a wide range of interests, including literature, technology, science, history, and much more. One notable platform where you can explore and download free Using Multisim Digital Electronics PDF books and manuals is the internet's largest free library. Hosted online, this catalog compiles a vast assortment of documents, making it a veritable goldmine of knowledge. With its easy-to-use website interface and customizable PDF generator, this platform offers a user-friendly experience, allowing individuals to effortlessly navigate and access the information they seek. The availability of free PDF books and manuals on this platform demonstrates its commitment to democratizing education and empowering individuals with the tools needed to succeed in their chosen fields. It allows anyone, regardless of their background or financial limitations, to expand their horizons and gain insights from experts in various disciplines. One of the most significant advantages of downloading PDF books and manuals lies in their portability. Unlike physical copies, digital books can be stored and carried on a single device, such as a tablet or smartphone, saving valuable space and weight. This convenience makes it possible for readers to have their entire library at their fingertips, whether they are commuting, traveling, or simply enjoying a lazy afternoon at home. Additionally, digital files are easily searchable, enabling readers to locate specific information within seconds. With a few keystrokes, users can search for keywords, topics, or phrases, making research and finding relevant information a breeze. This efficiency saves time and effort, streamlining the learning process and allowing individuals to focus on extracting the

information they need. Furthermore, the availability of free PDF books and manuals fosters a culture of continuous learning. By removing financial barriers, more people can access educational resources and pursue lifelong learning, contributing to personal growth and professional development. This democratization of knowledge promotes intellectual curiosity and empowers individuals to become lifelong learners, promoting progress and innovation in various fields. It is worth noting that while accessing free Using Multisim Digital Electronics PDF books and manuals is convenient and cost-effective, it is vital to respect copyright laws and intellectual property rights. Platforms offering free downloads often operate within legal boundaries, ensuring that the materials they provide are either in the public domain or authorized for distribution. By adhering to copyright laws, users can enjoy the benefits of free access to knowledge while supporting the authors and publishers who make these resources available. In conclusion, the availability of Using Multisim Digital Electronics free PDF books and manuals for download has revolutionized the way we access and consume knowledge. With just a few clicks, individuals can explore a vast collection of resources across different disciplines, all free of charge. This accessibility empowers individuals to become lifelong learners, contributing to personal growth, professional development, and the advancement of society as a whole. So why not unlock a world of knowledge today? Start exploring the vast sea of free PDF books and manuals waiting to be discovered right at your fingertips.

FAQs About Using Multisim Digital Electronics Books

1. Where can I buy Using Multisim Digital Electronics books? Bookstores: Physical bookstores like Barnes & Noble, Waterstones, and independent local stores. Online Retailers: Amazon, Book Depository, and various online bookstores offer a wide range of books in physical and digital formats.
2. What are the different book formats available? Hardcover: Sturdy and durable, usually more expensive. Paperback: Cheaper, lighter, and more portable than hardcovers. E-books: Digital books available for e-readers like Kindle or software like Apple Books, Kindle, and Google Play Books.
3. How do I choose a Using Multisim Digital Electronics book to read? Genres: Consider the genre you enjoy (fiction, non-fiction, mystery, sci-fi, etc.). Recommendations: Ask friends, join book clubs, or explore online reviews and recommendations. Author: If you like a particular author, you might enjoy more of their work.
4. How do I take care of Using Multisim Digital Electronics books? Storage: Keep them away from direct sunlight and in a dry environment. Handling: Avoid folding pages, use bookmarks, and handle them with clean hands. Cleaning: Gently dust the covers and pages occasionally.

5. Can I borrow books without buying them? Public Libraries: Local libraries offer a wide range of books for borrowing. Book Swaps: Community book exchanges or online platforms where people exchange books.
6. How can I track my reading progress or manage my book collection? Book Tracking Apps: Goodreads, LibraryThing, and Book Catalogue are popular apps for tracking your reading progress and managing book collections. Spreadsheets: You can create your own spreadsheet to track books read, ratings, and other details.
7. What are Using Multisim Digital Electronics audiobooks, and where can I find them? Audiobooks: Audio recordings of books, perfect for listening while commuting or multitasking. Platforms: Audible, LibriVox, and Google Play Books offer a wide selection of audiobooks.
8. How do I support authors or the book industry? Buy Books: Purchase books from authors or independent bookstores. Reviews: Leave reviews on platforms like Goodreads or Amazon. Promotion: Share your favorite books on social media or recommend them to friends.
9. Are there book clubs or reading communities I can join? Local Clubs: Check for local book clubs in libraries or community centers. Online Communities: Platforms like Goodreads have virtual book clubs and discussion groups.
10. Can I read Using Multisim Digital Electronics books for free? Public Domain Books: Many classic books are available for free as they're in the public domain. Free E-books: Some websites offer free e-books legally, like Project Gutenberg or Open Library.

Find Using Multisim Digital Electronics :

the queens diamond

~~the protestation returns 1641-1642 and other contemporary listings~~

the quest in christian ritual and freemasonry

the rash act

the raging red the 1950 red river valley flood

~~the productivity challenge~~

the process evaluation handbook

[the psychology of time and death](#)

the puritan tradition in america 1620-1730 documentary history of the united states

the psalm of psaint mabel

the psychology of the courtroom

[the prophecies of nostradamus](#)

[the rationalists theory and design in the modern movement.](#)

the ranchers wife harlequin historical no. 470

[the pyramid plot puzzle adventures](#)

Using Multisim Digital Electronics :

fair game a hidden history of the kruger national park 1 - Jun 01 2022

web jun 28 2020 fair game tells the story of the kruger s hidden history and heritage from its establishment as the sabi reserve in 1898 to its eventual declaration as a national

[fair game a hidden history of the kruger national park](#) - Apr 30 2022

web fair game tells the story of the kruger s hidden history and heritage from its establishment as the sabi reserve in 1898 to its eventual declaration as a national park

download fair game a hidden history of the kruger national - Jul 02 2022

web fair game a hidden history of the kruger national park 1 hidden histories fleminger david amazon in books

fair game a hidden history of the kruger national park - Apr 11 2023

web jun 28 2020 fair game tells the story of the kruger s hidden history and heritage from its establishment as the sabi reserve in 1898 to its eventual declaration as a national

[fair game a hidden history of the kruger national park](#) - Aug 03 2022

web fair game tells the story of the kruger s hidden history and heritage from its establishment as the sabi reserve in 1898 to its eventual declaration as a national park

[fair game a hidden history of the kruger national park](#) - Aug 15 2023

web apr 3 2017 fair game tells the story of the kruger s hidden history and heritage from its establishment as the sabi reserve in 1898 to its eventual declaration as a national park and beyond it s an engrossing tale filled with stubborn personalities twists of fate

[fair game a hidden history of the kruger national](#) - May 12 2023

web jul 7 2012 fair game is the story of the hidden history and heritage of the kruger national park it s an engrossing and little known tale filled with boisterous personalities

fair game a hidden history of the kruger national park by david - Sep 04 2022

web fair game tells the story of the kruger s hidden history and heritage from its establishment as the sabi reserve in 1898 to its eventual declaration as a national park

fair game a hidden history of the kruger national park hidden - Oct 05 2022

web apr 13 2017 fair game tells the story of the kruger s hidden history and heritage from its establishment as the sabi reserve in 1898 to its eventual declaration as a uh oh it

fair game a hidden history of the kruger national park 1 - Feb 26 2022

web the kruger national park is a south african national park and one of the largest game reserves in africa originally known as the sabi game reserve it became a game

history of kruger national park wikipedia - Jan 28 2022

web jun 28 2020 fair game tells the story of the kruger s hidden history and heritage from its establishment as the sabi reserve in 1898 to its eventual declaration as a national

fair game a hidden history of the kruger national park hidden - Feb 09 2023

web apr 13 2017 buy fair game a hidden history of the kruger national park 1 hidden histories by fleminger david isbn 9780620646260 from amazon s book store

fair game a hidden history of the kruger national park - Dec 07 2022

web buy fair game a hidden history of the kruger national park by fleminger david online on amazon ae at best prices fast and free shipping free returns cash on delivery

fair game a hidden history of the kruger national park alibris - Mar 30 2022

web fair game a hidden history of the kruger national park 1 fleminger david amazon com au books

fair game a hidden history of the kruger national park 1 - Jan 08 2023

web fair game is the story of the hidden history and heritage of the kruger national park it s an engrossing and little known tale filled with boisterous personalities twists of fate

fair game a hidden history of the kruger national park by - Nov 06 2022

web fair game a hidden history of the kruger national park hidden histories book 1 ebook fleminger david amazon in kindle store

fair game a hidden history of the kruger national park apple - Mar 10 2023

web apr 3 2017 fair game tells the story of the kruger s hidden history and heritage from its establishment as the sabi reserve in 1898 to its eventual declaration as a national park

fair game a hidden history of the kruger national park hidden - Jul 14 2023

web apr 13 2017 fair game tells the story of the kruger s hidden history and heritage from its establishment as the sabi reserve in 1898 to its eventual declaration as a national

fair game a hidden history of the kruger national park - Dec 27 2021

web fair game a hidden history of the kruger national park hidden

[fair game a hidden history of the kruger national park hidden](#) - Jun 13 2023

web fair game tells the story of the kruger s hidden history and heritage from its establishment as the sabi reserve in 1898 to its eventual declaration as a national park

[fair game a hidden history of the kruger national park hidden](#) - Nov 25 2021

blanchard macroeconomics 8th editon pearson - Aug 02 2022

web macroeconomics covering a wide range of topics related to current developments blanchard s macroeconomics continues to be a seminal textbook for intermediate

macroeconomics global edition olivier blanchard google books - Jul 01 2022

web jan 17 2023 blanchard branson studies in macroeconomics in developing countries keynesian theory of income types and effects m shifts and rotations money multiplier

macroeconomics fifth canadian edition ebookmaster - Apr 29 2022

web dec 16 2002 newly revised and thoroughly updated this text helps students see how macroeconomics can be used to try to understand some of the most important issues of

macroeconomics fifth canadian edtion 5th edition - May 11 2023

web sep 29 2020 macroeconomics home business economics economics intermediate macroeconomics macroeconomics i m an educator macroeconomics 8th edition

macroeconomics 8th edition 8 ed 0134897897 9780134897899 - Mar 29 2022

web in macroeconomics blanchard presents an integrated global view of macroeconomics enabling students to see the connections between goods markets financial markets and

macroeconomics fifth canadian edition olivier blanchard - Apr 10 2023

web jul 19 2012 his published work includes the studies of canada s international debts the influence of american interest rates on canadian interest rates and the determination of

[macroeconomics 6th edition 6th edition amazon com](#) - Sep 03 2022

web macroeconomics fifth canadian edition authors olivier blanchard olivier jean blanchard david h johnson year 2014 publication pearson canada isbn

[macroeconomics fifth canadian edtion 5th edition](#) - Dec 06 2022

web a unified view of the latest macroeconomic events in macroeconomics blanchard presents an integrated global view of macroeconomics enabling students to see the

macroeconomics fourth canadian edition 4th edition - Jul 13 2023

web both rigorous and comprehensive the fifth canadian edition of blanchard and johnson s macroeconomics has the unique ability to clearly convey the life of macroeconomics

macroeconomics blanchard olivier jean blanchard - Jan 07 2023

web macroeconomics olivier j blanchard david r johnson pearson 2013 business economics 553 pages blanchard presents a unified and global view of

macroeconomics fifth edition blanchard filetype pdf canadian - Jan 27 2022

macroeconomics second canadian edition blanchard olivier - Nov 24 2021

macroeconomics olivier j blanchard google books - Nov 05 2022

web olivier blanchard pearson 2017 macroeconomics 35 pages in macroeconomics blanchard presents a unified global view of macroeconomics enabling students to

macroeconomics 6th edition blanchard olivier - Feb 08 2023

web he has done research on many macroeconomic issues from the effects of fiscal policy to the role of expectations to price rigidities to speculative bubbles to unemployment in

macroeconomics olivier j blanchard david r johnson - Oct 04 2022

web solution manual macroeconomics 5th canadian edition by olivier blanchard university university of toronto course macroeconomic theory and policy eco202y1

solution manual macroeconomics 5th canadian edition by - May 31 2022

web dec 17 2022 macroeconomics canadian fifth edition pdf ebook macroeconomics olivier blanchard 5th pdf macroeconomics from the greek prefix makro meaning

blanchard macroeconomics 8th editon pearson - Oct 24 2021

macroeconomics fifth canadian edition blanchard - Aug 14 2023

web jul 13 2009 one of the most rigorous and comprehensive books in intermediate macroeconomics blanchard and johnson not only convey the life of

macroeconomics pearson - Mar 09 2023

web may 19 2016 a unified view of the latest macroeconomic events in macroeconomics blanchard presents a unified global view of macroeconomics enabling readers to see

[macroeconomics fifth canadian edition blanchard filetype pdf](#) - Dec 26 2021

solutions manual for macroeconomics canadian 5th - Feb 25 2022

macroeconomics olivier j blanchard david r johnson - Jun 12 2023

web jan 9 2014 macroeconomics fifth canadian edition blanchard presents a unified and global view of macroeconomics enabling students to see the connections between the

[2013 a l accounting past paper sinhala medium paperhub](#) - Feb 26 2022

web part i and part ii of the 2013 advanced level accounting past paper are available for download or viewing online using the links provided below you can also download marking schemes all the past papers notes and marking schemes provided on

general certificate of education a level june 2013 webcalculate - Apr 30 2022

web mark scheme general certificate of education a level accounting accn1 june 2013 june 2013 accn1 mark scheme instructions to examiners you should remember that your marking standards should reflect the levels of performance of students mainly 17 years old writing under examination conditions positive marking

a level accounting mark scheme unit 01 webcalculate - Jan 28 2022

web mark scheme general certificate of education a level accounting accn1 january 2013 3 january 2013 accn1 mark scheme instructions to examiners you should remember that your marking standards should reflect the levels of performance of students mainly 17 years old writing under examination conditions positive marking

[mark scheme results january 2013 international gcse accounting](#) - Feb 09 2023

web mar 7 2013 all the marks on the mark scheme are designed to be awarded examiners should always award full marks if deserved i e if the answer matches the mark scheme examiners should also be prepared to award zero marks if the candidate s response is not worthy of credit according to the mark scheme

[mark scheme results january 2013 pearson qualifications](#) - Sep 04 2022

web mar 7 2013 january 2013 gce accounting 6002 01 edexcel and btec qualifications edexcel and btec qualifications come from pearson the world s leading learning deserved i e if the answer matches the mark scheme examiners should also be prepared to award zero marks if the candidate s response is not worthy of credit according

mark scheme results january 2013 - Aug 03 2022

web mark scheme to a candidate s response the team leader must be consulted crossed out work should be marked unless the candidate has replaced it with an alternative response winter 2013 mystudybro com past paper mark scheme this resource was created and owned by pearson edexcel accounting unit 1 wac01 or wac11

[mark schemes accounting by tak](#) - Oct 05 2022

web tak vertical horizon home igcse o level ial as level ial a2 level mark schemes 880 1688942000

a level accounting mark scheme unit 02 financial and - Jul 02 2022

web mark scheme general certificate of education a level accounting accn2 january 2013 3 january 2013 accn2 mark scheme instructions to examiners you should remember that your marking standards should reflect the levels of performance of students mainly 17 years old writing under examination conditions positive marking

mark scheme results summer 2013 - Jan 08 2023

web mark scheme results summer 2013 gce accounting 6001 01 edexcel and btec qualifications edexcel and btec qualifications come from pearson the world s leading learning answer matches the mark scheme examiners should also be prepared to award zero marks if the candidate s response is not worthy of credit

mark scheme results summer 2013 times edu github io - Dec 07 2022

web mark scheme results summer 2013 mark scheme results summer 2013 gce accounting 6002 01 edexcel and btec qualifications edexcel and btec qualifications come from pearson the world s leading learning company we provide a wide range of qualifications including academic vocational occupational and specific programmes for

[0452 s13 ms 11 igcse accounts](#) - Nov 06 2022

web mark scheme for the may june 2013 series 0452 accounting 0452 11 paper 1 maximum raw mark 120 this mark scheme is published as an aid to teachers and candidates to indicate the requirements of the examination it shows the basis on which examiners were instructed to award marks

0452 s13 ms 13 gce guide - Apr 11 2023

web mark scheme for the may june 2013 series 0452 accounting 0452 13 paper 1 maximum raw mark 120 this mark scheme is published as an aid to teachers and candidates to indicate the requirements of the examination it shows the basis on which examiners were instructed to award marks it does not

[2013 al accounting marking scheme sinhala medium e kalvi](#) - Jun 01 2022

web jan 19 2023 2013 al accounting marking scheme sinhala medium download 2013 al accounting marking scheme sinhala medium g c e a l the following marking scheme was prepared by the department of education file is available in pdf format

gce a l accounting paper marking scheme in sinhala medium 2013 - Aug 15 2023

web apr 8 2021 gce a l accounting paper marking scheme in sinhala medium 2013 download gce a l accounting paper marking scheme in sinhala medium 2013 you can download the pdf file from the link below it s free to download

[0452 w13 ms 22 gce guide](#) - Mar 10 2023

web mark scheme for the october november 2013 series 0452 accounting 0452 22 paper 2 maximum raw mark 120 this mark

scheme is published as an aid to teachers and candidates to indicate the requirements of the examination it shows the basis on which examiners were instructed to award marks

general certificate of education a level june 2013 webcalculate - Dec 27 2021

web mark scheme general certificate of education a level accounting accn3 june 2013 8 2 marks for quality of written communication award quality of written communication marks even for a brief relevant response 2 marks for no more than 3 spelling punctuation or grammar errors

general certificate of education a level january 2013 cie notes - Mar 30 2022

web mark scheme general certificate of education a level accounting accn4 january 2013 6 limitations include calculations based on budgeted figures 1 which can be inaccurate 1 the choice of basis that is used to calculate the oar can be arbitrary 1 may not be relevant for all the overheads 1 new technology has led to a reduction in the use

cambridge igcse accounting 0452 22 mark scheme oct nov 2013 - Jul 14 2023

web accounting 0452 november 2013 question papers question paper 11 question paper 12 question paper 13 question paper 21 question paper 22 question paper 23 mark schemes mark scheme 11 mark scheme 12 mark scheme 13 mark scheme 21 mark scheme 22 mark scheme 23 others examiner report grade threshold accounting

mark scheme results summer 2013 pearson qualifications - May 12 2023

web aug 22 2013 mark scheme results summer 2013 international gcse accounting 4ac0 edexcel and btec qualifications edexcel and btec qualifications come from pearson the world s leading learning company we provide a wide range of qualifications including academic vocational occupational and specific programmes for employers

cambridge igcse accounting 0452 2013 gce guide - Jun 13 2023

web aug 13 2023 past papers cambridge igcse accounting 0452 2013 gce guide past papers of cambridge igcse accounting 0452 2013 cambridge o levels cambridge igcse cambridge int l as a levels