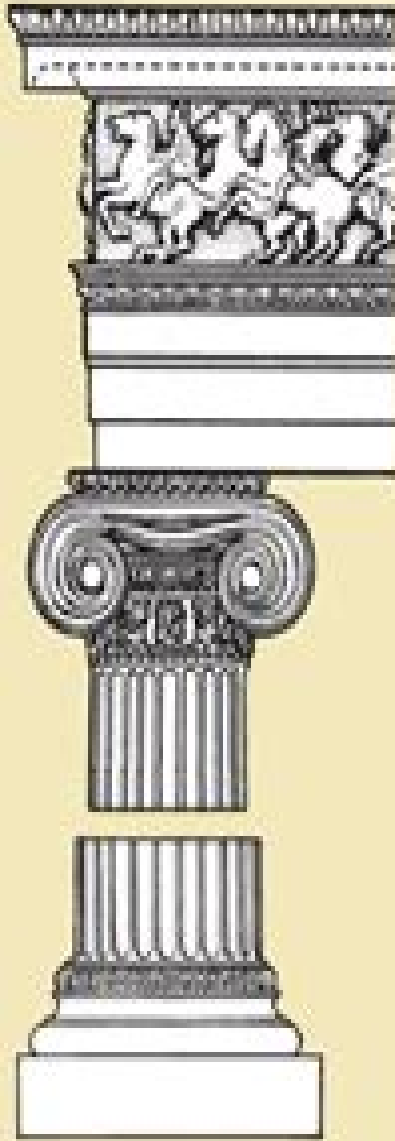
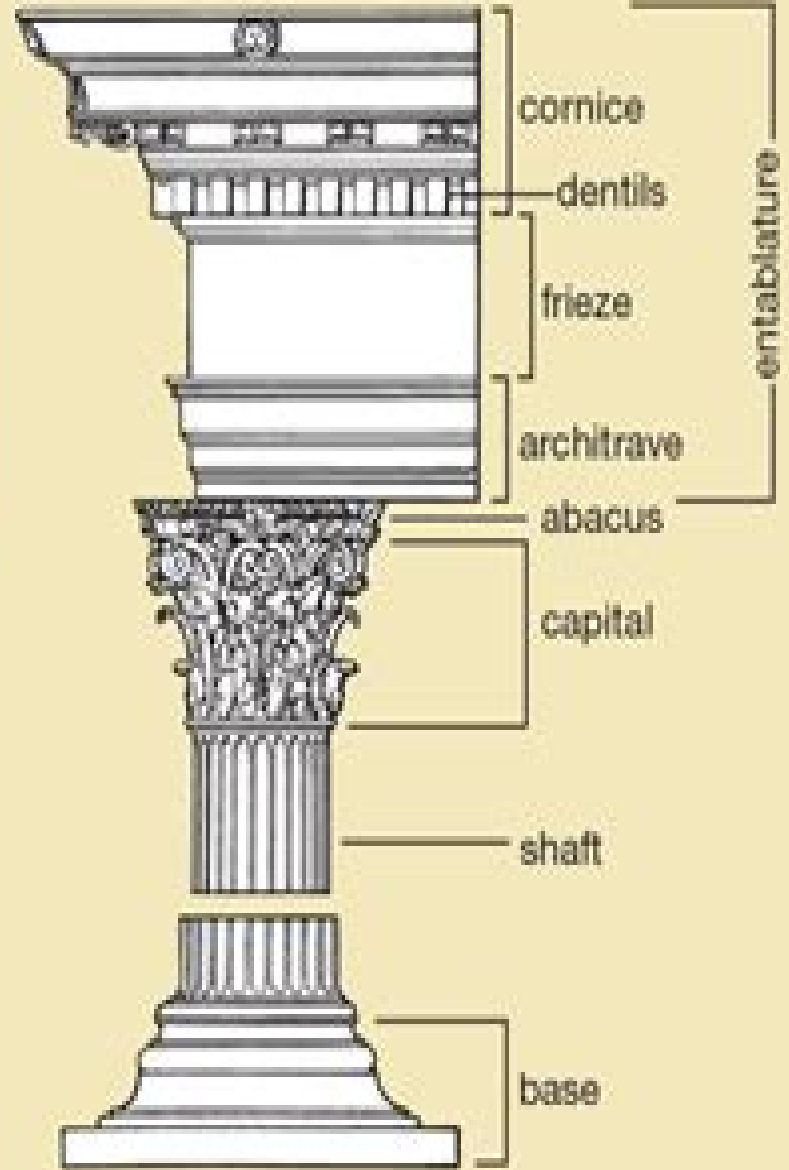


triglyph
metope

Doric



Ionic



cornice
dentils
frieze
architrave
abacus
capital
shaft
base

entablature

Corinthian

The Classical Orders Of Architecture

John Onians



The Classical Orders Of Architecture:

The Classical Orders of Architecture Robert Chitham,2014-05-12 The Classical Orders of Architecture elaborates on the classical orders of architecture including Classicism Tuscan orders Doric orders Ionic orders and Corinthian orders The publication first examines the teaching of the orders need for a new handbook of the orders Roman and Renaissance theorists traditional systems of proportion and metric system of measurement The text then ponders on historical background and orders in detail Discussions focus on the Greek orders and comparative Tuscan orders Doric orders Ionic orders Corinthian orders and Composite orders The book tackles the orders in detail including the five orders Tuscan order Tuscan capital and entablature Tuscan base and pedestal Doric order Doric base and pedestal Ionic order and volute Ionic capital and entablature Ionic base and pedestal and the Corinthian order The manuscript then reviews the use of the orders as well as diminution and fluting rustication pediments moldings and their enrichment and characteristics of Classicism The text is a valuable source of information for architects historians and researchers interested in the classical orders of architecture

Parallel of the Classical Orders of Architecture Donald M. Rattner,1998

The Five Orders Of Architecture Vignola,2025-05-22 The Five Orders of Architecture by Vignola is a timeless treatise on classical architectural principles This essential guide originally published in the Renaissance meticulously outlines the characteristics and proportions of the Tuscan Doric Ionic Corinthian and Composite orders Architects students and enthusiasts will find detailed illustrations and explanations that demystify the foundations of classical design Vignola s systematic approach makes this book an invaluable resource for understanding the enduring beauty and harmony of classical architecture Explore the fundamental elements that have shaped buildings for centuries and continue to influence contemporary design Discover why The Five Orders of Architecture remains a cornerstone text for anyone seeking to master the art of architectural composition This work has been selected by scholars as being culturally important and is part of the knowledge base of civilization as we know it This work was reproduced from the original artifact and remains as true to the original work as possible Therefore you will see the original copyright references library stamps as most of these works have been housed in our most important libraries around the world and other notations in the work This work is in the public domain in the United States of America and possibly other nations Within the United States you may freely copy and distribute this work as no entity individual or corporate has a copyright on the body of the work As a reproduction of a historical artifact this work may contain missing or blurred pages poor pictures errant marks etc Scholars believe and we concur that this work is important enough to be preserved reproduced and made generally available to the public We appreciate your support of the preservation process and thank you for being an important part of keeping this knowledge alive and relevant

Architectural Graphic Standards The American Institute of Architects,2007-03-30 Since 1932 the ten editions of Architectural Graphic Standards have been referred to as the architect s bible From site excavation to structures to roofs this book is the first place to look when an

architect is confronted with a question about building design With more than 8 000 architectural illustrations including both reference drawings and constructible architectural details this book provides an easily accessible graphic reference for highly visual professionals To celebrate seventy five years as the cornerstone of an industry this commemorative Eleventh Edition is the most thorough and significant revision of Architectural Graphic Standards in a generation Substantially revised to be even more relevant to today s design professionals it features An entirely new innovative look and design created by Bruce Mau Design that includes a modern page layout bold second color and new typeface Better organized a completely new organization structure applies the UniFormat r classification system which organizes content by function rather than product or material Expanded and updated coverage of inclusive universal and accessible design strategies Environmentally sensitive and sustainable design is presented and woven throughout including green materials LEEDS standards and recyclability A bold contemporary new package as impressive closed as it is open the Eleventh Edition features a beveled metal plate set in a sleek black cloth cover Ribbon Markers included as a convenient and helpful way to mark favorite and well used spots in the book All New material Thoroughly reviewed and edited by hundreds of building science experts and experienced architects all new details and content including new structural technologies building systems and materials emphasis on sustainable construction green materials LEED standards and recyclability expanded and updated coverage on inclusive universal and accessible design strategies computing technologies including Building Information Modeling BIM and CAD CAM new information on regional and international variations accessibility requirements keyed throughout the text new standards for conducting disseminating and applying architectural research New and improved details With some 8 500 architectural illustrations including both reference drawings and constructible architectural details Architectural Graphic Standards continues to be the industry s leading easily accessible graphic reference for highly visual professionals

The Five Orders of Architecture Vignola,1891 [The Five Orders of Architecture According to Giacomo Barozzio of Vignola](#)
Vignola,1896 **Canon of the Five Orders of Architecture** Vignola,Branko Mitrovic,1999 [Doric, Ionic, Corinthian](#)
,1988 [The Architect's and Builder's Pocket-book of Mensuration, Geometry ...](#) Frank Eugene Kidder,1902

Architectural Orders M. Wilson Jones,Eugene Dwyer,Sergio L. Sanabria,Margaret Lyttleton,Nicola Coldstream,2016-04-01 Discover the critical vocabulary of Western architecture and the enduring influence of the five classical orders within this fully illustrated Grove Art Essentials volume Beginning with the syntax of columns and entablatures in ancient Egypt the authors outline the development of the classical orders and their variations in ancient Greece and Rome tracing the revival and adaptation of these forms in the medieval period to the present day Balancing convention and variety the five major orders were codified in the Renaissance and subsequent Western architecture with classical leanings continues to adopt this visual language almost as if sacrosanct This text explores the character and history of the Doric Ionic Corinthian Composite and Tuscan orders and traces their legacy through the architecture of the Western

world **Journal of the Cleveland Engineering Society** Cleveland Engineering Society,1918 **Bearers of Meaning**
John Onians,2020-12-08 For all those interested in the relationship between ideas and the built environment John Onians
provides a lively illustrated account of the range of meanings that Western culture has assigned to the Classical orders
Onians shows that during the 2 000 years from their first appearance in ancient Greece through their codification in
Renaissance Italy the orders the columns and capitals known as Doric Ionic Corinthian Tuscan and Composite were made to
serve expressive purposes engaging the viewer in a continuing visual dialogue **The School Arts Magazine** Pedro Joseph
Lemos,1924 A History of Architecture on the Comparative Method for Students, Craftsmen & Amateur; Banister
Fletcher,Sir Banister Fletcher,1901 This work has been selected by scholars as being culturally important and is part of the
knowledge base of civilization as we know it This work was reproduced from the original artifact and remains as true to the
original work as possible Therefore you will see the original copyright references library stamps as most of these works have
been housed in our most important libraries around the world and other notations in the work This work is in the public
domain in the United States of America and possibly other nations Within the United States you may freely copy and
distribute this work as no entity individual or corporate has a copyright on the body of the work As a reproduction of a
historical artifact this work may contain missing or blurred pages poor pictures errant marks etc Scholars believe and we
concur that this work is important enough to be preserved reproduced and made generally available to the public We
appreciate your support of the preservation process and thank you for being an important part of keeping this knowledge
alive and relevant **School Arts Magazine** ,1924 A History of Art for Classes, Art-students and Tourists in Europe
William Henry Goodyear,1896 **A History of Art** William Henry Goodyear,1896 *A handbook of ornament. Transl Franz*
Sales Meyer,1894 A dictionary of the leading technical and trade terms of architectural design and building construction,
*by the editor of 'The Technical journal and industrial self-instructor Ward, Lock and co, ltd,1891 **Academy Architecture***
and Annual Architectural Review ,1898

Ignite the flame of optimism with its motivational masterpiece, **The Classical Orders Of Architecture** . In a downloadable PDF format (*), this ebook is a beacon of encouragement. Download now and let the words propel you towards a brighter, more motivated tomorrow.

https://ftp.thebrandexperience.com/book/browse/Download_PDFS/the_tigers_way_a_us_privates_best_chance_of_survival.pdf

Table of Contents The Classical Orders Of Architecture

1. Understanding the eBook The Classical Orders Of Architecture
 - The Rise of Digital Reading The Classical Orders Of Architecture
 - Advantages of eBooks Over Traditional Books
2. Identifying The Classical Orders Of Architecture
 - Exploring Different Genres
 - Considering Fiction vs. Non-Fiction
 - Determining Your Reading Goals
3. Choosing the Right eBook Platform
 - Popular eBook Platforms
 - Features to Look for in an The Classical Orders Of Architecture
 - User-Friendly Interface
4. Exploring eBook Recommendations from The Classical Orders Of Architecture
 - Personalized Recommendations
 - The Classical Orders Of Architecture User Reviews and Ratings
 - The Classical Orders Of Architecture and Bestseller Lists
5. Accessing The Classical Orders Of Architecture Free and Paid eBooks
 - The Classical Orders Of Architecture Public Domain eBooks
 - The Classical Orders Of Architecture eBook Subscription Services
 - The Classical Orders Of Architecture Budget-Friendly Options
6. Navigating The Classical Orders Of Architecture eBook Formats

- ePub, PDF, MOBI, and More
 - The Classical Orders Of Architecture Compatibility with Devices
 - The Classical Orders Of Architecture Enhanced eBook Features
7. Enhancing Your Reading Experience
 - Adjustable Fonts and Text Sizes of The Classical Orders Of Architecture
 - Highlighting and Note-Taking The Classical Orders Of Architecture
 - Interactive Elements The Classical Orders Of Architecture
 8. Staying Engaged with The Classical Orders Of Architecture
 - Joining Online Reading Communities
 - Participating in Virtual Book Clubs
 - Following Authors and Publishers The Classical Orders Of Architecture
 9. Balancing eBooks and Physical Books The Classical Orders Of Architecture
 - Benefits of a Digital Library
 - Creating a Diverse Reading Collection The Classical Orders Of Architecture
 10. Overcoming Reading Challenges
 - Dealing with Digital Eye Strain
 - Minimizing Distractions
 - Managing Screen Time
 11. Cultivating a Reading Routine The Classical Orders Of Architecture
 - Setting Reading Goals The Classical Orders Of Architecture
 - Carving Out Dedicated Reading Time
 12. Sourcing Reliable Information of The Classical Orders Of Architecture
 - Fact-Checking eBook Content of The Classical Orders Of Architecture
 - Distinguishing Credible Sources
 13. Promoting Lifelong Learning
 - Utilizing eBooks for Skill Development
 - Exploring Educational eBooks
 14. Embracing eBook Trends
 - Integration of Multimedia Elements
 - Interactive and Gamified eBooks

The Classical Orders Of Architecture Introduction

In this digital age, the convenience of accessing information at our fingertips has become a necessity. Whether its research papers, eBooks, or user manuals, PDF files have become the preferred format for sharing and reading documents. However, the cost associated with purchasing PDF files can sometimes be a barrier for many individuals and organizations. Thankfully, there are numerous websites and platforms that allow users to download free PDF files legally. In this article, we will explore some of the best platforms to download free PDFs. One of the most popular platforms to download free PDF files is Project Gutenberg. This online library offers over 60,000 free eBooks that are in the public domain. From classic literature to historical documents, Project Gutenberg provides a wide range of PDF files that can be downloaded and enjoyed on various devices. The website is user-friendly and allows users to search for specific titles or browse through different categories. Another reliable platform for downloading The Classical Orders Of Architecture free PDF files is Open Library. With its vast collection of over 1 million eBooks, Open Library has something for every reader. The website offers a seamless experience by providing options to borrow or download PDF files. Users simply need to create a free account to access this treasure trove of knowledge. Open Library also allows users to contribute by uploading and sharing their own PDF files, making it a collaborative platform for book enthusiasts. For those interested in academic resources, there are websites dedicated to providing free PDFs of research papers and scientific articles. One such website is Academia.edu, which allows researchers and scholars to share their work with a global audience. Users can download PDF files of research papers, theses, and dissertations covering a wide range of subjects. Academia.edu also provides a platform for discussions and networking within the academic community. When it comes to downloading The Classical Orders Of Architecture free PDF files of magazines, brochures, and catalogs, Issuu is a popular choice. This digital publishing platform hosts a vast collection of publications from around the world. Users can search for specific titles or explore various categories and genres. Issuu offers a seamless reading experience with its user-friendly interface and allows users to download PDF files for offline reading. Apart from dedicated platforms, search engines also play a crucial role in finding free PDF files. Google, for instance, has an advanced search feature that allows users to filter results by file type. By specifying the file type as "PDF," users can find websites that offer free PDF downloads on a specific topic. While downloading The Classical Orders Of Architecture free PDF files is convenient, its important to note that copyright laws must be respected. Always ensure that the PDF files you download are legally available for free. Many authors and publishers voluntarily provide free PDF versions of their work, but its essential to be cautious and verify the authenticity of the source before downloading The Classical Orders Of Architecture. In conclusion, the internet offers numerous platforms and websites that allow users to download free PDF files legally. Whether its classic literature, research papers, or magazines, there is something for everyone. The platforms mentioned in this article, such as Project Gutenberg, Open Library, Academia.edu, and Issuu, provide access to a vast collection of PDF files. However, users

should always be cautious and verify the legality of the source before downloading The Classical Orders Of Architecture any PDF files. With these platforms, the world of PDF downloads is just a click away.

FAQs About The Classical Orders Of Architecture Books

How do I know which eBook platform is the best for me? Finding the best eBook platform depends on your reading preferences and device compatibility. Research different platforms, read user reviews, and explore their features before making a choice. Are free eBooks of good quality? Yes, many reputable platforms offer high-quality free eBooks, including classics and public domain works. However, make sure to verify the source to ensure the eBook credibility. Can I read eBooks without an eReader? Absolutely! Most eBook platforms offer web-based readers or mobile apps that allow you to read eBooks on your computer, tablet, or smartphone. How do I avoid digital eye strain while reading eBooks? To prevent digital eye strain, take regular breaks, adjust the font size and background color, and ensure proper lighting while reading eBooks. What the advantage of interactive eBooks? Interactive eBooks incorporate multimedia elements, quizzes, and activities, enhancing the reader engagement and providing a more immersive learning experience. The Classical Orders Of Architecture is one of the best book in our library for free trial. We provide copy of The Classical Orders Of Architecture in digital format, so the resources that you find are reliable. There are also many Ebooks of related with The Classical Orders Of Architecture. Where to download The Classical Orders Of Architecture online for free? Are you looking for The Classical Orders Of Architecture PDF? This is definitely going to save you time and cash in something you should think about.

Find The Classical Orders Of Architecture :

[the tigers way a us privates best chance of survival](#)

[the treatment of dogs by homeopathy](#)

[the transon](#)

[the tiger who wore white gloves or what you are you are](#)

the trial statements of ray luc levabeur

the top secret registry of us government radio frequencies

[the train now departing 2 novellas thorndike press large print core series](#)

[the totally awesome 80s pop music trivia totally awesome eighties trivia](#)

[the tribes of yahweh a sociology of the religion of liberated israel 12501050 bce](#)

the tragedie of antonie

the thin yellow line

the third reich.

the timetables of history a chronology of world events

the thrill club

the thinkbin family calendar august 2004december 2005 the perfect organizer for busy families august 2004december 2005

The Classical Orders Of Architecture :

off the beaten path rhode island a guide to uniqu copy - May 05 2022

web off the beaten path rhode island a guide to uniqu metro new york off the beaten path sep 29 2021 tired of the same old tourist traps whether you re a visitor or a local looking for something different let this first edition of metro new york off the beaten path show you the metro new york city region you never knew existed

rhode island off the beaten path a guide to uniqu - Sep 09 2022

web island off the beaten path a guide to uniqu can be taken as competently as picked to act southern california off the beaten path kathy strong 2011 03 01 southern california off the beaten path features the things travelers and locals want to see and experience if only they knew about them from the best

rhode island off the beaten path a guide to uniqu full pdf - Oct 10 2022

web hidden history of rhode island off the beaten page unique eats and eateries of the twin cities rhode island off the beaten path rhode island rhode island documentary history of rhode island know rhode island rhode island off the beaten path a guide to uniqu downloaded from autoconfig ablogtowatch com by guest english

rhode island off the beaten path a guide to uniqu pdf - Apr 04 2022

web jun 10 2023 rhode island off the beaten path a guide to uniqu 2 6 downloaded from uniport edu ng on june 10 2023 by guest proceedings of the rhode island anti slavery convention held in providence feb 1836 with an appendix 1836 collections of the rhode island historical society staples w r annals of the town of providence 1843

pdf off the beaten path rhode island a guide to uniqu - Nov 11 2022

web off the beaten path rhode island a guide to uniqu santa catalina island california usa oct 26 2019 santa catalina island california usa tour guide a little over an hour s ride aboard the catalina express from long beach california past the natural wonder that is the san pedro channel is a rocky island where a hundred or so

take this road trip to the best hidden gems in rhode island - Apr 16 2023

web nov 16 2022 yes it s possible to go off the beaten path check out these stunning and elusive spots on our newest hidden

gems in rhode island road trip

rhode island off the beaten path a guide to uniqu pdf - Feb 02 2022

web jun 21 2023 texas off the beaten path june naylor 2011 11 08 texas off the beaten path features the things travelers and locals want to see and experience if only they knew about them from the best in local dining to quirky cultural tidbits to hidden attractions unique finds and unusual locales texas off the beaten path takes the

rhode island off the beaten path a guide to unique places - Jul 19 2023

web jun 1 2010 rhode island off the beaten path a guide to unique places robert curley google books tired of the same old tourist traps whether you re a visitor or a local looking for something different let rhode island off the beaten path show you the ocean state you never knew existed

off the beaten path rhode island a guide to uniqu 2023 - Dec 12 2022

web off the beaten path rhode island a guide to uniqu 2 downloaded from smcapproved com on 2021 03 13 by guest see and experience if only they knew about them from the best in local dining to quirky cultural tidbits to hidden attractions unique finds and unusual locales ohio off the beaten path takes

rhode island off the beaten path a guide to unique places off - Aug 20 2023

web jun 1 2010 from the best in local dining to quirky cultural tidbits to hidden attractions unique finds and unusual locales rhode island off the beaten path takes the reader down the road less traveled and reveals a side of

rhode island off the beaten path a guide to unique places - Sep 21 2023

web rhode island off the beaten path a guide to unique places by curley robert patrick publication date 2007 topics rhode island guidebooks rhode island publisher guilford conn insider s guide globe pequot collection inlibrary printdisabled internetarchivebooks digitizing sponsor the arcadia fund

rhode island off the beaten path a guide to unique places off - Jul 07 2022

web beaten path for best action ri off the beaten path 5th ed rhode island off the beaten path rhode island rhode off the beaten path rhode island a guide to unique places bahamas off the beaten path the dented bucket 10 things to do in oahu off the beaten

off the beaten path rhode island a guide to uniqu sara - Aug 08 2022

web off the beaten path rhode island a guide to uniqu recognizing the pretentiousness ways to acquire this book off the beaten path rhode island a guide to uniqu is additionally useful you have remained in right site to begin getting this info get the off the beaten path rhode island a guide to uniqu link that we give here and check out the

off the beaten path rhode island a guide to unique places - Feb 14 2023

web jan 1 1995 off the beaten path rhode island a guide to unique places 1st edition paperback january 1 1995 by paula

bodah author 4 0 out of 5 stars 1 rating

off the beaten path rhode island a guide to uniqu download - Jan 13 2023

web off the beaten path rhode island a guide to uniqu monhegan oct 02 2020 what draws visitors to monhegan a small island off mid coast maine it is not just the island s timeless atmosphere and beauty but the quality of the light that has always been a magnet to artists and photographers as well as to vacationers

rhode island off the beaten path rowman littlefield - Jun 18 2023

web from the best in local dining to quirky cultural tidbits to hidden attractions unique finds and unusual locales rhode island off the beaten path takes the reader down the road less traveled and reveals a side of rhode island that other guidebooks just don t offer

off the beaten path rhode island a guide to uniqu - Mar 03 2022

web idaho off the beaten path off the beaten path rhode island a guide to uniqu downloaded from secure mowtampa org by guest leonidas savanah 2 off the beaten path rhode island a guide to uniqu 2022 05 29 differently had lemay s predecessor general haywood hansell remained in charge hansell believed in precision

rhode island off the beaten path a guide to uniqu 2022 ce - Mar 15 2023

web rhode island s founders rhode island off the beaten path a guide to uniqu downloaded from ce nationalnursesunited org by guest gardner brooklynn deep in providence the countryman press 50 beautiful trails around boston and the cape in this first edition guide madeline bilis shares her years of outdoors experience in the boston

rhode island off the beaten path a guide to uniqu pdf a3 - Jun 06 2022

web 4 4 rhode island off the beaten path a guide to uniqu 2022 08 26 and the growing number of irish catholic immigrants most of whom worked in the textile mills

11 amazing places in rhode island that are off the beaten path - May 17 2023

web dec 17 2016 11 places in rhode island that are off the beaten path but worth the trip by jeana published december 17 2016 rhode island offers so many beautiful attractions most of the most breathtaking places are pretty well known and in plain sight such as the stunning coastline and major parks

probability and statistics for engineers university of utah - Jul 01 2022

web description an introduction to probability theory and statistics with an emphasis on solving problems in computer science and engineering

probability and statistics for engineers google books - Oct 04 2022

web duxbury press 1995 probabilities 745 pages designed to teach engineers to think statistically so that data can be collected and used intelligently in solving real problems this text is intended for calculus based one semester introduction to

lecture notes probability and statistics in engineering civil and - Jul 13 2023

web part 1 introduction to probability 1 events and their probability elementary operations with events total probability theorem independence bayes theorem 1 1 2 3 4 2 3 random variables and vectors discrete and continuous probability distributions 2 3

introduction to probability and statistics for engineers and scientists - Oct 16 2023

web editions carefully developed coverage of probability motivates probabilistic models of real phenomena and the statistical procedures that follow this approach ultimately results in an intuitive understanding of statistical procedures and strategies most often used by practicing engineers and scientists

statistics and probability with applications for engineers and - Jan 07 2023

web jan 3 2020 statistics and probability with applications for engineers and scientists using minitab r and jmp is an excellent text for graduate level data science students and engineers and scientists it is also an ideal introduction to applied statistics and probability for undergraduate students in engineering and the natural sciences

14 9 statistics and probability engineering libretxts - May 11 2023

web a quick preview of statistics and probability this is not meant as a substitute for an actual math course engineers are expected to take a calculus based statistics and probability course in a

introduction to probability and statistics for engineers and scientists - Mar 09 2023

web introduction to probability and statistics for engineers and scientists sciencedirect introduction to probability and statistics for engineers and scientists book fifth edition 2014 author sheldon m ross about the book browse this book by table of contents book description

statistics and probability for engineering applications - Apr 29 2022

web statistics and probability for engineering applications provides a complete discussion of all the major topics typically covered in a college engineering statistics course this textbook minimizes the derivations and mathematical theory focusing instead on the information and techniques most needed and used in engineering applications

cme 106 probability cheatsheet stanford university - Nov 05 2022

web cme 106 probability and statistics for engineers probability introduction sample space event permutation conditional probability bayes rule independence random variables probability density function cumulative distribution function cme 106 introduction to probability and statistics for engineers

teaching cme 106 stanford university - Mar 29 2022

web cme 106 introduction to probability and statistics for engineers my twin brother afshine and i created this set of cheatsheets when i was a ta for stanford s cme 106 class in winter 2018 they can hopefully be useful to all future students

taking this course as well as to anyone else interested in learning the fundamentals of

introduction to probability and statistics for engineers - Jun 12 2023

web the book sets out fundamental principles of the probability theory supplemented by theoretical models of random variables evaluation of experimental data sampling theory distribution updating and tests of statistical hypotheses basic concepts of bayesian approach to probability and two dimensional random variables are also covered

introduction to probability and statistics for engineers and - Aug 14 2023

web introduction to probability and statistics for engineers and scientists sixth edition uniquely emphasizes how probability informs statistical problems thus helping readers develop an intuitive understanding of the statistical procedures commonly used by practicing engineers and scientists

introduction to probability and statistics for engineers and - Sep 03 2022

web introduction to probability and statistics for engineers and scientists sixth edition uniquely emphasizes how probability informs statistical problems thus helping readers develop an intuitive understanding of the statistical procedures commonly used by practicing engineers and scientists

fundamentals of probability and statistics for engineers - Dec 06 2022

web fundamentals of probability and statistics for engineers wiley home subjects general introductory statistics applied probability statistics fundamentals of probability and statistics for engineers t t soong isbn 978 0 470 86815 7 may 2004 400 pages e book starting at just 73 99 print starting at just 80 95 e book 73 99

probability and statistics for engineers github pages - Sep 15 2023

web solve basic probability and statistic problems for applications in engineering using concepts such as total probability bayes rule continuous and discrete distributions etc have sufficient prior probability and statistics knowledge to succeed in a msc level engineering program at tu delft

probability and statistics for engineers and scientists - Feb 08 2023

web jan 1 2012 probability and statistics for engineers and scientists anthony j hayter cengage learning jan 1 2012 mathematics 864 pages probability and statistics for engineers and scientists

probability and statistics for engineers part 1 of 8 set theory - Aug 02 2022

web dec 5 2020 part 1 introduction to probability and statistics set theory events axioms of probability 0 00 introduction5 07 what is probability what is statistics 1

applied statistics and probability for engineers 7th edition - Apr 10 2023

web applied statistics and probability for engineers provides a practical approach to probability and statistical methods students learn how the material will be relevant in their careers by including a rich collection of examples and problem sets

that reflect realistic applications and situations

ece 3530 engineering probability and statistics university of - May 31 2022

web required textbook probability statistics for engineers and scientists 8th edition walpole myers myers and ye prentice hall upper saddle river nj 07458 isbn 0 13 187711 9 prerequisite math 1220 calculus ii detailed course information and

probability and statistics in engineering statistical science - Feb 25 2022

web introduction to probability independence conditional independence and bayes theorem discrete and continuous univariate and multivariate distributions linear and nonlinear transformations of random variables classical and bayesian inference decision theory and comparison of hypotheses experimental design statistical quality control and other

[yoga mythology 64 asanas and their stories](#) - Oct 24 2021

yoga mythology 64 asanas and their stories hardcover - Oct 04 2022

web jun 16 2019 yoga mythology 64 asanas and their stories books indian mythology mythology the popular names of many yogic asanas from virbhadrā asana and

yoga mythology 64 asanas and their stories devdutt - Aug 02 2022

web yoga mythology brings this overlooked wisdom to light by recounting the lore behind more than sixty asanas drawing attention to an indic worldview based on the concepts of

yoga mythology 64 asanas and their stories amazon in - Jan 07 2023

web jul 8 2022 yoga mythology 64 asanas and their stories by devdutt pattanaik matthew rulli write a review paperback 18 99 paperback 18 99 ebook 14 49 view

yoga mythology llewellyn worldwide - Sep 03 2022

web deepen your yoga experience with the origin stories of 64 common asanas explore the stories from hindu buddhist and jain mythology that nurtured the idea of yoga and

yoga mythology 64 asanas and their stories hardcover - Apr 29 2022

web this item yoga mythology 64 asanas and their stories s 18 00 s 18 00 get it sep 21 27 only 1 left in stock ships from and sold by ssn book store myths of the

[yoga mythology 64 asanas and their stories paperback](#) - Dec 06 2022

web buy yoga mythology 64 asanas and their stories by devdutt pattanaik matthew rulli isbn 9789353570842 from amazon s book store everyday low prices and free

yoga mythology 64 asanas and their stories scribd - Jul 01 2022

web the popular names of many yogic asanas from virbhadrā asana and hanuman asana to matsyendra asana kurma asana

and ananta asana are based on characters and

[yoga mythology 64 asanas and their stories](#) - Jul 13 2023

web jun 21 2019 devdutt pattanaik harper collins jun 21 2019 religion 344 pages the popular names of many yogic asanas from virbhadrha asana and hanuman asana to

yoga mythology 64 asanas and their stories bookshared - Nov 24 2021

[yoga mythology 64 asanas and their stories kindle](#) - Feb 08 2023

web jul 8 2022 deepen your yoga experience with the origin stories of 64 common asanas explore the stories from hindu buddhist and jain mythology that nurtured the idea of

yoga mythology 64 asanas and their stories - Aug 14 2023

web dec 17 2019 the popular names of many yogic asanas from virbhadrha asana and hanuman asana to matsyendra asana kurma asana and ananta asana are based on

[yoga mythology 64 asanas and their stories paperback](#) - Nov 05 2022

web 64 asanas and their stories deepen your yoga experience with the origin stories of 64 common asanas explore the stories from hindu buddhist and jain mythology that

yoga mythology 64 asanas and their stories hardcover - Feb 25 2022

web jul 8 2022 deepen your yoga experience with the origin stories of 64 common asanas explore the stories from hindu buddhist and jain mythology that nurtured the idea of

yoga mythology 64 asanas and their stories ciltli kapak - Mar 09 2023

web amazon in buy yoga mythology 64 asanas and their stories book online at best prices in india on amazon in read yoga mythology 64 asanas and their stories book

[yoga mythology 64 asanas and their stories google books](#) - Jun 12 2023

web deepen your yoga experience with the origin stories of 64 common asanas explore the stories from hindu buddhist and jain mythology that nurtured the idea of yoga and

yoga mythology 64 asanas and their stories goodreads - Apr 10 2023

web yoga mythology 64 asanas and their stories devdutt pattanaik matthew rulli amazon com tr kitap

yoga mythology 64 asanas and their stories overdrive - Dec 26 2021

web the popular names of many yogic asanas from virbhadrha asana and hanuman asana to matsyendra asana kurma asana and ananta asana are based on characters and

yoga mythology 64 asanas their stories bookshop - May 31 2022

web deepen your yoga experience with the origin stories of sixty four common asanas explore the stories from hindu buddhist and jain mythology that nurtured the idea of

yoga mythology 64 asanas their stories audiobooks com - Jan 27 2022

web if you re looking for yoga mythology 64 asanas and their stories the next great read look no further this book is a must read for anyone who loves to read and wants to

yoga mythology 64 asanas their stories storytel - Mar 29 2022

web jan 10 2023 deepen your yoga experience with the origin stories of sixty four common asanas br br explore the stories from hindu buddhist and jain mythology that

yoga mythology 64 asanas and their stories google books - May 11 2023

web deepen your yoga experience with the origin stories of 64 common asanas explore the stories from hindu buddhist and jain mythology that nurtured the idea of yoga and