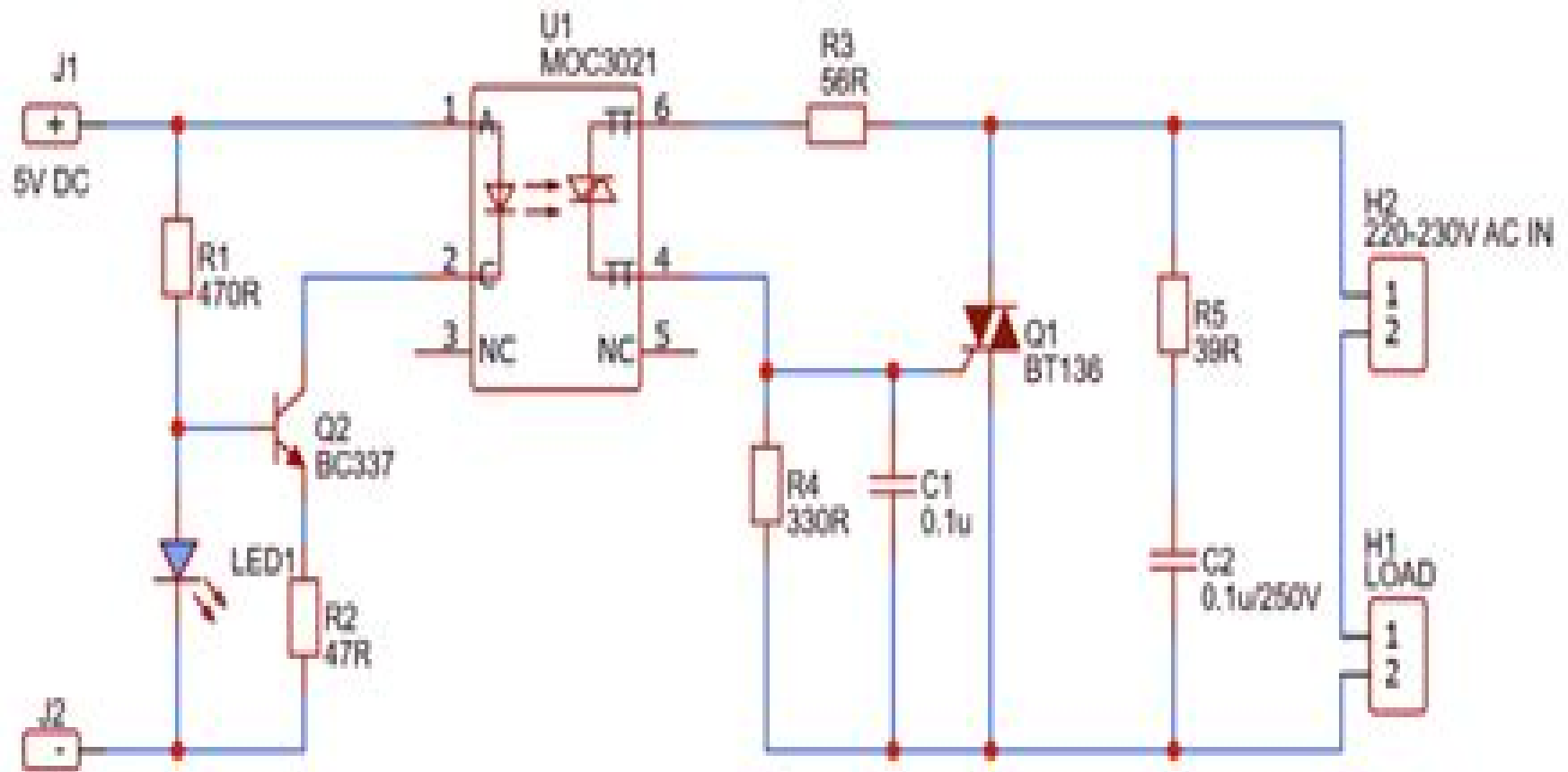


# Solid State Relay Circuit



# Solid State Circuit Troubleshooting Guide

**Michael Brown**



## **Solid State Circuit Troubleshooting Guide:**

This is likewise one of the factors by obtaining the soft documents of this **Solid State Circuit Troubleshooting Guide** by online. You might not require more era to spend to go to the book introduction as competently as search for them. In some cases, you likewise reach not discover the publication Solid State Circuit Troubleshooting Guide that you are looking for. It will agreed squander the time.

However below, once you visit this web page, it will be for that reason definitely simple to acquire as capably as download guide Solid State Circuit Troubleshooting Guide

It will not undertake many epoch as we accustom before. You can attain it even though acquit yourself something else at house and even in your workplace. for that reason easy! So, are you question? Just exercise just what we come up with the money for below as well as review **Solid State Circuit Troubleshooting Guide** what you subsequent to to read!

[https://ftp.thebrandexperience.com/public/virtual-library/Download\\_PDFS/the%20constitutional%20jurisprudence%20of%20the%20federal%20republic%20of%20germany.pdf](https://ftp.thebrandexperience.com/public/virtual-library/Download_PDFS/the%20constitutional%20jurisprudence%20of%20the%20federal%20republic%20of%20germany.pdf)

## **Table of Contents Solid State Circuit Troubleshooting Guide**

1. Understanding the eBook Solid State Circuit Troubleshooting Guide
  - The Rise of Digital Reading Solid State Circuit Troubleshooting Guide
  - Advantages of eBooks Over Traditional Books
2. Identifying Solid State Circuit Troubleshooting Guide
  - Exploring Different Genres
  - Considering Fiction vs. Non-Fiction
  - Determining Your Reading Goals
3. Choosing the Right eBook Platform
  - Popular eBook Platforms
  - Features to Look for in an Solid State Circuit Troubleshooting Guide
  - User-Friendly Interface

4. Exploring eBook Recommendations from Solid State Circuit Troubleshooting Guide
  - Personalized Recommendations
  - Solid State Circuit Troubleshooting Guide User Reviews and Ratings
  - Solid State Circuit Troubleshooting Guide and Bestseller Lists
5. Accessing Solid State Circuit Troubleshooting Guide Free and Paid eBooks
  - Solid State Circuit Troubleshooting Guide Public Domain eBooks
  - Solid State Circuit Troubleshooting Guide eBook Subscription Services
  - Solid State Circuit Troubleshooting Guide Budget-Friendly Options
6. Navigating Solid State Circuit Troubleshooting Guide eBook Formats
  - ePub, PDF, MOBI, and More
  - Solid State Circuit Troubleshooting Guide Compatibility with Devices
  - Solid State Circuit Troubleshooting Guide Enhanced eBook Features
7. Enhancing Your Reading Experience
  - Adjustable Fonts and Text Sizes of Solid State Circuit Troubleshooting Guide
  - Highlighting and Note-Taking Solid State Circuit Troubleshooting Guide
  - Interactive Elements Solid State Circuit Troubleshooting Guide
8. Staying Engaged with Solid State Circuit Troubleshooting Guide
  - Joining Online Reading Communities
  - Participating in Virtual Book Clubs
  - Following Authors and Publishers Solid State Circuit Troubleshooting Guide
9. Balancing eBooks and Physical Books Solid State Circuit Troubleshooting Guide
  - Benefits of a Digital Library
  - Creating a Diverse Reading Collection Solid State Circuit Troubleshooting Guide
10. Overcoming Reading Challenges
  - Dealing with Digital Eye Strain
  - Minimizing Distractions
  - Managing Screen Time
11. Cultivating a Reading Routine Solid State Circuit Troubleshooting Guide
  - Setting Reading Goals Solid State Circuit Troubleshooting Guide
  - Carving Out Dedicated Reading Time

12. Sourcing Reliable Information of Solid State Circuit Troubleshooting Guide
  - Fact-Checking eBook Content of Solid State Circuit Troubleshooting Guide
  - Distinguishing Credible Sources
13. Promoting Lifelong Learning
  - Utilizing eBooks for Skill Development
  - Exploring Educational eBooks
14. Embracing eBook Trends
  - Integration of Multimedia Elements
  - Interactive and Gamified eBooks

### **Solid State Circuit Troubleshooting Guide Introduction**

In today's digital age, the availability of Solid State Circuit Troubleshooting Guide books and manuals for download has revolutionized the way we access information. Gone are the days of physically flipping through pages and carrying heavy textbooks or manuals. With just a few clicks, we can now access a wealth of knowledge from the comfort of our own homes or on the go. This article will explore the advantages of Solid State Circuit Troubleshooting Guide books and manuals for download, along with some popular platforms that offer these resources. One of the significant advantages of Solid State Circuit Troubleshooting Guide books and manuals for download is the cost-saving aspect. Traditional books and manuals can be costly, especially if you need to purchase several of them for educational or professional purposes. By accessing Solid State Circuit Troubleshooting Guide versions, you eliminate the need to spend money on physical copies. This not only saves you money but also reduces the environmental impact associated with book production and transportation. Furthermore, Solid State Circuit Troubleshooting Guide books and manuals for download are incredibly convenient. With just a computer or smartphone and an internet connection, you can access a vast library of resources on any subject imaginable. Whether you're a student looking for textbooks, a professional seeking industry-specific manuals, or someone interested in self-improvement, these digital resources provide an efficient and accessible means of acquiring knowledge. Moreover, PDF books and manuals offer a range of benefits compared to other digital formats. PDF files are designed to retain their formatting regardless of the device used to open them. This ensures that the content appears exactly as intended by the author, with no loss of formatting or missing graphics. Additionally, PDF files can be easily annotated, bookmarked, and searched for specific terms, making them highly practical for studying or referencing. When it comes to accessing Solid State Circuit Troubleshooting Guide books and manuals, several platforms offer an extensive collection of resources. One such platform is Project Gutenberg, a nonprofit organization that provides over 60,000 free eBooks. These books are primarily in

the public domain, meaning they can be freely distributed and downloaded. Project Gutenberg offers a wide range of classic literature, making it an excellent resource for literature enthusiasts. Another popular platform for Solid State Circuit Troubleshooting Guide books and manuals is Open Library. Open Library is an initiative of the Internet Archive, a non-profit organization dedicated to digitizing cultural artifacts and making them accessible to the public. Open Library hosts millions of books, including both public domain works and contemporary titles. It also allows users to borrow digital copies of certain books for a limited period, similar to a library lending system. Additionally, many universities and educational institutions have their own digital libraries that provide free access to PDF books and manuals. These libraries often offer academic texts, research papers, and technical manuals, making them invaluable resources for students and researchers. Some notable examples include MIT OpenCourseWare, which offers free access to course materials from the Massachusetts Institute of Technology, and the Digital Public Library of America, which provides a vast collection of digitized books and historical documents. In conclusion, Solid State Circuit Troubleshooting Guide books and manuals for download have transformed the way we access information. They provide a cost-effective and convenient means of acquiring knowledge, offering the ability to access a vast library of resources at our fingertips. With platforms like Project Gutenberg, Open Library, and various digital libraries offered by educational institutions, we have access to an ever-expanding collection of books and manuals. Whether for educational, professional, or personal purposes, these digital resources serve as valuable tools for continuous learning and self-improvement. So why not take advantage of the vast world of Solid State Circuit Troubleshooting Guide books and manuals for download and embark on your journey of knowledge?

### **FAQs About Solid State Circuit Troubleshooting Guide Books**

1. Where can I buy Solid State Circuit Troubleshooting Guide books? Bookstores: Physical bookstores like Barnes & Noble, Waterstones, and independent local stores. Online Retailers: Amazon, Book Depository, and various online bookstores offer a wide range of books in physical and digital formats.
2. What are the different book formats available? Hardcover: Sturdy and durable, usually more expensive. Paperback: Cheaper, lighter, and more portable than hardcovers. E-books: Digital books available for e-readers like Kindle or software like Apple Books, Kindle, and Google Play Books.
3. How do I choose a Solid State Circuit Troubleshooting Guide book to read? Genres: Consider the genre you enjoy (fiction, non-fiction, mystery, sci-fi, etc.). Recommendations: Ask friends, join book clubs, or explore online reviews and recommendations. Author: If you like a particular author, you might enjoy more of their work.

4. How do I take care of Solid State Circuit Troubleshooting Guide books? Storage: Keep them away from direct sunlight and in a dry environment. Handling: Avoid folding pages, use bookmarks, and handle them with clean hands. Cleaning: Gently dust the covers and pages occasionally.
5. Can I borrow books without buying them? Public Libraries: Local libraries offer a wide range of books for borrowing. Book Swaps: Community book exchanges or online platforms where people exchange books.
6. How can I track my reading progress or manage my book collection? Book Tracking Apps: Goodreads, LibraryThing, and Book Catalogue are popular apps for tracking your reading progress and managing book collections. Spreadsheets: You can create your own spreadsheet to track books read, ratings, and other details.
7. What are Solid State Circuit Troubleshooting Guide audiobooks, and where can I find them? Audiobooks: Audio recordings of books, perfect for listening while commuting or multitasking. Platforms: Audible, LibriVox, and Google Play Books offer a wide selection of audiobooks.
8. How do I support authors or the book industry? Buy Books: Purchase books from authors or independent bookstores. Reviews: Leave reviews on platforms like Goodreads or Amazon. Promotion: Share your favorite books on social media or recommend them to friends.
9. Are there book clubs or reading communities I can join? Local Clubs: Check for local book clubs in libraries or community centers. Online Communities: Platforms like Goodreads have virtual book clubs and discussion groups.
10. Can I read Solid State Circuit Troubleshooting Guide books for free? Public Domain Books: Many classic books are available for free as they're in the public domain. Free E-books: Some websites offer free e-books legally, like Project Gutenberg or Open Library.

### **Find Solid State Circuit Troubleshooting Guide :**

**the constitutional jurisprudence of the federal republic of germany**

*the complete idiots guide to learning spanish on your own*

*the complete short stories volume 1 editors and writers*

**the complete seven katas of judo**

[the conquest of the reich d-day to ve-day a soldiers history hardcover...](#)

[the conspiracy of mrs bunker](#)

**the complete chanukah songbook**

[the complete guide to international jobs and careers](#)

the complete illustrated west highland terrier  
the comprehensive englishrubician scientific and technical dictionary  
the content of watercolor  
the complete guide to using depthfinders  
the complete outfitting and source for sport diving  
the complete timuras  
the communicators craft

### **Solid State Circuit Troubleshooting Guide :**

**presentazione iniziale della classe classe** - Aug 07 2023

web dall'esito delle prove d'ingresso i docenti di classe relativamente alle discipline italiano lingua inglese e matematica hanno suddiviso la classe in fasce di livello per favorire la personalizzazione dell'insegnamento si allegano tabelle delle fasce di livello

**modelli di relazioni ic marconi** - Nov 29 2022

web infanzia primaria secondaria scuola sgv san giovanni valdarno istituto comprensivo salta a contenuto modello relazione finale scuola primaria a s 20 21 modello relazione finale primaria as 20 21 docx modello piano di lavoro coordinato della classe a s 2020 2021 scuola media piano lavoro coordinato della classe a s 20 21 docx

classe prima 1 analisi del contesto classe - Jun 05 2023

web relazione iniziale generale a cura del team docenti sulla base del ptof anno scolastico classe prima sezione plesso 1 analisi del contesto classe maschi femmine bes ripetenti alunni con istruzione domiciliare o ospedaliera stranieri

esempi di profili di classe da usare per le programmazioni - Apr 03 2023

web la classe risulta variacome composizione e come rendimento una parte di essa è motivata ad apprendere ed alle prime verifiche ha ottenuto risultati accettabili emergono diversi gradi di conoscenze competenze e capacità sono pochi gli alunni che raggiungono livelli di apprendimento decisamente discreti altra parte

**relazione iniziale generale scuola primaria ic** - Dec 31 2022

web istituto comprensivo massarosa 1 scuole dell'infanzia primarie e secondaria 1 grado a s relazione iniziale generale scuola primaria classe sezione plesso per rispondere ai bisogni educativi speciali la

**relazione iniziale di classe scuola primaria istituto** - Jul 06 2023

web nov 3 2023 le carte della scuola modulistica relazione iniziale di classe scuola primaria

relazione coordinata dell'équipe pedagogica della primaria un - Aug 27 2022

web may 25 2021 pervengono molteplici richieste relative alla strutturazione di una relazione coordinata per la scuola primaria che a differenza della secondaria di primo grado e superiore non ha un

**relazioni schede didattiche per bambini pianetabambini it** - Jun 24 2022

web jul 24 2020 si tratta di una raccolta di materiale didattico utilissimo per i bambini che frequentano la scuola dell'infanzia o il primo anno della scuola primaria ed iniziano quindi a familiarizzare proprio con i concetti di relazione ed appartenenza potrete scegliere tra esercizi che richiederanno di collegare tra loro elementi che per svariati

schema di relazione coordinata iniziale primaria 2019 20 - Feb 01 2023

web schema di relazione coordinata iniziale primaria 2019 20 schema di relazione coordinata iniziale primaria 2019 20 ai docenti coordinatori della scuola primaria dell'istituto allegati file il modello di sito web per la scuola pasw4joomla è distribuito con licenza gnu affero general public license ver 3

*maestra mary* - Mar 22 2022

web ðĬ à á þÿª þÿÿÿ

**i c enzo biagi** - Sep 27 2022

web pk j z content types xml ĘñÃ0 e hücä jÛ² 5í Ç q Àµ eü ý Í 3sì zh ÑdkÊd jgs6Ì Òv³ ÙkzĬ ^Â q 9Ûad ñõÕh ó rÛ³ àÊ 3çÁr pÁ cxp ä x î t ÁbŠ ž ç ½ i uc 3á ºóµu rÒ º¾ µ 7ÔÀøÑ ºò Ñ Š Âp ß rreh 9ÂéŠbkhõ

*calaméo classe prima* - Jul 26 2022

web classe prima scuola primaria don bosco aiello del friuli classe prima docenti contitolari della classe cepellotti ivana matematica scienze tecnologia scienze motorie bordignon elisabetta storia geografia ed al suono e alla musica capobianco supplente more scuola primaria don bosco aiello del friuli

*i c basiliano e sedegliano scuola primaria di flaibano* - Oct 09 2023

web situazione iniziale della classe prima la classe prima è formata da 22 alunni provenienti per la maggior parte dalla scuola dell'infanzia di flaibano 3 da cisterna e 1 da sedegliano ciò ha permesso l'instaurarsi di un buon clima relazionale di

*scuola primaria programmazione della classe prima* - Oct 29 2022

web scuola primaria programmazione della classe prima insegnanti maia giacobbe borelli coordinatore e docente di ambito storico linguistico matematico scientifico artistico lingua inglese il contesto dahbia kabous francese clil ed motoria e ed immagine mariella balistreri progetto lettura

istituto comprensivo g barone di baranello scuola primaria di - May 24 2022

web analisi della classe il gruppo classe è composto da 4 alunni 3 maschi e 1 femmina la classe prima fa parte di una pluriclasse 1 3 4 5 che viene sdoppiata in 1 4 e 3 5 per le discipline fondamentali l'alunno r g non si avvale dell'insegnamento dell'irc

*presentazione della prima a situazione iniziale schede scuola* - May 04 2023

web sep 15 2022 la presentazione della prima a prevede un'analisi della situazione iniziale con la suddivisione degli alunni in base alle abilità e alle conoscenze di cui essi sono in possesso la presentazione è completa di strategie itinerari metodologie mezzi e strumenti e anche di rapporti con le famiglie presentazione della prima a

*relazione di presentazione della classe risorse didattiche scuola* - Sep 08 2023

web relazione iniziale di classe scuola primaria relazione presentazione della classe schema per la stesura della relazione iniziale scuola elementare modello relazione presentazione classe composizione della classe livelli di apprendimento conduzione del lavoro scolastico gestione della classe metodi didattici uso delle ore di

**analisi della situazione della classe fare attenzione** - Apr 22 2022

web 5 partecipazione alle attività della scuola in orario extracurricolare per la classe 2f fino ad ora non si sono mai presentate occasioni tali da poterli giudicare al momento non ci sono attività extracurricolare 6 interesse e motivazione per la classe 2f la motivazione e l'interesse per la parte teorica

relazione iniziale della docente matematica sofia sabatti - Mar 02 2023

web dec 8 2017 titolo relazione iniziale classe 1 c 0 click etichetta relazione iniziale della docente di matematica e scienze per la classe prima c a s 2017 2018 filename 2017 1c rel in sabatti genitori pdf dimensione 279 kb

**scuola primaria di** - Feb 18 2022

web scuola infanzia primaria e secondaria di 1 grado via verdi n 18 08042 bari sardo nuic86200c istruzione it pec nuic86200c pec istruzione it scuola primaria di relazione disciplinare finale della classe sez anno scolastico 2016 17 docente materia relazione finale della classe

*taschen s 100 all time favorite movies list challenges* - Oct 04 2023

web taschen s 100 all time favorite movies the 100 films chosen by taschen from 1915 to 2000 for their 2011 2 volume publication 952 users 16 277 views from taschen com made by mat snowie avg score 34 of 100 34

taschen favorite movies of the 90s hardcover 30 oct 2012 amazon de - Sep 03 2023

web packed full of photos and film stills in two weighty volumes this set will bring you right back to the 90s with reminders of films you saw and plenty of reasons to see the ones you missed

**the top 100 movies from the 90s ranked by fans** - May 31 2023

web oct 19 2023 the best movies of the 1990s over 6 3k ranker voters have come together to rank this list of best 90s movies films released between 1990 and 1999 latest additions the prophecy ii the wrong trousers the

**taschen s movies of the 90 s icheckmovies com** - Jun 19 2022

web taschen s movies of the 90 s cape fear jfk da hong denglong gaogao gua my own private idaho the silence of the lambs

boyz n the hood point break la belle noiseuse thelma louise delicatessen terminator 2 judgment day les amants du pont neuf the commitments basic instinct unforgiven twin peaks

*taschen books 100 movies of the 1990s* - Jul 21 2022

web 100 movies of the 1990s hardcover 7 7 x 10 0 in 5 40 lb 768 pages us 50 availability in stock add to cart mission accomplished this collection presents the 100 most loved and successful films of the 1990s complete with stills synopses analysis and trivia

**140 favorite 90s movies rotten tomatoes** - Aug 22 2022

web rotten tomatoes the fresh prince of review aggregators presents our list of the 140 favorite 90s movies ranging from certified fresh to rotten all reppin 10 years of cinema that upended

**our favorite 90s romance movies to make your heart go on** - Feb 13 2022

web oct 30 2023 the knot s 90s romance movie ranking when it comes to romantic movies from the 90s here are our top picks most nostalgic before sunrise best tearjerker titanic best comfort film sense and sensibility most underrated piano steamiest the lover editor s favorite ghost

**taschen movies of the 90 s imdb** - Mar 29 2023

web 1 cape fear 1991 r 128 min crime thriller 7 3 rate 73 metascore a convicted rapist released from prison after serving a fourteen year sentence stalks the family of the lawyer who originally defended him director martin scorsese stars robert de niro nick nolte jessica lange juliette lewis votes 203 175 gross 79 10m 2

*taschen favorite movies of the 90s abebooks* - Dec 26 2022

web taschen favorite movies of the 90s 3 65 avg rating 17 ratings by goodreads hardcover isbn 10 3836532638isbn 13 9783836532631 publisher taschen america llc 2012 this specific isbn edition is currently not available view all copies of this isbn edition synopsis

**taschen s movies of the 90s list challenges** - Feb 25 2023

web taschen s movies of the 90s this book by jürgen muller edited by taschen covers the 1990s of the moving picture around the world 514 users 4 701 views made by vic viel avg score 53 of 141 38 required scores 1 20

favorite movies of the 90s by jurgen muller waterstones - Nov 24 2022

web oct 30 2012 these are the movies that define the 90s a decade when independent cinema went mainstream while big budget special effects kept hollywood strongly in the game with four to ten pages for each film this two volume tribute is an opulent factbook packed full of photos and film stills as well as cast crew credits film summaries actor

taschen movies of the 90s letterboxd - Jul 01 2023

web decade taschen movies of the 90s from my favourite series of film books taschen list the most important though not

necessarily best movies of each decade this is the list from 1991 2000 according to the book anyway 1 2 3 4 5 6 7 8 9 10 11 12 13 14 15 16 17 18 19 20 21 22 23 24 25 26

*taschen favorite movies of the 90s in searchworks catalog* - May 19 2022

web select search scope currently catalog all catalog articles website more in one search catalog books media more in the stanford libraries collections articles journal articles other e resources

*books we love favorite movies of the 90s azyaamode com* - Apr 29 2023

web who doesn't love movies we all love a great film and some people are totally obsessed with classics and their charm and to be honest they know what's up

taschen favorite movies of the 90s amazon singapore - Aug 02 2023

web hello sign in account lists returns orders cart

taschen's best movies of the 90s list challenges - Oct 24 2022

web 10 twin peaks fire walk with me 1992 rotten tomatoes 64 11 jurassic park 1993 rotten tomatoes 92 12 four weddings and a funeral 1994

*taschen favorite movies of the 90s tcdc resource center* - Mar 17 2022

web presents the most memorable movies of the 1990s into a list of 100 titles from around the world packed full of photos and film stills this title features four to ten pages for each film list of academy and film festival awards bloopers trivia memorable lines gossip and actor director subject and title indexes

*favorite movies of the 90s amazon com* - Jan 27 2023

web nov 7 2012 it was a delicate and complex task that required a fair bit of soul searching but we did it we took a complete list of all movies released in the 1990s around the world and whittled it down to just 144 of our very favorites

**7 best 90s movies you can stream right now on max disney plus** - Sep 22 2022

web 1 hour ago the sixth sense 1999 image credit alamy one of the best directors that emerged from the 90s was m night shyamalan he has given us incredible twisty supernatural thrillers that still feel

100 greatest films of the 90s imdb - Apr 17 2022

web 3 malcolm x 1992 pg 13 202 min biography drama history 7.7 rate 73 metascore biographical epic of the controversial and influential black nationalist leader from his early life and career as a small time gangster to his ministry as a member of the nation of islam and his eventual assassination

**popular songs arranged for violin duet cindy blevins music** - Jul 05 2023

web ok popular songs arranged for violin duet arranged by cindy blevins

*pop hits for violin duet violin duet softcover hal leonard online* - Oct 08 2023

web pop hits for violin duet designed for violinists familiar with first position and comfortable reading basic rhythms each two page arrangement in this collection includes a violin 1 and violin 2 part with each taking a turn at playing the melody for a fun and challenging ensemble experience

**all time popular songs for violin duet scribd** - Mar 21 2022

web jun 1 2017 pop hits for violin duet hal leonard llc 4 5 movie hits for violin duet hal leonard llc 3 5 disney songs for violin duet hal leonard llc 3 5 the beatles for violin duet the beatles 4 5 hit songs for two violins easy instrumental duets hal leonard llc 4 5 christmas carols for two violins easy instrumental duets mark

*pop hits for violin duet by various violin sheet music* - Jun 04 2023

web published by hal leonard hl 217577 isbn 9781495088742 upc 888680666958 9 0x12 0x0 154 inches designed for violinists familiar with first position and comfortable reading basic rhythms each two page arrangement in this collection includes a violin 1 and violin 2 part with each taking a turn at playing the melody for a fun and

*pop hits for violin duet overdrive* - Aug 26 2022

web jul 1 2017 designed for violinists familiar with first position and comfortable reading basic rhythms each two page arrangement in this collection includes a violin 1 and violin 2 part with each taking a turn at playing the melody for a *pop hits for violin duet 30 favorite pop songs taschenbuch amazon de* - Jul 25 2022

web pop hits for violin duet 30 favorite pop songs hal leonard publishing corporation isbn 9781495088742 kostenloser versand für alle bücher mit versand und verkauf duch amazon

[hal leonard pop hits for violin duet thomann uk](#) - Jan 31 2023

web songbook for string ensembles 30 pop songs arranged for 2 violins with changing melody line medium level of difficulty isbn 9781495088742 publisher s no hl217577 format din a4 64 pages

**amazon com tr müşteri yorumları pop hits for violin duet** - Sep 26 2022

web amazon com tr sitesinde pop hits for violin duet ürünü için faydalı müşteri yorumlarını ve derecelendirmeleri bulabilirsiniz kullanıcılarımızın samimi ve tarafsız ürün yorumlarını okuyun

**all time popular songs for violin duet hal leonard online** - May 03 2023

web songs include billie jean bridge over troubled water can you feel the love tonight hallelujah imagine over the rainbow unchained melody what a wonderful world with or without you your song and more song list billie jean bohemian rhapsody bridge over troubled water california dreamin can you feel the love tonight

*pop hits for violin duet hal leonard corp 9781495088742* - Apr 21 2022

web string duet designed for violinists familiar with first position and comfortable reading basic rhythms each two page arrangement in this collection includes a violin 1 and violin 2 part with each taking a turn at playing the melody for a

**pop hits for violin duet music shar music** - Mar 01 2023

web pop hits for violin duet 30 favorite pop songs for two violins this book is designed for violinists familiar with first position and comfortable reading basic rhythms in each two page arrangement violin 1 and violin 2 take turns playing the melody for a fun and challenging ensemble experience featured products 179 17

**pop hits for violin duet kağıt kapak 1 temmuz 2017** - Apr 02 2023

web pop hits for violin duet hal leonard publishing corporation amazon com tr kitap

**pop hits for violin duet presto music** - Dec 30 2022

web sheet music for pop hits for violin duet buy online violin vln published by hal leonard

**hal leonard pop hits for violin duet musikhaus thomann** - Jun 23 2022

web hal leonard pop hits for violin duet 30 popsongs arrangiert für 2 violinen mit wechselnder melodieführung mittlerer schwierigkeitsgrad isbn 9781495088742 hl00217577 23 x 30 5 cm 64 seiten

**hal leonard pop hits for violin duet thomann united states** - Nov 28 2022

web songbook for string ensembles 30 pop songs arranged for 2 violins with changing melody line medium level of difficulty isbn 9781495088742 publisher s no hl217577 format din a4 64 pages hal leonard pop hits for violin duet songbook for string ensembles 30 pop songs arranged for 2 violins with changing melody line

**pop hits for violin duet hal leonard corp google books** - Oct 28 2022

web string duet designed for violinists familiar with first position and comfortable reading basic rhythms each two page arrangement in this collection includes a violin 1 and violin 2 part with each taking a turn at playing the melody for a fun and challenging ensemble experience songs include all of me hello just the way you are let it go love

**free rock and pop violin duet sheet music 8notes com** - Feb 17 2022

web john w bratton the teddy bears picnic harry dixon loes this little light of mine jack judge it s a long long way to tipperary free free rock and pop violin duet sheet music sheet music pieces to download from 8notes com

**free violin pop sheet music download pdf or print on** - Sep 07 2023

web free violin pop sheet music download pdf or print on musescore com fall into savings get 90 off 05d 23h 09m 48s view offer filters difficulty level available only for piano scores beginner 1 score type user scores 6 530 ensemble solo 1 278 bands orchestras 417 brass ensembles 2 mixed ensembles 2 805 percussion ensembles 4 piano

**big book of violin viola duets string duet softcover hal leonard online** - May 23 2022

web big book of violin viola duets series string duet format softcover composer various arranger kathleen tompkins 35 favorite pop songs movie hits and classical pieces arranged for violin and viola duets includes full scores and individual pull out parts

*pop hits for violin duet amazon com - Aug 06 2023*

web jul 1 2017 pop hits for violin duet paperback july 1 2017 string duet designed for violinists familiar with first position and comfortable reading basic rhythms each two page arrangement in this collection includes a violin 1 and violin 2 part with each taking a turn at playing the melody for a fun and challenging ensemble experience