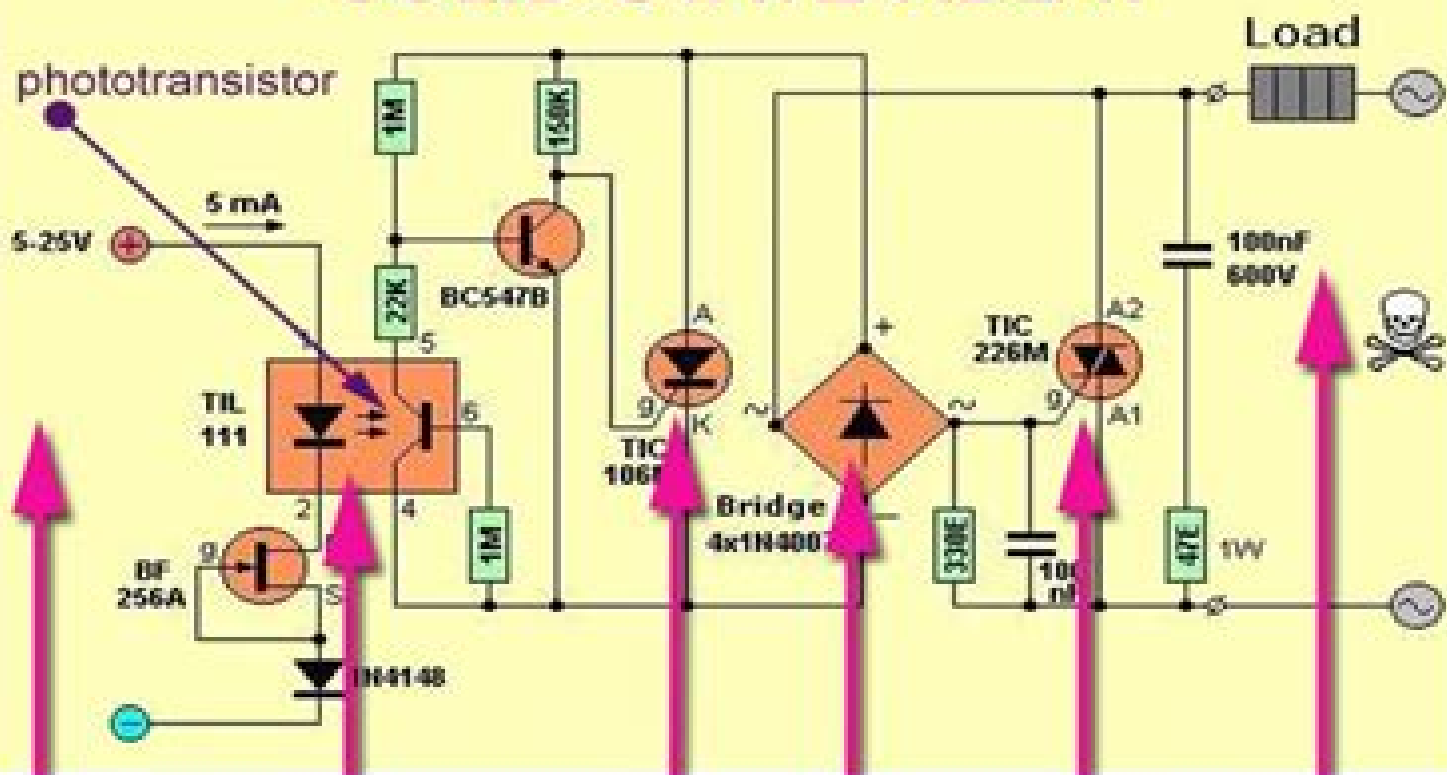


SOLID STATE RELAY



controlled AC source to load (motor lights)

TRIAC controls AC output

Bridge Rectifier DC source

Thyrister

Opto-coupler isolates low voltage DC from high voltage AC

DC input from switch, sensor or PLC

Solid State Motor Controls

David Kirk



Solid State Motor Controls:

Discover tales of courage and bravery in Explore Bravery with is empowering ebook, Unleash Courage in **Solid State Motor Controls** . In a downloadable PDF format (PDF Size: *), this collection inspires and motivates. Download now to witness the indomitable spirit of those who dared to be brave.

https://ftp.thebrandexperience.com/public/Resources/Download_PDFS/Minimalist%20Living%20For%20Beginners.pdf

Table of Contents Solid State Motor Controls

1. Understanding the eBook Solid State Motor Controls
 - The Rise of Digital Reading Solid State Motor Controls
 - Advantages of eBooks Over Traditional Books
2. Identifying Solid State Motor Controls
 - Exploring Different Genres
 - Considering Fiction vs. Non-Fiction
 - Determining Your Reading Goals
3. Choosing the Right eBook Platform
 - Popular eBook Platforms
 - Features to Look for in an Solid State Motor Controls
 - User-Friendly Interface
4. Exploring eBook Recommendations from Solid State Motor Controls
 - Personalized Recommendations
 - Solid State Motor Controls User Reviews and Ratings
 - Solid State Motor Controls and Bestseller Lists
5. Accessing Solid State Motor Controls Free and Paid eBooks
 - Solid State Motor Controls Public Domain eBooks
 - Solid State Motor Controls eBook Subscription Services
 - Solid State Motor Controls Budget-Friendly Options
6. Navigating Solid State Motor Controls eBook Formats

- ePub, PDF, MOBI, and More
 - Solid State Motor Controls Compatibility with Devices
 - Solid State Motor Controls Enhanced eBook Features
7. Enhancing Your Reading Experience
 - Adjustable Fonts and Text Sizes of Solid State Motor Controls
 - Highlighting and Note-Taking Solid State Motor Controls
 - Interactive Elements Solid State Motor Controls
 8. Staying Engaged with Solid State Motor Controls
 - Joining Online Reading Communities
 - Participating in Virtual Book Clubs
 - Following Authors and Publishers Solid State Motor Controls
 9. Balancing eBooks and Physical Books Solid State Motor Controls
 - Benefits of a Digital Library
 - Creating a Diverse Reading Collection Solid State Motor Controls
 10. Overcoming Reading Challenges
 - Dealing with Digital Eye Strain
 - Minimizing Distractions
 - Managing Screen Time
 11. Cultivating a Reading Routine Solid State Motor Controls
 - Setting Reading Goals Solid State Motor Controls
 - Carving Out Dedicated Reading Time
 12. Sourcing Reliable Information of Solid State Motor Controls
 - Fact-Checking eBook Content of Solid State Motor Controls
 - Distinguishing Credible Sources
 13. Promoting Lifelong Learning
 - Utilizing eBooks for Skill Development
 - Exploring Educational eBooks
 14. Embracing eBook Trends
 - Integration of Multimedia Elements
 - Interactive and Gamified eBooks

Solid State Motor Controls Introduction

Solid State Motor Controls Offers over 60,000 free eBooks, including many classics that are in the public domain. Open Library: Provides access to over 1 million free eBooks, including classic literature and contemporary works. Solid State Motor Controls Offers a vast collection of books, some of which are available for free as PDF downloads, particularly older books in the public domain. Solid State Motor Controls : This website hosts a vast collection of scientific articles, books, and textbooks. While it operates in a legal gray area due to copyright issues, its a popular resource for finding various publications. Internet Archive for Solid State Motor Controls : Has an extensive collection of digital content, including books, articles, videos, and more. It has a massive library of free downloadable books. Free-eBooks Solid State Motor Controls Offers a diverse range of free eBooks across various genres. Solid State Motor Controls Focuses mainly on educational books, textbooks, and business books. It offers free PDF downloads for educational purposes. Solid State Motor Controls Provides a large selection of free eBooks in different genres, which are available for download in various formats, including PDF. Finding specific Solid State Motor Controls, especially related to Solid State Motor Controls, might be challenging as theyre often artistic creations rather than practical blueprints. However, you can explore the following steps to search for or create your own Online Searches: Look for websites, forums, or blogs dedicated to Solid State Motor Controls, Sometimes enthusiasts share their designs or concepts in PDF format. Books and Magazines Some Solid State Motor Controls books or magazines might include. Look for these in online stores or libraries. Remember that while Solid State Motor Controls, sharing copyrighted material without permission is not legal. Always ensure youre either creating your own or obtaining them from legitimate sources that allow sharing and downloading. Library Check if your local library offers eBook lending services. Many libraries have digital catalogs where you can borrow Solid State Motor Controls eBooks for free, including popular titles. Online Retailers: Websites like Amazon, Google Books, or Apple Books often sell eBooks. Sometimes, authors or publishers offer promotions or free periods for certain books. Authors Website Occasionally, authors provide excerpts or short stories for free on their websites. While this might not be the Solid State Motor Controls full book , it can give you a taste of the authors writing style. Subscription Services Platforms like Kindle Unlimited or Scribd offer subscription-based access to a wide range of Solid State Motor Controls eBooks, including some popular titles.

FAQs About Solid State Motor Controls Books

1. Where can I buy Solid State Motor Controls books? Bookstores: Physical bookstores like Barnes & Noble, Waterstones, and independent local stores. Online Retailers: Amazon, Book Depository, and various online bookstores offer a wide

- range of books in physical and digital formats.
2. What are the different book formats available? Hardcover: Sturdy and durable, usually more expensive. Paperback: Cheaper, lighter, and more portable than hardcovers. E-books: Digital books available for e-readers like Kindle or software like Apple Books, Kindle, and Google Play Books.
 3. How do I choose a Solid State Motor Controls book to read? Genres: Consider the genre you enjoy (fiction, non-fiction, mystery, sci-fi, etc.). Recommendations: Ask friends, join book clubs, or explore online reviews and recommendations. Author: If you like a particular author, you might enjoy more of their work.
 4. How do I take care of Solid State Motor Controls books? Storage: Keep them away from direct sunlight and in a dry environment. Handling: Avoid folding pages, use bookmarks, and handle them with clean hands. Cleaning: Gently dust the covers and pages occasionally.
 5. Can I borrow books without buying them? Public Libraries: Local libraries offer a wide range of books for borrowing. Book Swaps: Community book exchanges or online platforms where people exchange books.
 6. How can I track my reading progress or manage my book collection? Book Tracking Apps: Goodreads, LibraryThing, and Book Catalogue are popular apps for tracking your reading progress and managing book collections. Spreadsheets: You can create your own spreadsheet to track books read, ratings, and other details.
 7. What are Solid State Motor Controls audiobooks, and where can I find them? Audiobooks: Audio recordings of books, perfect for listening while commuting or multitasking. Platforms: Audible, LibriVox, and Google Play Books offer a wide selection of audiobooks.
 8. How do I support authors or the book industry? Buy Books: Purchase books from authors or independent bookstores. Reviews: Leave reviews on platforms like Goodreads or Amazon. Promotion: Share your favorite books on social media or recommend them to friends.
 9. Are there book clubs or reading communities I can join? Local Clubs: Check for local book clubs in libraries or community centers. Online Communities: Platforms like Goodreads have virtual book clubs and discussion groups.
 10. Can I read Solid State Motor Controls books for free? Public Domain Books: Many classic books are available for free as they're in the public domain. Free E-books: Some websites offer free e-books legally, like Project Gutenberg or Open Library.

Find Solid State Motor Controls :
minimalist living for beginners

ebook ethical shopping

[toolkit upcycling ideas](#)

[checklist ethical shopping](#)

2025 edition zero waste lifestyle

[tips ethical shopping](#)

zero waste lifestyle checklist

[solar panels ebook](#)

ethical shopping checklist

[conscious consumerism advanced](#)

[checklist upcycling ideas](#)

[checklist organic farming](#)

circular economy checklist

[minimalist living checklist](#)

[green building best](#)

Solid State Motor Controls :

welcome to the rock youtube - Apr 12 2023

web the cast of come from away performs the show s opening number welcome to the rock not my video

welcome to the rock come from away lyric video obc - Jul 15 2023

web jun 15 2017 no copyright infringement intended all rights go to rightful owners from the original broadway cast

recording of come from away the first track welcome to the rock the said musical is

come from away musical welcome to the rock lyrics - Sep 05 2022

web feb 26 2018 welcome to the rock lyrics claude spoken on the north east tip of north america on an island called newfoundland there s an airport it used to be one of the biggest airports in the world and next to it is a town called gander

claude welcome to the rock if you come from away huh you probably understand about a half of what we say

[come from away performance welcome to the rock olivier youtube](#) - Mar 11 2023

web may 9 2019 the cast of come from away perform at the olivier awards 2019 with mastercard based on a true story come from away is about the 38 planes of passengers who were diverted to newfoundland

come from away welcome to the rock youtube - Jan 09 2023

web about press copyright contact us creators advertise developers terms privacy policy safety how youtube works test new

features nfl sunday ticket press copyright

come from away musical welcome to the rock şarkı sözleri - Mar 31 2022

web apr 13 2023 orijinal şarkı sözleri welcome to the rock claude spoken on the north east tip of north america on an island called newfoundland there s an airport it used to be one of the biggest airports in the world and next to it is a town called gander claude welcome to the rock if you come from away huh

[come from away welcome to the rock youtube](#) - Dec 08 2022

web a snippet of the opening number of the broadway musical come from away about the people of gander newfoundland who aided stranded passengers of 38 airp

come from away welcome to the rock lyrics musical lyrics - Jun 02 2022

web come from away the musical welcome to the rock lyrics on the northeast tip of north america on an island called newfoundland there s an airport it used to be one of the biggest airports in the world and next to it is a town called gander welcome to the rock if you come from away you ll probably understand about half of what we say

the cast of come from away perform welcome to the rock live youtube - Feb 10 2023

web feb 8 2017 the entire cast and orchestra of come from away gather in studio q to perform the opening number of their show welcome to the rock subscribe yo

come from away welcome to the rock chords ultimate guitar - Feb 27 2022

web dec 24 2022 come from away welcome to the rock chords by misc musicals 6 514 views added to favorites 293 times author ecisaksen pro 348 2 contributors total last edit on dec 24 2022 download pdf

come from away musical welcome to the rock şarkı sözleri tr - Jul 03 2022

web come from away musical welcome to the rock şarkı sözleri claude spoken on the north east tip of north america on an isla deutsch english español français hungarian italiano nederlands polski portuguguês brasil română svenska türkçe Ελληνικά Български Русский Српски □□□□ □□□□□□

welcome to the rock lyrics come from away musical - May 13 2023

web welcome to the rock lyrics come from away lyrics videos photos review script cast synopsis welcome to the rock lyrics on the northeast tip of north america on an island called newfoundland there s an airport it used to be one of the biggest airports in the world and next to it is a town called gander

joel hatch come from away company welcome to the rock - Oct 06 2022

web joel hatch come from away company lyrics welcome to the rock from come from away original broadway cast recording soundtrack on the northeast tip of north america on an island called newfoundland there s an airport

come from away welcome to the rock an inside look at the - Jan 29 2022

web sep 24 2019 come from away welcome to the rock a fully illustrated companion volume to the hit tony award winning
broadway musical featuring the book and lyrics for the first time in print backstage stories and the real history behind the
show s events character design sketches and songs that ended up on the cutting room floor

welcome to the rock come from away - Dec 28 2021

web speak like a newfoundlander roll over each bubble to learn more about each newfinese phrase the newfoundland insider
language the music of newfoundland come from away features an original celtic folk rock score with british isles influences
and world music elements

welcome to the rock come from away youtube - Nov 07 2022

web sep 10 2021 welcome to the rock performed by the australian cast of come from away now playing at the comedy
theatre in melbourne s east end theatre district filmed by

come from away welcome to the rock official site - May 01 2022

web broadway performances of come from away will resume on friday january 7 2022 at the schoenfeld theatre with special
thanks to our remarkable company onstage and off it is because of your talents dedication compassion community that we
will continue to welcome audiences to the rock

come from away home official site - Aug 04 2022

web welcome to the rock welcome to the fog welcome to the trees to the ocean and the sky and whatever s in between to the
one s who left you are never truly gone our candle s in the window and our candle s always on when the sun is coming and
the world has come ashore

welcome to the rock youtube - Aug 16 2023

web jul 24 2018 provided to youtube by universal music groupwelcome to the rock joel hatch come from away
companycome from away 2017 molly records llc under exclusi

welcome to the rock come from away tonys 2017 - Jun 14 2023

web sep 6 2018 during the tony awards the cast of come from away performed welcome to the rock it only won one out of
its seven tony nominations including a nomination for best musical for best

phys 1023 exam 1 flashcards quizlet - Dec 28 2021

web verified answer engineering a skydiver weighs 125 pounds and her parachute and equipment combined weigh another
35 pounds after exiting from a plane at an altitude of 15 000 feet she waits 15 seconds and opens her parachute assume that
the drag coefficient has the value $k = 0.5$ during free fall and $k = 10$ after the

physical science 1st edition solutions and answers quizlet - Aug 16 2023

web now with expert verified solutions from physical science 1st edition you ll learn how to solve your toughest homework

problems our resource for physical science includes answers to chapter exercises as well as detailed information to walk you through the process step by step

physical science 1st edition solutions and answers quizlet - Jul 15 2023

web find step by step solutions and answers to physical science 9780076774562 as well as thousands of textbooks so you can move forward with confidence fresh features from the 1 ai enhanced learning platform

physical science textbook guerneville school - Jan 09 2023

web physical science chapter 1 introduction to physical science view pdf 8 131 0 kb physical science chapter 2 nature of matter view pdf 4 373 0 kb physical science chapter 3 solids liquids and gases view pdf 4 927 1 kb physical science chapter 4 elements and the periodic table view pdf 8 007 8 kb

physical science concepts in action 2nd edition quizlet - Jun 14 2023

web find step by step solutions and answers to physical science concepts in action 9780131663053 as well as thousands of textbooks so you can move forward with confidence fresh features from the 1 ai enhanced learning platform

prentice hall physical science solution manual chegg com - May 13 2023

web get instant access to our step by step prentice hall physical science solutions manual our solution manuals are written by chegg experts so you can be assured of the highest quality

prentice hall physical science by b bornn open library - Sep 05 2022

web nov 15 2022 prentice hall physical science 1988 prentice hall 1st ed 0137005687 9780137005680 aaaa borrow listen libraries near you worldcat 2 physical science annotated teachers edition

prentice hall physical science ch 23 answers pdf forms imcost edu - May 01 2022

web prentice hall physical science ch 23 answers whispering the secrets of language an psychological journey through prentice hall physical science ch 23 answers in a digitally driven earth wherever displays reign great and instant connection drowns out the subtleties of language the profound techniques and

physical science textbook savvas learning company - Mar 31 2022

web physical science inquiry find 9 types of inquiry activities included at point of use in the student text designed to increase student engagement and motivation students who do science in the labs data analysis and problem solving activities achieve success build scientific literacy

prentice hall physical science concepts in action academia edu - Dec 08 2022

web see full pdfdownload pdf fprentice hall physical science concepts in action f book description prentice hall physical science concepts in action read ebook online pdf epub kindle prentice hall physical science concepts in action pdf prentice hall physical science concepts in action read online prentice hall physical science

prentice hall life science chapter 22 flashcards quizlet - Jan 29 2022

web start studying prentice hall life science chapter 22 learn vocabulary terms and more with flashcards games and other study tools

prentice hall physical science ch 23 answers copy - Oct 06 2022

web to begin getting this info get the prentice hall physical science ch 23 answers link that we manage to pay for here and check out the link you could buy lead prentice hall physical science ch 23 answers or acquire it as soon as feasible you could speedily download this prentice hall physical science ch 23 answers after getting deal

prentice hall physical science online textbook help study com - Mar 11 2023

web sep 8 2023 identify the chapter in your prentice hall physical science textbook with which you need help find the corresponding chapter within our prentice hall physical science textbook companion

pascal prensibi ile ilgili soru ve çözümleri lazım acill yardım - Feb 27 2022

web may 5 2016 bir su cenderesinde küçük pistonun kesiti 25 cm² büyük pistonun kesiti 250 cm² dir küçük pistonu 50 n luk bir kuvvet uygulanırsa kaç n luk yük kaldırabilir hacmi 80 metre küp olan kürenin hacminin 5/8 i sıvı içinde kalacak şekilde yüzdüğüne göre küreye etki eden kaldırma kuvveti kaç n tur d sıvı 1 2g cm³ a 6 b 2 c 0 6 d 0 4 ÇÖZÜM

physical science textbook google sites - Feb 10 2023

web lhs physical science textbook download page motion forces chapter 1 the nature of science chapter 2 motion chapter 3 forces and newton s laws unit 2 energy chapter 4 work and energy chapter 5 thermal energy chapter 6 chapter 23 organic compounds chapter 24 new materials through chemistry unit 7 earth

mrs j s physical science page lecture notes - Aug 04 2022

web students of high school physical science and introductory chemistry and physics may find them useful as a supplement to their own class notes or as a review teachers please feel free to use and modify them for your own classes nature of science ch 1 nature of science measurement ch 2 i units of measurement ii graphing iii

physical science concepts in action wysession michael free - Apr 12 2023

web oct 1 2021 physical science concepts in action english xvii 957 pages 29 cm grades 9 12 at head of title prentice hall ch 1 science skills chemistry ch 2 the electromagnetic spectrum and light ch 19 optics ch 20 electricity ch 21 magnetism earth and space science ch 22 earth s interior ch 23 earth s surface

prentice hall physical science chapter 12 flashcards quizlet - Jul 03 2022

web physical science ch 11 motion 23 terms moimemioi glencoe health chapter 18 24 terms prentice hall physical science chapter 10 23 terms hallway65 prentice hall physical science chapter 7 17 terms jacobkeisling other sets by this creator animal cell organelles functions 14 terms lchao lesson 2 dialogue 2 asking about

solved chapter 8 problem 23ra solution prentice hall physical - Nov 07 2022

web access prentice hall physical science 1st edition chapter 8 problem 23ra solution now our solutions are written by chegg experts so you can be assured of the highest quality

prentice hall chemistry online textbook help study com - Jun 02 2022

web sep 8 2023 chapter 23 practice test practice test prentice hall chemistry chapter 23 functional groups ch 24 prentice hall chemistry chapter 24 the chemistry of life

[l incanto del rifugio piccolo elogio della notte copy](#) - Nov 10 2022

web 2 l incanto del rifugio piccolo elogio della notte 2019 12 11 l incanto del rifugio piccolo elogio della notte downloaded from etherpad arts ac uk by guest gianna

l incanto del rifugio piccolo elogio della notte pdf uniport edu - Jul 06 2022

web may 24 2023 l incanto del rifugio piccolo elogio della notte 1 7 downloaded from uniport edu ng on may 24 2023 by guest l incanto del rifugio piccolo elogio della

downloadable free pdfs l incanto del rifugio piccolo elogio - Apr 15 2023

web l incanto del rifugio piccolo elogio della notte from academia to amicitia jul 21 2021 a detailed study of the latin poetry by the 17th century english poet and how it was

l incanto del rifugio piccolo elogio della notte in montagna - Oct 21 2023

web l incanto del rifugio piccolo elogio della notte in montagna è un libro di enrico camanni pubblicato da ediciclo nella collana piccola filosofia di viaggio acquista su ibs a 9 50

l incanto del rifugio piccolo elogio della notte copy - Feb 13 2023

web l incanto del rifugio piccolo elogio della notte il grande nido che ha dato origine al big bang dei buchi neri di stephen hawking aug 29 2020

l incanto del rifugio piccolo elogio della notte pdf blueskywildlife - Dec 31 2021

web della montagna indice dei rifugi rifugio piero garelli 1990 m rifugio vallanta 2450 m rifugio quintino sella 2640 m refuge du glacier blanc 2542 m refuge du

[l incanto del rifugio piccolo elogio della notte pdf uniport edu](#) - Sep 08 2022

web may 9 2023 notte getting the books l incanto del rifugio piccolo elogio della notte now is not type of inspiring means you could not unaided going in the manner of ebook

l incanto del rifugio piccolo elogio della notte - May 04 2022

web 2 l incanto del rifugio piccolo elogio della notte 2020 05 02 lettore le scoperte dell autrice sull affascinante santa maria di collemaggio e una cronaca di eventi

[l incanto del rifugio piccolo elogio della notte in montagna](#) - Sep 20 2023

web l incantesimo svanisce in quell attimo con uno schiaffo del vento sulla faccia si lasciano definitivamente alle spalle il non spazio del rifugio le pigre liturgie della sveglia l odore

l incanto del rifugio piccolo elogio della notte pdf full pdf - Jun 05 2022

web incanto del rifugio piccolo elogio della notte pdf revealing the captivating potential of verbal expression in a period characterized by interconnectedness and an insatiable thirst

l incanto del rifugio piccolo elogio della notte in montagna - Mar 14 2023

web l incanto del rifugio piccolo elogio della notte in montagna è un libro scritto da enrico camanni pubblicato da ediciclo nella collana piccola filosofia di viaggio libracciò it

l incanto del rifugio piccolo elogio della notte pdf uniport edu - Nov 29 2021

web apr 27 2023 it is your totally own mature to take action reviewing habit along with guides you could enjoy now is l incanto del rifugio piccolo elogio della notte below rivista

[l incanto del rifugio ediciclo editore s r l](#) - Jun 17 2023

web l incanto del rifugio piccolo elogio dell ospitalità in montagna collana piccola filosofia di quei momenti che rendono indimenticabili il passaggio in un rifugio come il

l incanto del rifugio piccolo elogio della notte james burgh - Apr 03 2022

web feb 27 2023 as this l incanto del rifugio piccolo elogio della notte it ends stirring visceral one of the favored books l incanto del rifugio piccolo elogio della notte

l incanto del rifugio piccolo elogio della notte in montagna - Dec 11 2022

web l incanto del rifugio piccolo elogio della notte in montagna camanni enrico amazon fr livres

l incanto del rifugio piccolo elogio della notte in montagna - Jan 12 2023

web acquista l incanto del rifugio piccolo elogio della notte in montagna su libreria universitaria spedizione gratuita sopra i 25 euro su libreria universitaria

l incanto del rifugio piccolo elogio della notte pdf - Jul 18 2023

web l incanto del rifugio piccolo elogio della notte elogio del buio alla riscoperta della bellezza della notte in difesa dei ritmi naturali di tutti gli esseri viventi jun 11 2020

il rifugio incanta vol 2 ep apple music - Feb 01 2022

web listen to il rifugio incanta vol 2 ep by coro il rifugio città di seregno on apple music stream songs including valore alpino trentatré ta pum canti del coro il

[l incanto del rifugio piccolo elogio della notte](#) - Mar 02 2022

web l incanto del rifugio piccolo elogio della notte per liberarsi del cane prima lo pugnolano poi l investono con l auto la stampa aug 12 2015 per liberarsi del cane

l incanto del rifugio piccolo elogio della notte in montagna - Aug 19 2023

web scopri l incanto del rifugio piccolo elogio della notte in montagna di camanni enrico spedizione gratuita per i clienti prime e per ordini a partire da 29 spediti da amazon

l incanto del rifugio piccolo elogio della notte françois albéra - Oct 09 2022

web l incanto del rifugio piccolo elogio della notte in montagna enrico camanni 2015 rifugi e bivacchi gli imperdibili delle alpi roberto dini 2018 06 05t00 00 00 02 00

l incanto del rifugio piccolo elogio della notte francesco - Aug 07 2022

web jul 5 2023 l incanto del rifugio piccolo elogio della notte this is likewise one of the factors by obtaining the soft documents of this l incanto del rifugio piccolo elogio

l incanto del rifugio piccolo elogio della notte in montagna - May 16 2023

web l incanto del rifugio piccolo elogio della notte in montagna camanni enrico amazon com au books