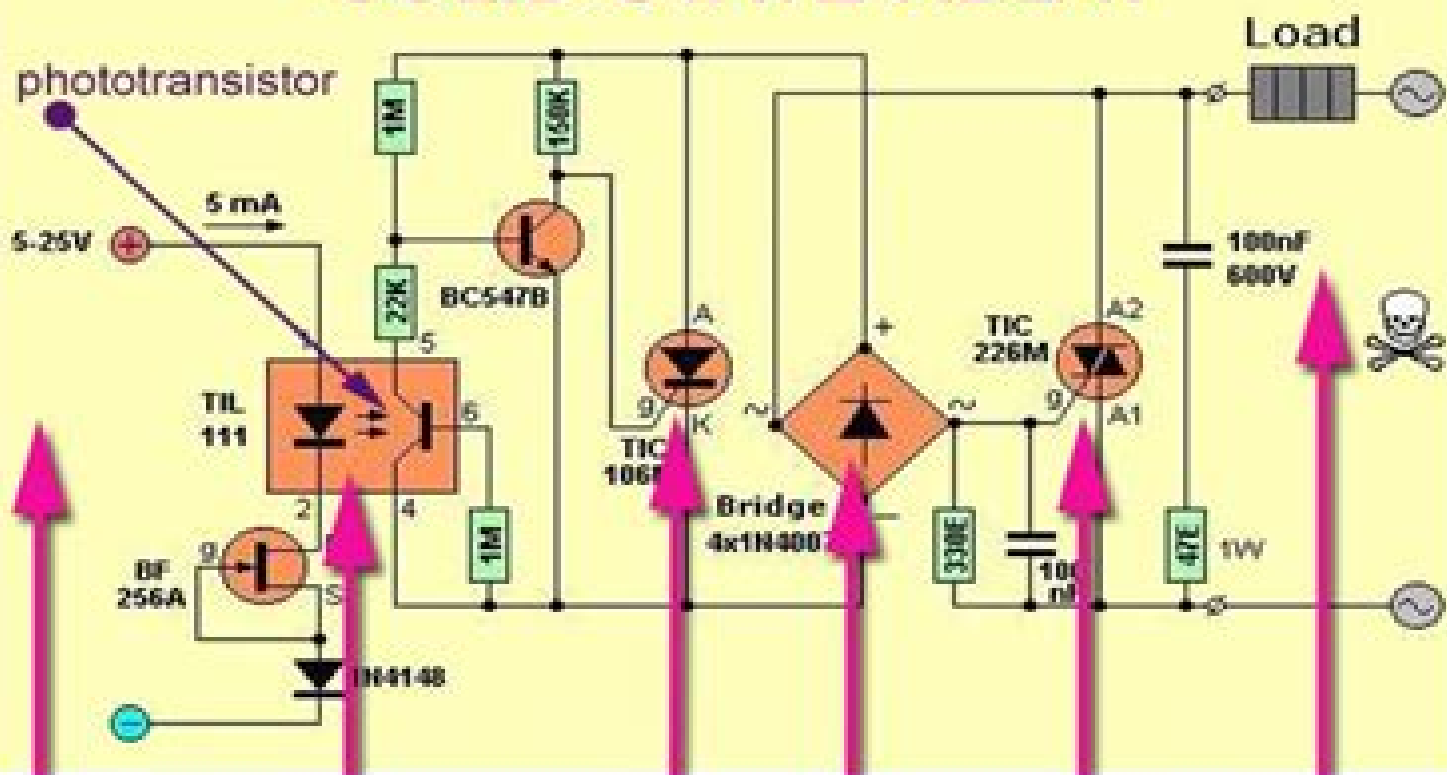


SOLID STATE RELAY



controlled AC source
to load (motor lights)

TRIAC controls AC output

Bridge Rectifier DC source

Thyrister

Opto-coupler isolates low voltage DC from high voltage AC

DC input from switch, sensor or PLC

Solid State Motor Control Package

**Institution of Mechanical Engineers
(Great Britain). Power Industries
Division, Institution of Electrical
Engineers**

Solid State Motor Control Package:

An Assessment of the Navy's Undersea Technology Needs ,1974 Electric Motors and Controls ,1976 **Energy antimonopoly act of 1979, S. 1246** United States. Congress. Senate. Committee on the Judiciary. Subcommittee on Antitrust, Monopoly, and Business Rights,1979 *Machine Design* ,1977 **1992 Census of Manufactures and Census of Mineral Industries** ,1993 *Control Engineering* ,1983 **Switchgear and Control Handbook** Robert W. Smeaton,1987 **Chilton's I & C S** ,1987 *Developments in Variable Speed Drives for Fluid Machinery* Institution of Mechanical Engineers (Great Britain). Power Industries Division,Institution of Electrical Engineers,1981 **The Electrical Review** ,1914 **Paperboard Packaging** ,1977 **Operator, Organizational, Direct Support, General Support, and Depot Maintenance Manual** ,1980 *Design News* ,1996 **Power Transmission Design** ,1996 *Industrial Equipment News* ,1977 *Western Aerospace* ,1959 **Automation** ,1968 **Green Book** ,1986 *Energy* ,1978 A selection of annotated references to unclassified reports and journal articles that were introduced into the NASA scientific and technical information system and announced in Scientific and technical aerospace reports STAR and International aerospace abstracts IAA **Advances in Instrumentation** ,1977

Ignite the flame of optimism with Crafted by is motivational masterpiece, Find Positivity in **Solid State Motor Control Package** . In a downloadable PDF format (PDF Size: *), this ebook is a beacon of encouragement. Download now and let the words propel you towards a brighter, more motivated tomorrow.

https://ftp.thebrandexperience.com/public/book-search/fetch.php/Understanding_Spain.pdf

Table of Contents Solid State Motor Control Package

1. Understanding the eBook Solid State Motor Control Package
 - The Rise of Digital Reading Solid State Motor Control Package
 - Advantages of eBooks Over Traditional Books
2. Identifying Solid State Motor Control Package
 - Exploring Different Genres
 - Considering Fiction vs. Non-Fiction
 - Determining Your Reading Goals
3. Choosing the Right eBook Platform
 - Popular eBook Platforms
 - Features to Look for in an Solid State Motor Control Package
 - User-Friendly Interface
4. Exploring eBook Recommendations from Solid State Motor Control Package
 - Personalized Recommendations
 - Solid State Motor Control Package User Reviews and Ratings
 - Solid State Motor Control Package and Bestseller Lists
5. Accessing Solid State Motor Control Package Free and Paid eBooks
 - Solid State Motor Control Package Public Domain eBooks
 - Solid State Motor Control Package eBook Subscription Services
 - Solid State Motor Control Package Budget-Friendly Options
6. Navigating Solid State Motor Control Package eBook Formats

- ePub, PDF, MOBI, and More
 - Solid State Motor Control Package Compatibility with Devices
 - Solid State Motor Control Package Enhanced eBook Features
7. Enhancing Your Reading Experience
 - Adjustable Fonts and Text Sizes of Solid State Motor Control Package
 - Highlighting and Note-Taking Solid State Motor Control Package
 - Interactive Elements Solid State Motor Control Package
 8. Staying Engaged with Solid State Motor Control Package
 - Joining Online Reading Communities
 - Participating in Virtual Book Clubs
 - Following Authors and Publishers Solid State Motor Control Package
 9. Balancing eBooks and Physical Books Solid State Motor Control Package
 - Benefits of a Digital Library
 - Creating a Diverse Reading Collection Solid State Motor Control Package
 10. Overcoming Reading Challenges
 - Dealing with Digital Eye Strain
 - Minimizing Distractions
 - Managing Screen Time
 11. Cultivating a Reading Routine Solid State Motor Control Package
 - Setting Reading Goals Solid State Motor Control Package
 - Carving Out Dedicated Reading Time
 12. Sourcing Reliable Information of Solid State Motor Control Package
 - Fact-Checking eBook Content of Solid State Motor Control Package
 - Distinguishing Credible Sources
 13. Promoting Lifelong Learning
 - Utilizing eBooks for Skill Development
 - Exploring Educational eBooks
 14. Embracing eBook Trends
 - Integration of Multimedia Elements
 - Interactive and Gamified eBooks

Solid State Motor Control Package Introduction

Solid State Motor Control Package Offers over 60,000 free eBooks, including many classics that are in the public domain. Open Library: Provides access to over 1 million free eBooks, including classic literature and contemporary works. Solid State Motor Control Package Offers a vast collection of books, some of which are available for free as PDF downloads, particularly older books in the public domain. Solid State Motor Control Package : This website hosts a vast collection of scientific articles, books, and textbooks. While it operates in a legal gray area due to copyright issues, its a popular resource for finding various publications. Internet Archive for Solid State Motor Control Package : Has an extensive collection of digital content, including books, articles, videos, and more. It has a massive library of free downloadable books. Free-eBooks Solid State Motor Control Package Offers a diverse range of free eBooks across various genres. Solid State Motor Control Package Focuses mainly on educational books, textbooks, and business books. It offers free PDF downloads for educational purposes. Solid State Motor Control Package Provides a large selection of free eBooks in different genres, which are available for download in various formats, including PDF. Finding specific Solid State Motor Control Package, especially related to Solid State Motor Control Package, might be challenging as theyre often artistic creations rather than practical blueprints. However, you can explore the following steps to search for or create your own Online Searches: Look for websites, forums, or blogs dedicated to Solid State Motor Control Package, Sometimes enthusiasts share their designs or concepts in PDF format. Books and Magazines Some Solid State Motor Control Package books or magazines might include. Look for these in online stores or libraries. Remember that while Solid State Motor Control Package, sharing copyrighted material without permission is not legal. Always ensure youre either creating your own or obtaining them from legitimate sources that allow sharing and downloading. Library Check if your local library offers eBook lending services. Many libraries have digital catalogs where you can borrow Solid State Motor Control Package eBooks for free, including popular titles. Online Retailers: Websites like Amazon, Google Books, or Apple Books often sell eBooks. Sometimes, authors or publishers offer promotions or free periods for certain books. Authors Website Occasionally, authors provide excerpts or short stories for free on their websites. While this might not be the Solid State Motor Control Package full book , it can give you a taste of the authors writing style. Subscription Services Platforms like Kindle Unlimited or Scribd offer subscription-based access to a wide range of Solid State Motor Control Package eBooks, including some popular titles.

FAQs About Solid State Motor Control Package Books

How do I know which eBook platform is the best for me? Finding the best eBook platform depends on your reading preferences and device compatibility. Research different platforms, read user reviews, and explore their features before

making a choice. Are free eBooks of good quality? Yes, many reputable platforms offer high-quality free eBooks, including classics and public domain works. However, make sure to verify the source to ensure the eBook credibility. Can I read eBooks without an eReader? Absolutely! Most eBook platforms offer web-based readers or mobile apps that allow you to read eBooks on your computer, tablet, or smartphone. How do I avoid digital eye strain while reading eBooks? To prevent digital eye strain, take regular breaks, adjust the font size and background color, and ensure proper lighting while reading eBooks. What the advantage of interactive eBooks? Interactive eBooks incorporate multimedia elements, quizzes, and activities, enhancing the reader engagement and providing a more immersive learning experience. Solid State Motor Control Package is one of the best book in our library for free trial. We provide copy of Solid State Motor Control Package in digital format, so the resources that you find are reliable. There are also many Ebooks of related with Solid State Motor Control Package. Where to download Solid State Motor Control Package online for free? Are you looking for Solid State Motor Control Package PDF? This is definitely going to save you time and cash in something you should think about.

Find Solid State Motor Control Package :

understanding spain

understanding jeet kune do

understanding financial statements

~~under the sky learn to read read to learn fun & fantasy~~

understand semiconductor

~~understanding foreign policy decisions the chinese case~~

~~under the sign of pisces~~

understanding fisheries in the south pacific

understanding research methods an overview of the ebentials

understanding dna the molecule and how it works

under this blazing light

understanding paintings

understanding auto technology and repair video series tape 6 how to diagnose automotive electronics problems

understanding aeronautical charts

understanding crop production

Solid State Motor Control Package :

forming sentences hindi learning simplified amazon in - May 12 2023

web language linguistics writing language learning teaching buy new 2 216 00 inclusive of all taxes 30 delivery saturday 4 november order within 17 hrs 16 mins details select delivery location sold by atlantic publishers and distributors and delivered by amazon quantity add to cart buy now secure transaction new 2 from

make hindi sentences hindi learning simplified en 2022 - Mar 30 2022

web learn hindi level 1 introduction to hindi essential hindi grammar learn arabic english hindi speaking 10 000 sentences with useful 46 patterns 3 minute hindi make hindi sentences hindi learning simplified en downloaded from ftp bonide com by guest rhett essence learn hindi sentence structure made easy v s publishers this is

make hindi sentences hindi learning simplified ebook amazon in - Aug 15 2023

web make hindi sentences hindi learning simplified 1 0 edition kindle edition by kavita singh author prayank author format kindle edition learn how to structure the different kinds of basic sentences in hindi including interrogative questions sentences

hindi learning simplified part ii forming sentences goodreads - Dec 27 2021

web kindle 1 99 rate this book hindi learning simplified part ii forming sentences kavita singh prayank with 4 00 2 ratings0 reviews learn how to structure the different kinds of basic sentences in hindi including interrogative questions sentences this learn to speak and understand hindi course lets you

make hindi sentences hindi learning simplified en pdf dotnbm - Jul 02 2022

web learn thai learn hindi through english make hindi sentences hindi learning simplified en downloaded from dotnbm com by guest rigoberto vang learn punjabi english hindi speaking 10 000 sentences with useful 46 patterns university of hawaii press thai is a fun language to learn the problem is most learning materials are costly

make hindi sentences hindi learning simplified en ftp bonide - Feb 26 2022

web hindi phrases make hindi sentences hindi learning simplified en downloaded from ftp bonide com by guest jaidyn petty hindi flash cards kit createspace learn hindi sentence structure made easy is the essential guide to learning hindi for beginners this book is a step by step course designed specifically for learners who are from an english

how to form simple sentences in hindi linguashop com - Jul 14 2023

web how to form simple sentences in hindi you want to learn how to form simple sentences in hindi you ve come to the right place scroll down and see the short hindi lessons complete with useful examples the house is big the book is old we make forming simple hindi sentences easy

the ease of learning with an online hindi class superprof - Mar 10 2023

web hindi sentences by construction hindi sentences by meaning hindi sentence type 1 by construction the sentences that are classified according to their construction can be further divided into three types simple sentences these are called saral vakya in hindi for example ek ladki khel rahi thi a girl was playing

simple sentences in hindi definition and examples - Jan 08 2023

web aug 28 2021 how to make simple sentences in hindi simple sentences of present tense present indefinite tense sentences present continuous tense sentences present perfect tense sentences present perfect continuous tense sentences simple sentences of past tense in hindi past indefinite tense sentences in hindi past

how to create simple sentences in basic hindi level 2 udemy - Apr 11 2023

web how to create simple sentences in basic hindi level 2 course for learning simple hindi sentences formation 0 0 0 ratings 360 students created by think think solutions 7 last updated 11 2021 english what you ll learn using past present future tense in simple tenses formation of simple sentences in hindi

building sentences in hindi superprof - Jun 13 2023

web the affirmative form this type of sentence is used to express something that is true in the example below you will also notice the use of the at the end of the sentence it is called poorn viraam in hindi which simply means full stop john is *make hindi sentences hindi learning simplified en pdf* - Oct 05 2022

web make hindi sentences hindi learning simplified en learn hindi through telugu with cd telugu to hindi learning course may 30 2020 india is a vast country of continental size despite increasing literacy english continues to be the link language for want of acceptable language within the country however hindi still remains the language

make hindi sentences hindi learning simplified ebook - Jan 28 2022

web make hindi sentences hindi learning simplified ebook singh kavita prayank amazon com au kindle store

make hindi sentences hindi learning simplified en 2022 - Jun 01 2022

web learn hindi sentence structure made easy essential hindi hindi learning simplified part ii learn hindi through telugu with cd telugu to hindi learning course learn hindi level 3 beginner hindi english expert translator hindi se english translation mai step by step purn dakshta ke liye hindi language for kids and beginners learn thai

learn how to make hindi sentences easily youtube - Oct 17 2023

web oct 7 2023 learn how to make hindi sentences easily watch and learn hindi 67k subscribers subscribe 3 share 6 views 3 minutes ago hindisentences hindywords hindithroughenglish get

make hindi sentences hindi learning simplified en download - Apr 30 2022

web learn hindi level 1 introduction to hindi 12 varsh vaar ctet paper 1 solved papers 2011 2019 hindi edition make hindi sentences hindi learning simplified en downloaded from careers schellgames com by guest black kody learn hindi through

english lulu com over the years india has become one of the most popular vacation

exploring verb frames for sentence simplification in hindi - Sep 04 2022

web oct 1 2013 this paper addresses the task of simplifying complex sentences in hindi into multiple simple sentences using a rule based approach that utilizes two linguistic resources viz verb demand frames and conjuncts list

[make hindi sentences hindi learning simplified en pdf pdf](#) - Nov 25 2021

web 2017 09 20 learn hindi sentence structure made easy is the essential guide to learning hindi for beginners this book is a step by step course designed specifically for learners who are from an english speaking background

[make hindi sentences hindi learning simplified by kavita singh goodreads](#) - Sep 16 2023

web may 9 2013 this learn to speak and understand hindi course lets you put the words in proper order to form correct sentences check for gender or number mistakes in words used speak out these sentences in correct manner make simple talk with people in hindi put questions to others in hindi arrange hindi words and phrases to create

sentence meaning in hindi [] [] [] [] [] [] [] **translation** - Nov 06 2022

web sentence meaning in hindi get meaning and translation of sentence in hindi language with grammar antonyms synonyms and sentence usages by shabdkhoj know answer of question what is meaning of sentence in hindi sentence ka matalab hindi me kya hai sentence [] [] [] [] [] [] sentence meaning in hindi [] [] [] [] [] [] is

make hindi sentences hindi learning simplified en pdf - Aug 03 2022

web let s learn hindi hindi learning simplified part ii practice makes perfect basic hindi 1000 hindi words sentences spoken hindi through english learn hindi through telugu with cd telugu to hindi learning course learn hindi level 1 introduction to hindi hindi make hindi sentences hindi learning simplified en downloaded from

[make hindi sentences hindi learning simplified en pdf web mei](#) - Dec 07 2022

web number mistakes in words used speak out these sentences in correct manner make simple talk with people in hindi put questions to others in hindi arrange hindi words and phrases to create grammatical and sensible hindi sentences learn hindi writing activity workbook innovative language learning

make hindi sentences hindi learning simplified en kevin lee - Feb 09 2023

web making their own sentences learn hindi level 2 absolute beginner innovative language learning 2017 11 08 interactive effective and fun start speaking hindi in minutes and learn key vocabulary phrases and grammar in just minutes more with learn hindi level 2 absolute beginner a completely new way to learn hindi with ease

australian master tax guide 2022 70th edition wolters kluwer - Aug 08 2023

web the australian master tax guide is australia s leading tax handbook now available online via cch iknowconnect professionals rely on the guide for clear and current

australian master tax guide 2023 72nd edition wolters kluwer - Sep 28 2022

web feb 13 2023 off rrp 240 00 193 35 or 4 easy payments of 48 34 with this item qualifies your order for free delivery add to list in stock we aim to send from

australian master tax guide 2023 72nd edition amazon com - Oct 30 2022

web feb 13 2023 the australian master tax guide is australia s leading tax handbook professionals rely upon the guide for clear concise and current commentary covering

australian master tax guide 72nd edition booktopia - Jan 21 2022

wolters kluwer australia cch australian master tax guide - Oct 10 2023

web australian master tax guide 2022 70th edition the australian master tax guide is australia s leading tax handbook professionals rely upon the guide for clear concise

australian master tax guide 72nd edition 2023 booktopia - Aug 28 2022

web sep 9 2022 the australian master tax guide is australia s leading tax handbook professionals rely upon the guide for clear concise and current commentary covering

australian master tax guide 2023 72nd edition law books - Dec 20 2021

australian master tax guide tax year end 2023 by 10078212 - May 25 2022

web 2022 australian master gst guide 23rd edition book 190 00 inc gst the guide contains practical examples checklists and planning strategies that enable users to find

australian master tax guide 72nd edition 2023 angus - Jul 27 2022

web the australian master tax guide is australias leading tax handbook professionals rely upon the guide for clear concise and current commentary covering the full scope of

australian master tax guide wolters kluwer - Mar 03 2023

web australian master tax guide 2020 66th edition wolters kluwer ebook 185 00 inc gst celebrating 50 years of australian master tax guides by wolters kluwer with

australian master tax guide 2022 70th edition booktopia - Feb 02 2023

web sep 11 2023 product details the australian master tax guide is australia s leading tax handbook professionals rely upon the guide for clear concise and current

australian master tax guide 2023 tax year end 73rd edition - Nov 30 2022

web ebook 250 00 plus gst the australian master tax guide is australia s leading tax handbook professionals rely upon the

guide for clear concise and current commentary
[australian master tax guide 2022 70th edition](#) - Feb 19 2022

web the australian master tax guide is australia s leading tax handbook professionals rely upon the guide for clear concise and current commentary covering the full scope of

australian master tax guide ca anz chartered accountants - Apr 04 2023

web feb 11 2022 the australian master tax guide is australia s leading tax handbook professionals rely upon the guide for clear concise and current commentary covering

australian master tax guide 2020 66th edition wolters kluwer - Jan 01 2023

web jan 1 2023 the 2023 72nd edition of the guide contains authoritative commentary on all aspects of federal income tax including capital gains tax gst fbt fuel tax credits

[2022 australian master gst guide 23rd edition wolters kluwer](#) - Mar 23 2022

web feb 13 2023 the australian master tax guide is australia s leading tax handbook professionals rely upon the guide for clear concise and current commentary covering

australian master tax guide tax year end 71st edition 2022 - Jun 06 2023

web australian master tax guide access authoritative commentary practical examples tax planning points checklists and key tax dates in the cch australia master tax guide

cch iknowconnect the australian master tax guide - Jul 07 2023

web wolters kluwer book 225 00 inc gst the australian master tax guide is australia s leading tax handbook professionals rely upon the guide for clear concise and current

australian master tax guide 2022 tax year end 71st edition - Jun 25 2022

web foundations of taxation law 2019 australian taxation law 2019 the australian tax casebook 2018 and the australian master tax guide 2019 author stephen barkoczy

australian master tax guide 2023 tax year end - May 05 2023

web the australian master tax guide provides practitioners with the latest information on tax developments fully integrated into the book key features benefits comprehensive

australian master tax guide 72nd edition 2023 - Sep 09 2023

web the australian master tax guide is australia s leading tax handbook professionals rely upon the guide for clear concise and current commentary covering the full scope of

[australian master tax guide booktopia](#) - Apr 23 2022

web professionals rely upon the guide for clear concise and current commentary covering the full scope of australian taxation

law the 2022 70 th edition of the australian master

cambridge igcse combined science student s book collins cambridge - Jan 29 2023

web may 4 2017 cambridge igcse combined science student s book collins cambridge igcse 34 99 in stock purchase options and add ons collins cambridge igcse combined science provides full coverage of all core and extended topics in the new syllabus in one book

combined science revision cambridge university press - May 21 2022

web studying for the cambridge igcse combined science qualification can be stressful for students that s why our selection of combined science books and other useful resources have been tailored to take students through their qualifications at a pace that suits them students are empowered to develop their skills in industrial inorganic

cambridge igcse tm combined science student s book collins cambridge - Oct 26 2022

web cambridge igcse tm combined science student s book collins cambridge igcse tm malcolm bradley 34 99 27 99 author malcolm bradley author s malcolm bradley gurinder chadha susan gardner sam goodman sue kearsey chris sunley jackie clegg sarah jinks mike smith gareth price isbn 13 9780008545895

cambridge igcse science combined 0653 - Mar 19 2022

web available in all administrative zones cambridge igcse combined science gives learners the opportunity to study biology chemistry and physics each covered in separate syllabus sections it is a single award qualification earning one grade

cambridge igcse tm combined science student s book - Apr 19 2022

web cambridge igcse tm combined science student s book by author malcolm bradley susan gardner sam goodman sue kearsey chris sunley jackie clegg sarah jinks mike smith gareth price publishers harpercollins publishers

cambridge igcse combined science student book goodreads - Dec 28 2022

web jun 1 2017 collins cambridge igcse combined science provides full coverage of all core and extended topics in the new syllabus in one book carefully developed features including science in context questions science links and more allowing students to build firm scientific knowledge develop practical skills and approach exams with confidence

cambridge igcse combined science student book collins - Jul 23 2022

web cambridge igcse combined science student book collins cambridge igcse bradley malcolm gardner susan goodman sam kearsey sue sunley chris 9780008191542 abebooks

collins cambridge igcse cambridge igcse combined science student s - Aug 04 2023

web oct 1 2019 collins cambridge igcse combined science provides full coverage of all core and extended topics in the new syllabus in one book carefully developed features including science in context questions science links and more allowing students to build firm scientific knowledge develop practical skills and approach exams with confidence

cambridge igcsetm combined science student s book collins cambridge - Mar 31 2023

web collins cambridge igcse combined science provides full coverage of all core and extended topics in the new syllabus in one book carefully developed features including science in

cambridge igcse tm combined science student s book collins cambridge - Sep 05 2023

web collins cambridge igcse r combined science provides full coverage of all core and extended topics in the new syllabus in one book carefully developed features including science in

cambridge igcse combined science student book - Oct 06 2023

web student book bradley malcolm author free download borrow and streaming internet archive cambridge igcse combined science student book by bradley malcolm author publication date 2017 topics science study and teaching secondary international general certificate of secondary education study guides

cambridge igcse combined science student s book collins cambridge - Aug 24 2022

web amazon sold by amazon item can be returned in its original condition for a full refund or replacement within 30 days of receipt see all 3 images follow the author malcolm bradley cambridge igcse combined science student s book collins

cambridge igcse paperback 2 mar 2023

cambridge igcse tm combined science student s book google books - May 01 2023

web collins cambridge igcsetm combined science provides full coverage of all core and supplement topics in the revised syllabus carefully developed features including plentiful questions worked

collins cambridge igcse cambridge igcse combined science student s - Jun 02 2023

web mar 2 2023 description full teacher support to accompany the cambridge igcsetm combined science student s book for the revised syllabus 0653 the teacher s guide includes lesson plans worksheets practical instructions technician s notes and more to enable you to deliver a successful and effective course

cambridge igcse tm combined science student s book - Nov 26 2022

web collins cambridge igcsetm combined science provides full coverage of all core and supplement topics in the revised syllabus carefully developed features including plentiful questions worked examples key terms and more allow students to build firm scientific knowledge develop practical skills and approach exams with confidence

cambridge igcse combined science student s book - Feb 15 2022

web mar 2 2023 collins cambridge igcsetm combined science provides full coverage of all core and supplement topics in the revised syllabus carefully developed features including plentiful questions worked examples key terms and more allow students to build firm scientific knowledge develop practical skills and approach exams with confidence

cambridge igcse combined science student s book - Jun 21 2022

web may 4 2017 buy cambridge igcse combined science student s book by malcolm bradley susan gardner from waterstones today click and collect from your local waterstones or get free uk delivery on orders over 25

cambridge igcse science combined 0653 - Jul 03 2023

web description supports the full syllabus for examination from 2019 this interdisciplinary coursebook comprehensively covers the knowledge and skills required for the cambridge igcse combined and coordinated science courses with the content for each syllabuses clearly identified for learners

collins cambridge igcse combined science student s book - Feb 27 2023

web nov 14 2022 read collins cambridge igcse combined science student s book 2nd edition by collins on issuu and browse thousands of other publications on our

cambridge igcse combined science student s ebook collins cambridge - Sep 24 2022

web cambridge igcse combined science student s ebook collins cambridge igcse ebook amazon co uk books