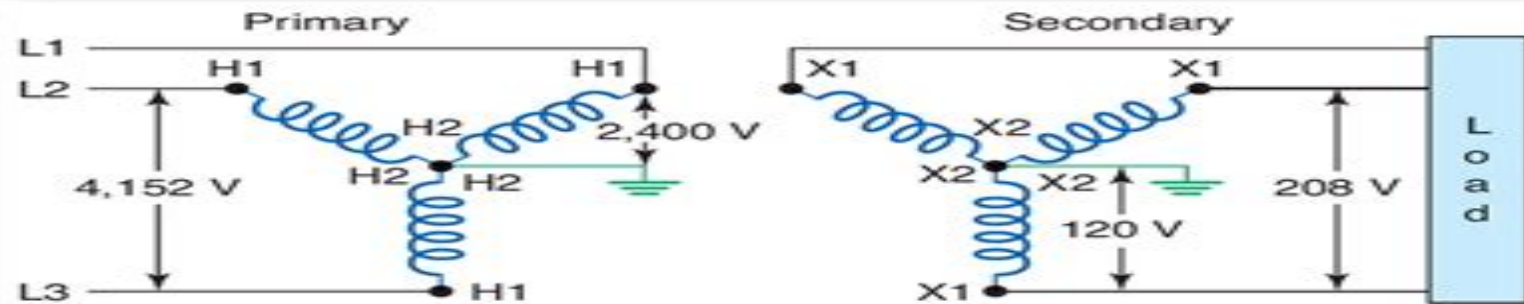
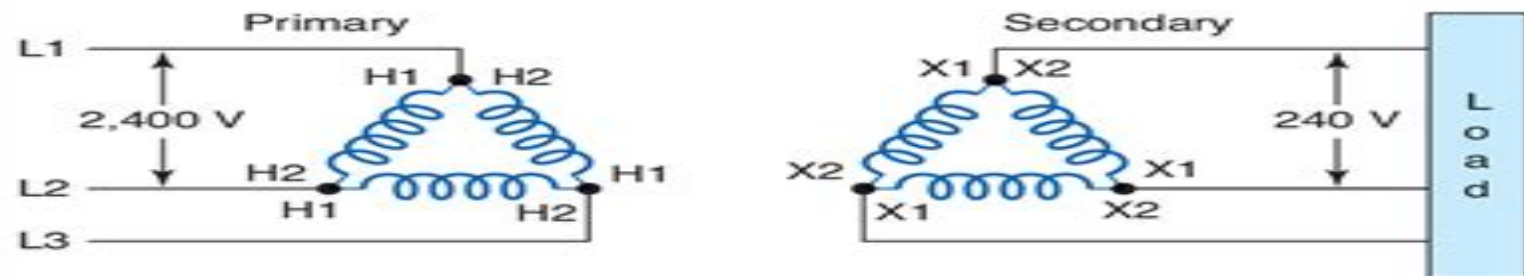


# Electrical Workbook

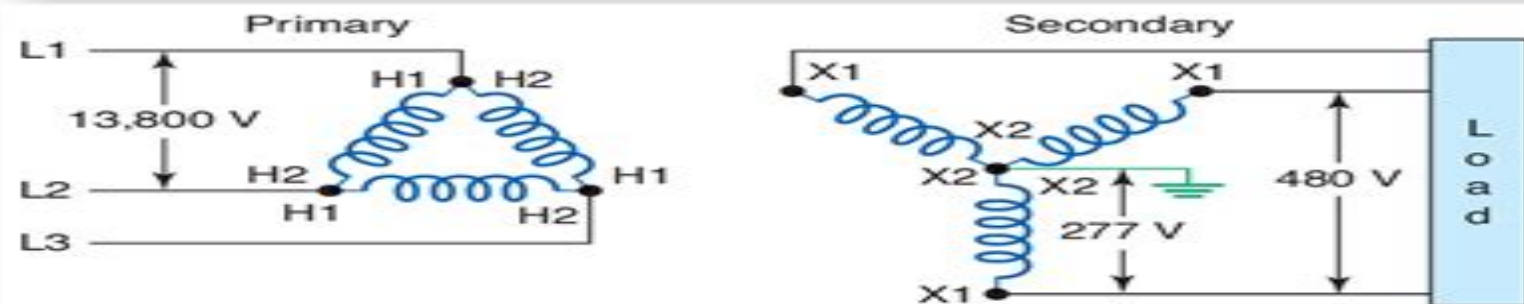
**Three-Phase Transformers connections** are named after the way the windings are connected inside the transformer. Polarity markings are fixed on any transformer and the connections are made in accordance with them.



Wye-wye three-phase transformer connection



Delta-delta three-phase transformer connection



Delta-wye three-phase transformer connection

# Three Phase

**J Rink**



**Three Phase:**

As recognized, adventure as capably as experience virtually lesson, amusement, as competently as union can be gotten by just checking out a book **Three Phase** then it is not directly done, you could agree to even more nearly this life, not far off from the world.

We allow you this proper as capably as easy quirk to get those all. We pay for Three Phase and numerous books collections from fictions to scientific research in any way. in the course of them is this Three Phase that can be your partner.

<https://ftp.thebrandexperience.com/public/book-search/default.aspx/Roblox%20Horror%20Ideas.pdf>

## **Table of Contents Three Phase**

1. Understanding the eBook Three Phase
  - The Rise of Digital Reading Three Phase
  - Advantages of eBooks Over Traditional Books
2. Identifying Three Phase
  - Exploring Different Genres
  - Considering Fiction vs. Non-Fiction
  - Determining Your Reading Goals
3. Choosing the Right eBook Platform
  - Popular eBook Platforms
  - Features to Look for in an Three Phase
  - User-Friendly Interface
4. Exploring eBook Recommendations from Three Phase
  - Personalized Recommendations
  - Three Phase User Reviews and Ratings
  - Three Phase and Bestseller Lists
5. Accessing Three Phase Free and Paid eBooks
  - Three Phase Public Domain eBooks

- Three Phase eBook Subscription Services
- Three Phase Budget-Friendly Options
- 6. Navigating Three Phase eBook Formats
  - ePub, PDF, MOBI, and More
  - Three Phase Compatibility with Devices
  - Three Phase Enhanced eBook Features
- 7. Enhancing Your Reading Experience
  - Adjustable Fonts and Text Sizes of Three Phase
  - Highlighting and Note-Taking Three Phase
  - Interactive Elements Three Phase
- 8. Staying Engaged with Three Phase
  - Joining Online Reading Communities
  - Participating in Virtual Book Clubs
  - Following Authors and Publishers Three Phase
- 9. Balancing eBooks and Physical Books Three Phase
  - Benefits of a Digital Library
  - Creating a Diverse Reading Collection Three Phase
- 10. Overcoming Reading Challenges
  - Dealing with Digital Eye Strain
  - Minimizing Distractions
  - Managing Screen Time
- 11. Cultivating a Reading Routine Three Phase
  - Setting Reading Goals Three Phase
  - Carving Out Dedicated Reading Time
- 12. Sourcing Reliable Information of Three Phase
  - Fact-Checking eBook Content of Three Phase
  - Distinguishing Credible Sources
- 13. Promoting Lifelong Learning
  - Utilizing eBooks for Skill Development
  - Exploring Educational eBooks

## 14. Embracing eBook Trends

- Integration of Multimedia Elements
- Interactive and Gamified eBooks

### **Three Phase Introduction**

In this digital age, the convenience of accessing information at our fingertips has become a necessity. Whether its research papers, eBooks, or user manuals, PDF files have become the preferred format for sharing and reading documents. However, the cost associated with purchasing PDF files can sometimes be a barrier for many individuals and organizations. Thankfully, there are numerous websites and platforms that allow users to download free PDF files legally. In this article, we will explore some of the best platforms to download free PDFs. One of the most popular platforms to download free PDF files is Project Gutenberg. This online library offers over 60,000 free eBooks that are in the public domain. From classic literature to historical documents, Project Gutenberg provides a wide range of PDF files that can be downloaded and enjoyed on various devices. The website is user-friendly and allows users to search for specific titles or browse through different categories. Another reliable platform for downloading Three Phase free PDF files is Open Library. With its vast collection of over 1 million eBooks, Open Library has something for every reader. The website offers a seamless experience by providing options to borrow or download PDF files. Users simply need to create a free account to access this treasure trove of knowledge. Open Library also allows users to contribute by uploading and sharing their own PDF files, making it a collaborative platform for book enthusiasts. For those interested in academic resources, there are websites dedicated to providing free PDFs of research papers and scientific articles. One such website is Academia.edu, which allows researchers and scholars to share their work with a global audience. Users can download PDF files of research papers, theses, and dissertations covering a wide range of subjects. Academia.edu also provides a platform for discussions and networking within the academic community. When it comes to downloading Three Phase free PDF files of magazines, brochures, and catalogs, Issuu is a popular choice. This digital publishing platform hosts a vast collection of publications from around the world. Users can search for specific titles or explore various categories and genres. Issuu offers a seamless reading experience with its user-friendly interface and allows users to download PDF files for offline reading. Apart from dedicated platforms, search engines also play a crucial role in finding free PDF files. Google, for instance, has an advanced search feature that allows users to filter results by file type. By specifying the file type as "PDF," users can find websites that offer free PDF downloads on a specific topic. While downloading Three Phase free PDF files is convenient, its important to note that copyright laws must be respected. Always ensure that the PDF files you download are legally available for free. Many authors and publishers voluntarily provide free PDF versions of their work, but its essential to be cautious and verify the authenticity of the source

before downloading Three Phase. In conclusion, the internet offers numerous platforms and websites that allow users to download free PDF files legally. Whether its classic literature, research papers, or magazines, there is something for everyone. The platforms mentioned in this article, such as Project Gutenberg, Open Library, Academia.edu, and Issuu, provide access to a vast collection of PDF files. However, users should always be cautious and verify the legality of the source before downloading Three Phase any PDF files. With these platforms, the world of PDF downloads is just a click away.

### **FAQs About Three Phase Books**

How do I know which eBook platform is the best for me? Finding the best eBook platform depends on your reading preferences and device compatibility. Research different platforms, read user reviews, and explore their features before making a choice. Are free eBooks of good quality? Yes, many reputable platforms offer high-quality free eBooks, including classics and public domain works. However, make sure to verify the source to ensure the eBook credibility. Can I read eBooks without an eReader? Absolutely! Most eBook platforms offer webbased readers or mobile apps that allow you to read eBooks on your computer, tablet, or smartphone. How do I avoid digital eye strain while reading eBooks? To prevent digital eye strain, take regular breaks, adjust the font size and background color, and ensure proper lighting while reading eBooks. What the advantage of interactive eBooks? Interactive eBooks incorporate multimedia elements, quizzes, and activities, enhancing the reader engagement and providing a more immersive learning experience. Three Phase is one of the best book in our library for free trial. We provide copy of Three Phase in digital format, so the resources that you find are reliable. There are also many Ebooks of related with Three Phase. Where to download Three Phase online for free? Are you looking for Three Phase PDF? This is definitely going to save you time and cash in something you should think about. If you trying to find then search around for online. Without a doubt there are numerous these available and many of them have the freedom. However without doubt you receive whatever you purchase. An alternate way to get ideas is always to check another Three Phase. This method for see exactly what may be included and adopt these ideas to your book. This site will almost certainly help you save time and effort, money and stress. If you are looking for free books then you really should consider finding to assist you try this. Several of Three Phase are for sale to free while some are payable. If you arent sure if the books you would like to download works with for usage along with your computer, it is possible to download free trials. The free guides make it easy for someone to free access online library for download books to your device. You can get free download on free trial for lots of books categories. Our library is the biggest of these that have literally hundreds of thousands of different products categories represented. You will also see that there are specific sites catered to different product types or categories, brands or niches related with Three Phase. So depending on what exactly you are searching, you will be able to

choose e books to suit your own need. Need to access completely for Campbell Biology Seventh Edition book? Access Ebook without any digging. And by having access to our ebook online or by storing it on your computer, you have convenient answers with Three Phase To get started finding Three Phase, you are right to find our website which has a comprehensive collection of books online. Our library is the biggest of these that have literally hundreds of thousands of different products represented. You will also see that there are specific sites catered to different categories or niches related with Three Phase So depending on what exactly you are searching, you will be able to choose ebook to suit your own need. Thank you for reading Three Phase. Maybe you have knowledge that, people have search numerous times for their favorite readings like this Three Phase, but end up in harmful downloads. Rather than reading a good book with a cup of coffee in the afternoon, instead they juggled with some harmful bugs inside their laptop. Three Phase is available in our book collection an online access to it is set as public so you can download it instantly. Our digital library spans in multiple locations, allowing you to get the most less latency time to download any of our books like this one. Merely said, Three Phase is universally compatible with any devices to read.

### **Find Three Phase :**

[roblox horror ideas](#)

*roblox horror best*

[top roblox codes](#)

**top roblox tycoon**

[roblox simulator ideas](#)

**top roblox horror**

[roblox survival framework](#)

[ideas roblox simulator](#)

~~roblox survival tutorial~~

*ideas roblox building*

*roblox limiteds ebook*

**roblox limiteds tutorial**

**roblox marketplace best**

[top roblox parkour](#)

**trending roblox survival**

**Three Phase :**

The Human Tradition in the New South (The Human ... - Amazon The Human Tradition in the New South (The Human Tradition in America) [Klotter, James C., Anderson, David M., Conkin, Paul K., Cook, Cita, Davis, ... The Human Tradition in the New South - Barnes & Noble In The Human Tradition in the New South, historian James C. Klotter brings together twelve biographical essays that explore the region's political, Amazon.com: The Human Tradition in the New South (The ... Amazon.com: The Human Tradition in the New South (The Human Tradition in America): 9780742544765: Klotter, James C., Anderson, David L., Conkin, Paul K., ... The Human Tradition in the New South by James C. Klotter In The Human Tradition in the New South, historian James C. Klotter brings together twelve biographical essays that explore the region's political, The Human Tradition in the New South book by James C. Klotter In The Human Tradition in the New South, historian James C. Klotter brings together twelve biographical essays that explore the region's political, ... The Human Tradition in the New South - Books-A-Million The Human Tradition in the New South | In The Human Tradition in the New South, historian James C. Klotter brings together twelve biographical essays that ... The Human Tradition in the New South [Premium Leather ... ... The Human Tradition in the New South, historian James C. Klotter brings together twelve biographical essays that explore the region's political, economic ... The Human Tradition in the New South by James C. Klotter Jan 1, 2005 — Read reviews from the world's largest community for readers. In The Human Tradition in the New South, historian James C. Klotter brings ... The Human Tradition in the New South by James C Klotter: New ... The Human Tradition in the New South by James C Klotter: New. Be the first to write a review. alibrisbooks 98.7% Positive feedback. The Human Tradition in the New South eBook by David L ... In The Human Tradition in the New South, historian James C. Klotter brings together twelve biographical essays that explore the region's political, ... The Logic Book, Sixth Edition ... answer is fairly simple. We want a derivation system to be truth-preserving ... key also gives the English readings of the predicates of PL we will use in ... The Logic Book 6th Edition Textbook Solutions Unlike static PDF The Logic Book 6th Edition solution manuals or printed answer keys, our experts show you how to solve each problem step-by-step. No need ... Student Solutions Manual To learn more about the book this website supports, please visit its Information Center. Patt, Online Learning Center. Instructor Edition. Student Edition ... The Logic Book Information Center: - Mheducation - McGraw Hill The Logic Book is a leading text for symbolic logic courses that presents all concepts and techniques with clear, comprehensive explanations. The Logic Book - 6th Edition - Solutions and Answers Find step-by-step solutions and answers to The Logic Book - 9781259412899, as well as thousands of textbooks so you can move forward with confidence. The logic book 6th edition The logic book 6th edition answer key. The logic book 6th edition solutions. The logic book 6th edition answers. The logic book 6th edition solutions pdf. The Logic Book with Student Solutions Manual This outstanding book is a leading text for symbolic or formal logic courses All techniques and concepts are presented with clear, ... Exercises 7 4 - The Logic Book: 6th Edition Insert at end... Use the

following symbolization key to translate sentences a-r into fluent ... Which answer is a translation of this natural language sentence into formal logic? Introduction to Logic II). Homework— The Logic Book (6e), Chapter 7. Review answers for 7.3 #2-4 (p. 294-6). Here is the portion of the student solutions manual for the relevant ... The Logic Book 6th edition Plus Solution Manual The Logic Book 6th edition Plus Solution Manual ; bunniscloset (25) ; Approx. £39.92. + £4.33 postage ; Item description from the sellerItem description from the ... Singer Machine Manuals Find the Manual for your Sewing Machine, Embroidery Machine, Serger/Overlock, Quilting Machine, and More. Singer 2818 Manuals Manuals and User Guides for Singer 2818. We have 4 Singer 2818 manuals available for free PDF download: Service Manual, Manual, Instruction Book · English. 6. Support Printed manuals are no longer available. For easy access, please enter your model number to view and download your manual. Don't know your model number? Singer 2818 Instruction Manual We've got you covered! This instruction manual is the ultimate guide to unlock the full potential of your Singer 2818. No more confusion or frustration—just ... SINGER® Instruction Manuals for Sewing Machines and ... Find comprehensive instruction manuals for SINGER® range of new & old sewing machines, appliances & accessories. Get the guidance you need for seamless ... Singer Sewing Machine Manuals Singer's Sewing Skills Reference Book (28 MB); Singer's Reference Book for Sewing Skills. Information on your machine, its attachments, and how to use them. Singer 2802 2808 2818 Instruction Manuals or Service & ... Service manual and Parts / Schematics for Singer 2852, 2858, 2868. 2 PDF files: HIGHEST QUALITY CLEAR COPIES of original Singer Service / Repair manual (114 ... Over 350 Free Industrial Sewing Machine Manuals Over 350 Free Industrial Sewing Machine Manuals. Link to Singer domestic machine instruction books - FREE downloads User manual Singer SIMPLE (English - 62 pages) Manual. View the manual for the Singer SIMPLE here, for free. This manual comes under the category sewing machines and has been rated by 30 people with an ... HOW TO DOWNLOAD FREE SINGER SEWING MACHINE ...